

2020



**GEARBOX AND DIFFERENTIAL
SPARE PARTS**

Gearbox and Differential spare parts
suitable to :

VOLVO

AT/ATO 2612D

AT/ATO 2612E

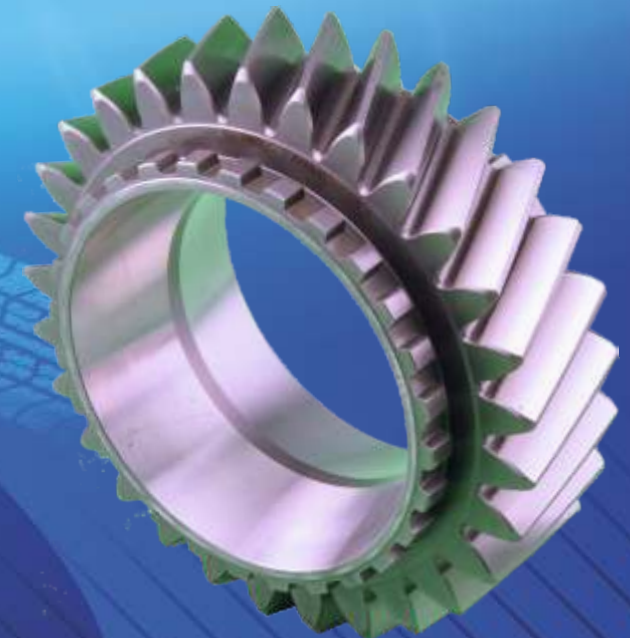
AT/ATO 2612F

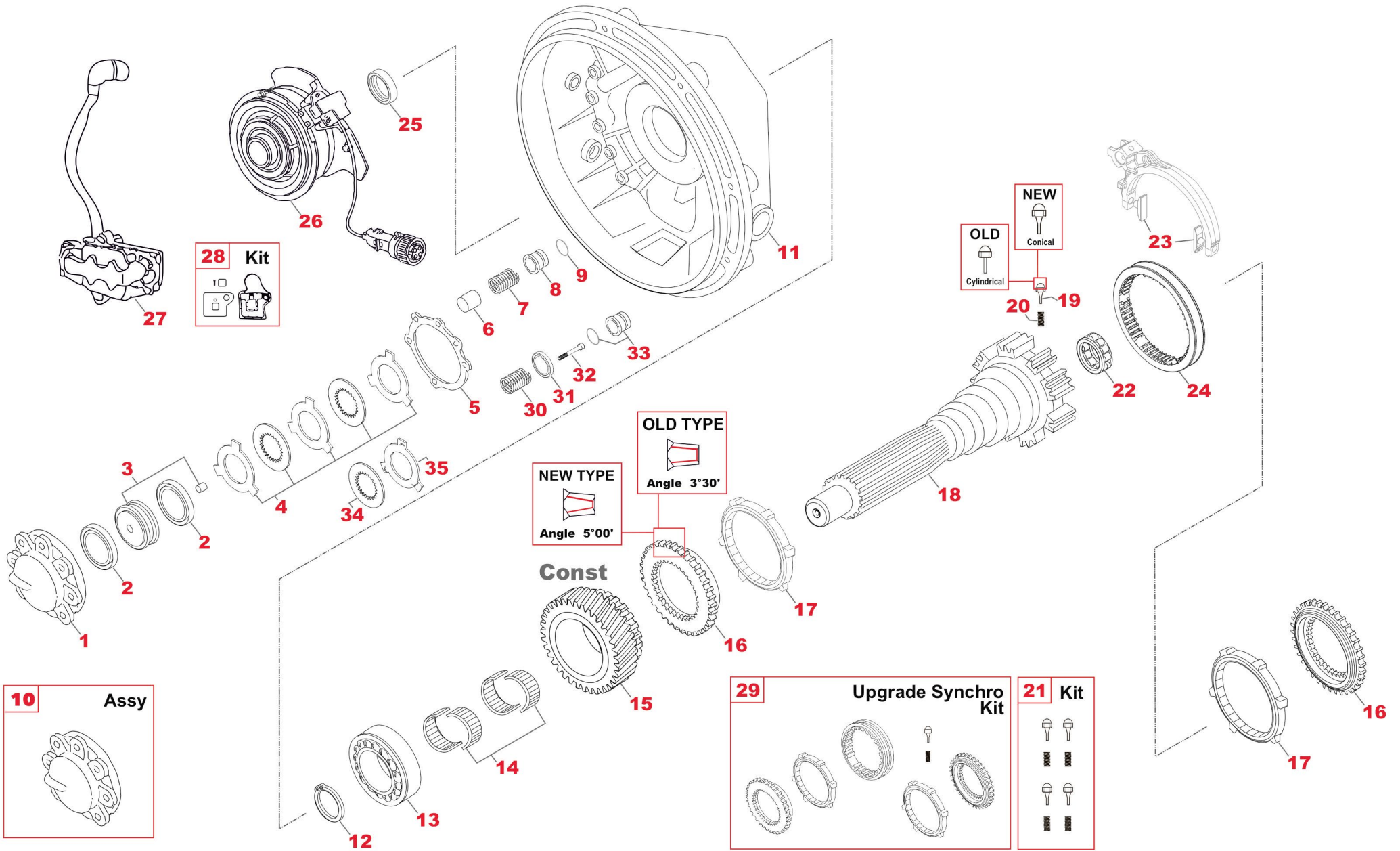
FH/FM Version 1

FH/FM Version 2

FMX - VAH - VHD - VN

Engine EURO IV & V & VI





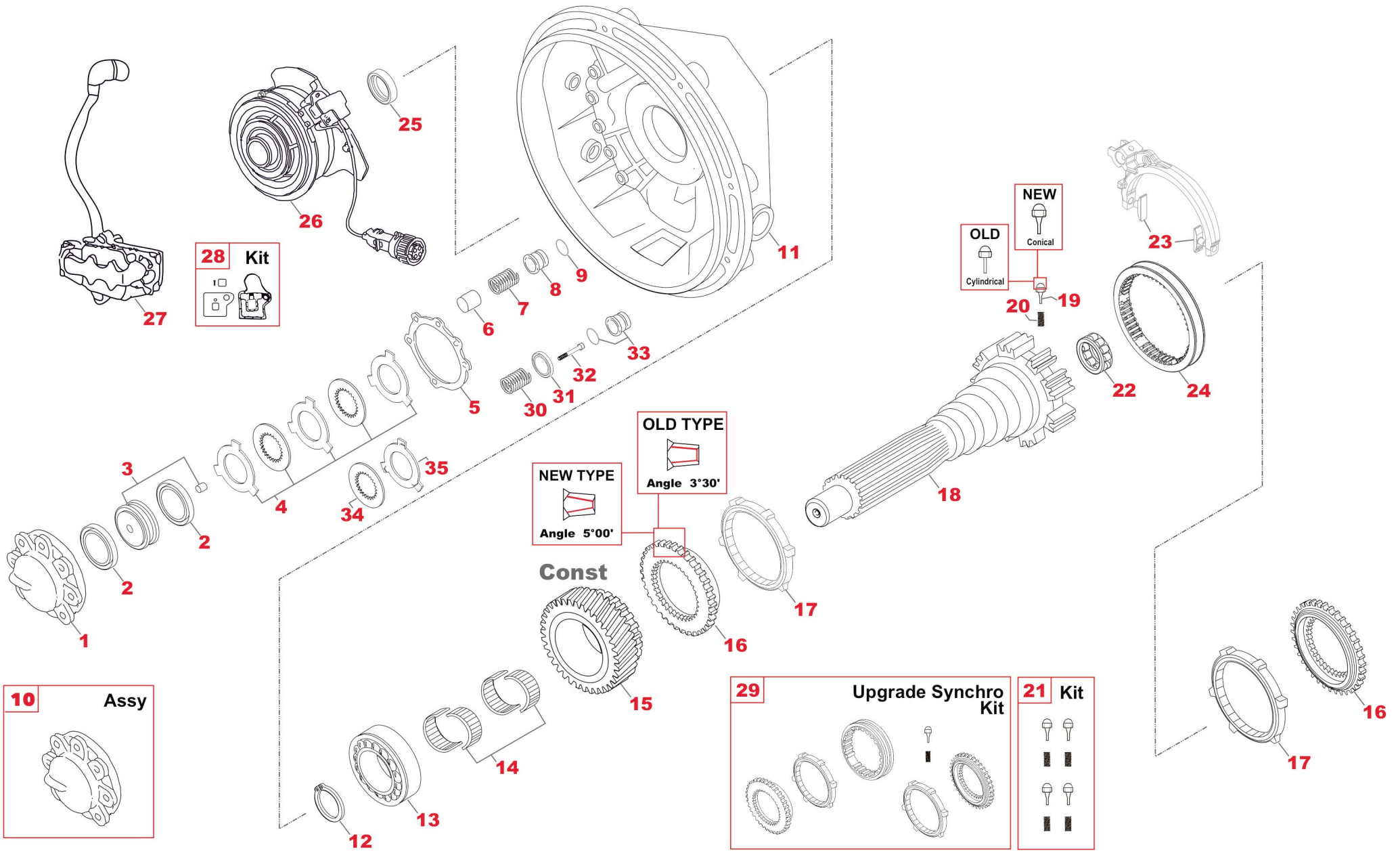
CH	FIG.	TAS no.	OEM no.	Description	Qty	Note	Note1	Ex/ Cross	Ex/ Cross
C01	1	T59455	20483327	COVER	1		"D-E" Type		
C01	1	T65304	22617685	COVER	1		"F" Type		
C01	2	T47328	3192614	OIL SEAL RING (91X74,8X5,5)	2				
C01	3	T78262	22312634	PISTON	1		"D-E" Type	21011563	8171302
C01	3	T65307	22249234	PISTON	1		"F" Type		
C01	4	T78263	21666546	DISCS KIT	1		"D-E" Type	21054210	8172818
C01	4	T65309	22678842	DISCS KIT	1		"F" Type		
C01	5	T59458	20497205	GASKET	1				
C01	6	T63667	3192575	PLUNGER	1		"D-E" Type		
C01	7	T73533	8171668	SPRING (14,6X2,5X23,7)	1		"D-E" Type		
C01	8	T78264	3192573	BACKSTOP	1		"D-E" Type		
C01	9	T51251	949657	O-RING (22,2X3)	1		"D-E" Type		
C01	10	T41890	TAS41890	REPAIR KIT	1	ASSY	"D-E" Type		
C01	10	T65315	TAS65315	REPAIR KIT	1	ASSY	"F" Type		
C01	11	T63390	22538397	HOUSING GEARBOX FRONT	1		AT2612	21679941	21103393
C01	11	T63388	22538396	HOUSING GEARBOX FRONT	1		ATO2612	21497775	21497778
C01	12	T46222	1521473	RETAINER RING (T.3,20)	1				
C01	12	T46223	1521474	RETAINER RING (T.3,30)	1				

Notes

- (A) To be coupled together (Version with 3° 30' Conical Angle)
 (B) To be coupled together (Version with 5° 00' Conical Angle)



TRACTOR AUTOMOBILE SPARES
 A WORLD OF QUALITY PARTS



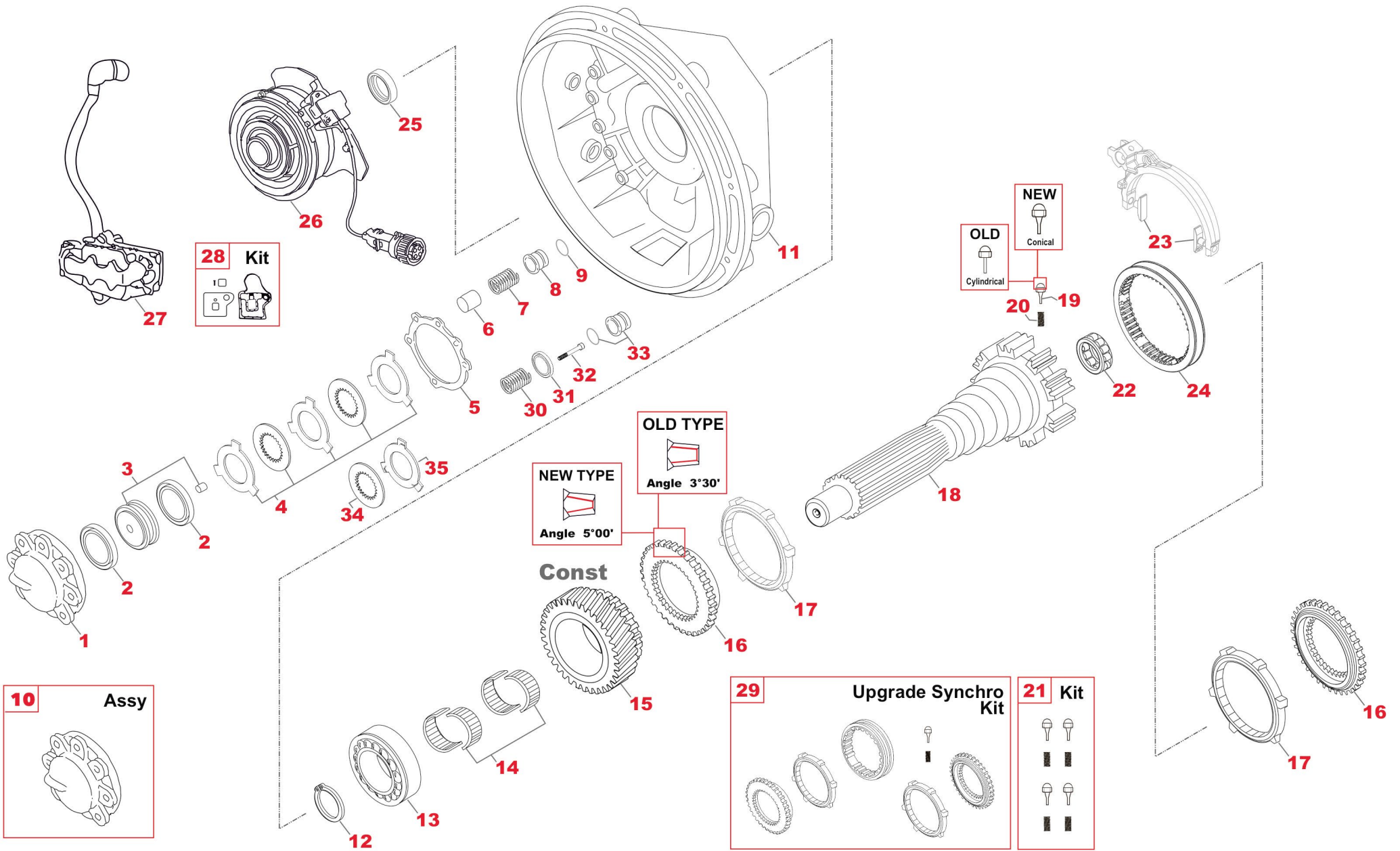
CH	FIG.	TAS no.	OEM no.	Description	Qty	Note	Note1	Ex/ Cross	Ex/ Cross
C01	12	T46224	1521475	RETAINER RING (T.3,40)	1				
C01	12	T46225	1521476	RETAINER RING (T.3,50)	1				
C01	13	T49566	21626057	TAPERED ROLLER BEARING (85X150X38,5)	1		AT2612	21553211	20483340
C01	13	T63305	21626063	TAPERED ROLLER BEARING (85X150X30,5)	1		ATO2612		
C01	14	T46211	1654088	NEEDLE BEARING 2PCS (92X100X27)	1			21652566	1652566
C01	15	T18278	20776783	CONSTANT GEAR (31-28T.)	1		AT2612	20854441	1521416
C01	15	T49567	20776790	CONSTANT GEAR (28-40T.)	1		ATO2612		
C01	16	T18263	1673541	SYNCHRO CONE (54-28T.)	2	(A)	OLD TYPE	21673541	
C01	16	T19359	21994372	SYNCHRO CONE (54-28T.)	2	(B)	NEW TYPE	20760515	
C01	17	T18081	21992993	SYNCHRO RING	2			1521438	8171737
C01	18	T49568	22392450	INPUT SHAFT W/PINS+SPRINGS	1	24 SPLINES	With Kit Fig. 21	20771702	
C01	18	T49569	20771700	INPUT SHAFT W/PINS+SPRINGS	1	24 SPLINES	With Kit Fig. 21	22358444	221368430
C01	18	T41377	22352397	INPUT SHAFT	1	24 SPLINES	With Kit Fig. 21	22168430	
C01	19	T18280	20766774	PRESSURE PLUNGER	4		CONICAL TYPE	1521966	
C01	20	T18279	21140387	SPRING	4			20845477	20771480
C01	21	T65048	21141850	KIT PINS+SPRINGS	1			20805870	20845497
C01	22	T23884	1656116	TAPERED ROLLER BEARING (40X38)	1				
C01	23	T59469	8171537	SLIDING BLOCK (BRONZE)	2			8172508	

Notes

- (A) To be coupled together (Version with 3° 30' Conical Angle)
(B) To be coupled together (Version with 5° 00' Conical Angle)



TRACTOR AUTOMOBILE SPARES
A WORLD OF QUALITY PARTS



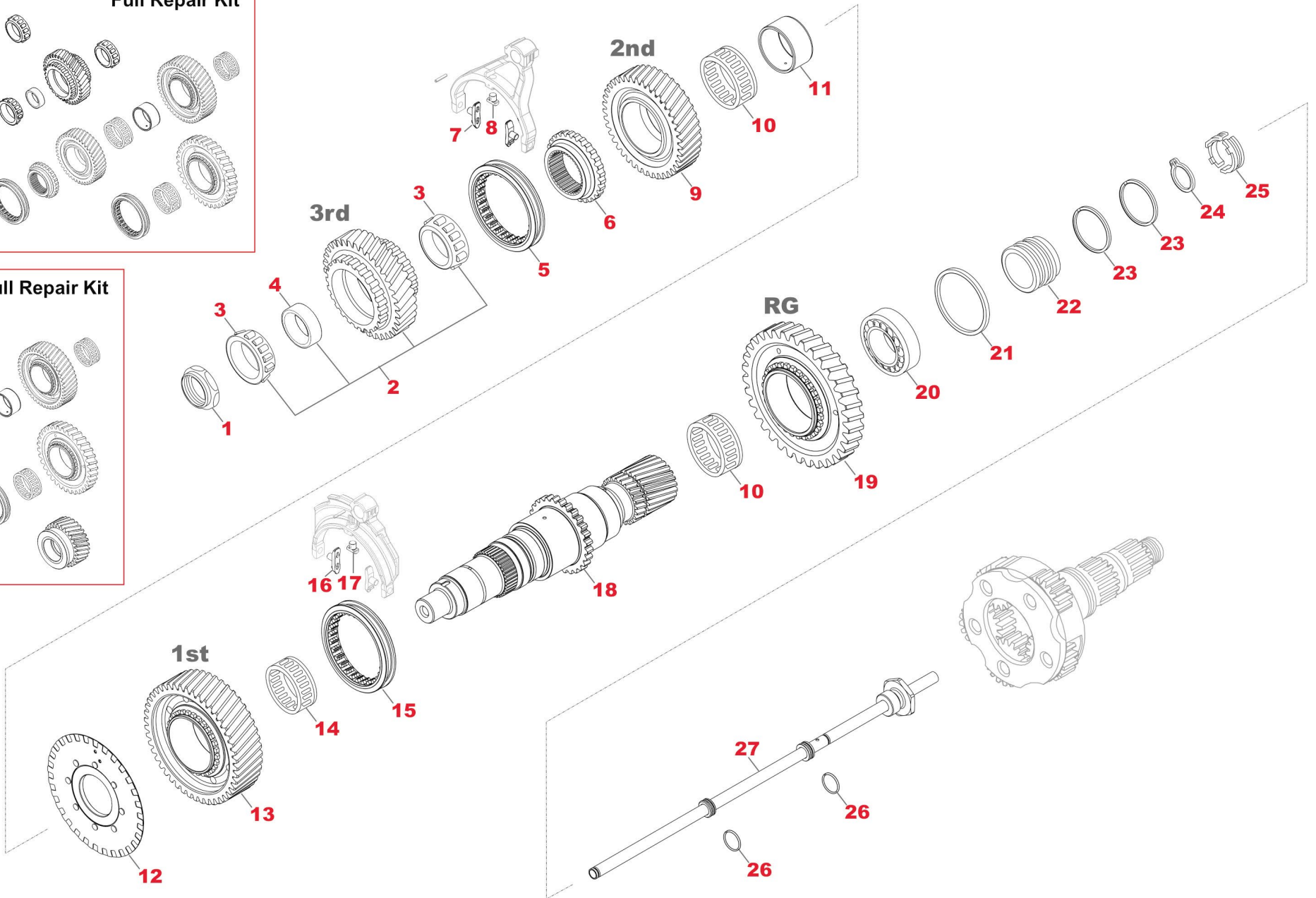
CH	FIG.	TAS no.	OEM no.	Description	Qty	Note	Note1	Ex/ Cross	Ex/ Cross
C01	24	T19357	1673540	SYNCHRO SLIDING SLEEVE (54T.)	1	(A)	OLD TYPE	21673540	
C01	24	T19358	21994373	SYNCHRO SLIDING SLEEVE (54T.)	1	(B)	NEW TYPE	20760512	
C01	25	T49565	20483426	OIL SEAL RING (57,5X13X90/99)	1				
C01	26	T58799	23417523	CYLINDER	1		AT2612	21580956	21580977
C01	26	T63362	85003686	CYLINDER	1		ATO2612	21580965	21934653
C01	27	T88574	22327072	VALVE	1		"D" Type	21965253	21710522
C01	27	T41809	22327072	VALVE	1		"E-F" Type	21965284	
C01	28	T55284	20739643	KIT FOR SOLENOID VALVE	1				
C01	29	T93470	TAS93470	SYNCHRO KIT	1	(A)	OLD TYPE		
C01	29	T73852	21671426	SYNCHRO KIT	1	(B)	NEW TYPE		
C01	30	T65310	22197435	SPRING	1		"F" Type		
C01	31	T65312	20744144	WASHER	1		"F" Type		
C01	32	T65311	994501	SCREW	1		"F" Type		
C01	33	T65314	22503041	SPRING KIT	1		"F" Type		
C01	34	T65313	22550015	WASHER	1		"F" Type		
C01	35	T65588	22617655	WASHER	1		"F" Type		

Notes

- (A) To be coupled together (Version with 3° 30' Conical Angle)
(B) To be coupled together (Version with 5° 00' Conical Angle)



TRACTOR AUTOMOBILE SPARES
A WORLD OF QUALITY PARTS

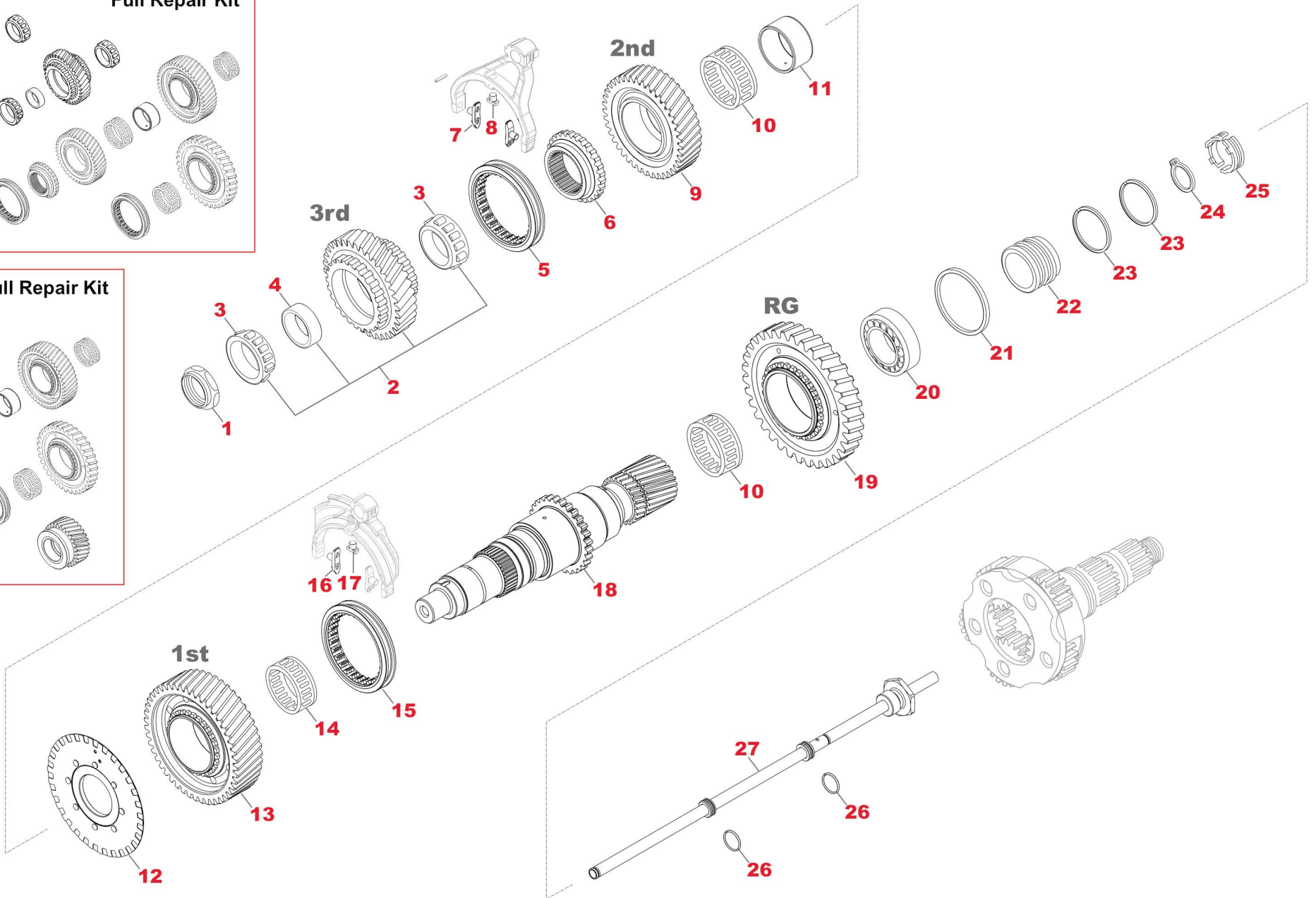


CH	FIG.	TAS no.	OEM no.	Description	Qty	Note	Note1	Ex/ Cross	Ex/ Cross
C02	1	T46216	1521449	NUT M60X2	1				
C02	2	T84056	22499139	3RD SPEED GEAR KIT (28-35T.)	1			20771311	20532210
C02	3	T20623	1521596	TAPERED ROLLER BEARING (65X34)	2				
C02	4	T20621	1521657	SPACER (T.10,26)	1				
C02	5	T49648	22368562	SYNCHRO SLIDING SLEEVE (28T.)	1			20532224	22004974
C02	6	T49649	20532220	SYNCHRO HUB (28-37T.)	1				
C02	7	T59471	3152823	SLIDING BLOCK (BRONZE)	2				
C02	8	T59473	20542598	SLIDING BLOCK (BRONZE)	1	Old Type	D. 11,00 mm		
C02	8	T63312	20859730	SLIDING BLOCK (BRONZE)	1	New Type	D.12,00 mm		
C02	9	T63309	22219285	2ND SPEED GEAR (28-41T.)	1			22219261	20540062
C02	10	T46230	1652575	NEEDLE BEARING (90X98X45,5)	2				
C02	11	T43845	1652578	BUSH (90X80X46,2)	1			21652578	
C02	12	T49651	21034006	WHEEL SENSOR (72T.)	1				
C02	13	T49652	21979816	1ST SPEED GEAR (28-46T.)	1			20906486	20532215
C02	14	T46228	1521452	NEEDLE BEARING (95X103X60)	1				
C02	15	T49648	22368562	SYNCHRO SLIDING SLEEVE (28T.)	1			20532224	22004974
C02	16	T59471	3152823	SLIDING BLOCK (BRONZE)	2				
C02	17	T59473	20542598	SLIDING BLOCK (BRONZE)	1	Old Type	D. 11,00 mm		

Notes



TRACTOR AUTOMOBILE SPARES
A WORLD OF QUALITY PARTS

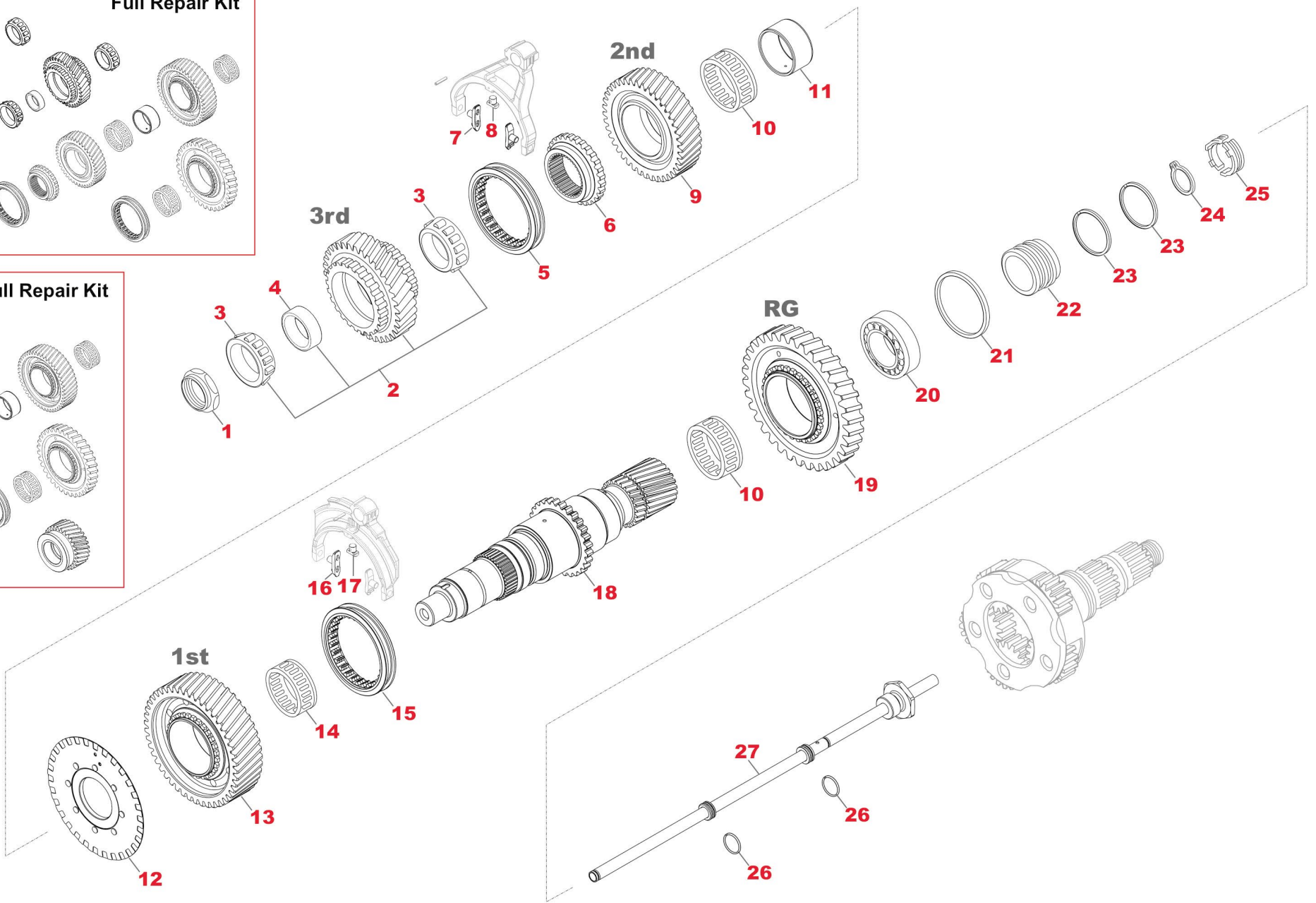
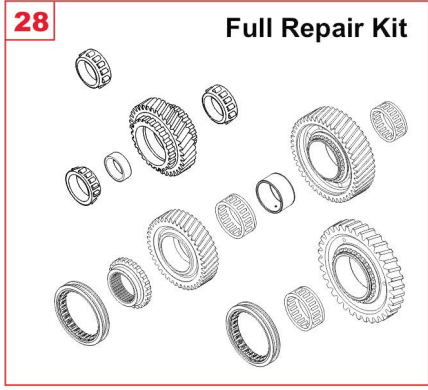


CH	FIG.	TAS no.	OEM no.	Description	Qty	Note	Note1	Ex/ Cross	Ex/ Cross
C02	17	T63312	20859730	SLIDING BLOCK (BRONZE)	1	New Type	D.12,00 mm		
C02	18	T49653	20739229	MAIN SHAFT (23-23-28-37T.)	1			20532222	
C02	19	T49655	22763347	REVERSE GEAR (28-34T.)	1			21979813	22763342
C02	20	T49566	21626057	TAPERED ROLLER BEARING (85X150X38,5)	1			21553211	20483340
C02	21	T63354	25640768	SHIM (T.2,42)	1				
C02	21	T63352	25640767	SHIM (T.2,38)	1				
C02	21	T63350	25640766	SHIM (T.2,34)	1				
C02	21	T63348	25640765	SHIM (T.2,30)	1				
C02	21	T51064	25640764	SHIM (T.2,26)	1				
C02	21	T51063	25640763	SHIM (T.2,22)	1				
C02	21	T63346	25640762	SHIM (T.2,18)	1				
C02	21	T63344	25640761	SHIM (T.2,14)	1				
C02	21	T63342	25640760	SHIM (T.2,10)	1				
C02	21	T63340	25640759	SHIM (T.2,06)	1				
C02	21	T63338	25640758	SHIM (T.2,02)	1				
C02	21	T63336	25640757	SHIM (T.1,98)	1				
C02	21	T63334	25640756	SHIM (T.1,94)	1				
C02	21	T63332	25640755	SHIM (T.1,90)	1				

Notes



TRACTOR AUTOMOBILE SPARES
A WORLD OF QUALITY PARTS

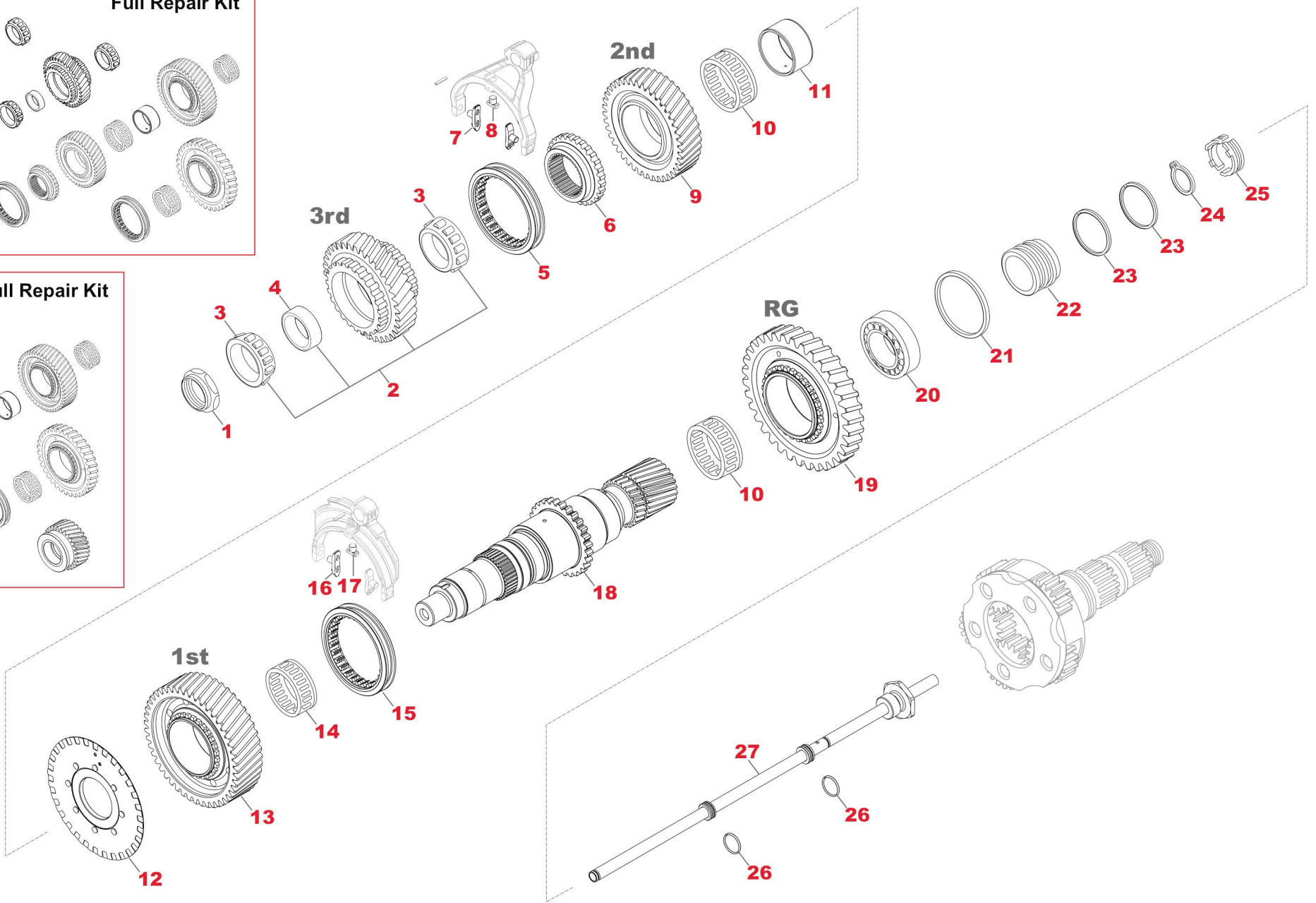


CH	FIG.	TAS no.	OEM no.	Description	Qty	Note	Note1	Ex/ Cross	Ex/ Cross
C02	21	T63330	25640754	SHIM (T.1,86)	1				
C02	21	T63328	25640753	SHIM (T.1,82)	1				
C02	21	T54972	25640752	SHIM (T.1,78)	1				
C02	21	T54974	25640751	SHIM (T.1,74)	1				
C02	21	T54976	25640750	SHIM (T.1,70)	1				
C02	21	T54978	25640749	SHIM (T.1,66)	1				
C02	21	T54980	25640748	SHIM (T.1,62)	1				
C02	21	T54982	25640747	SHIM (T.1,58)	1				
C02	21	T54984	25640746	SHIM (T.1,54)	1				
C02	21	T54986	25640745	SHIM (T.1,50)	1				
C02	21	T54988	25640744	SHIM (T.1,46)	1				
C02	21	T54990	25640743	SHIM (T.1,42)	1				
C02	21	T54992	25640742	SHIM (T.1,38)	1				
C02	21	T54994	25640741	SHIM (T.1,34)	1				
C02	21	T63326	25640740	SHIM (T.1,30)	1				
C02	21	T54996	25640739	SHIM (T.1,26)	1				
C02	21	T54998	25640738	SHIM (T.1,22)	1				
C02	21	T54999	25640737	SHIM (T.1,18)	1				

Notes



TRACTOR AUTOMOBILE SPARES
A WORLD OF QUALITY PARTS

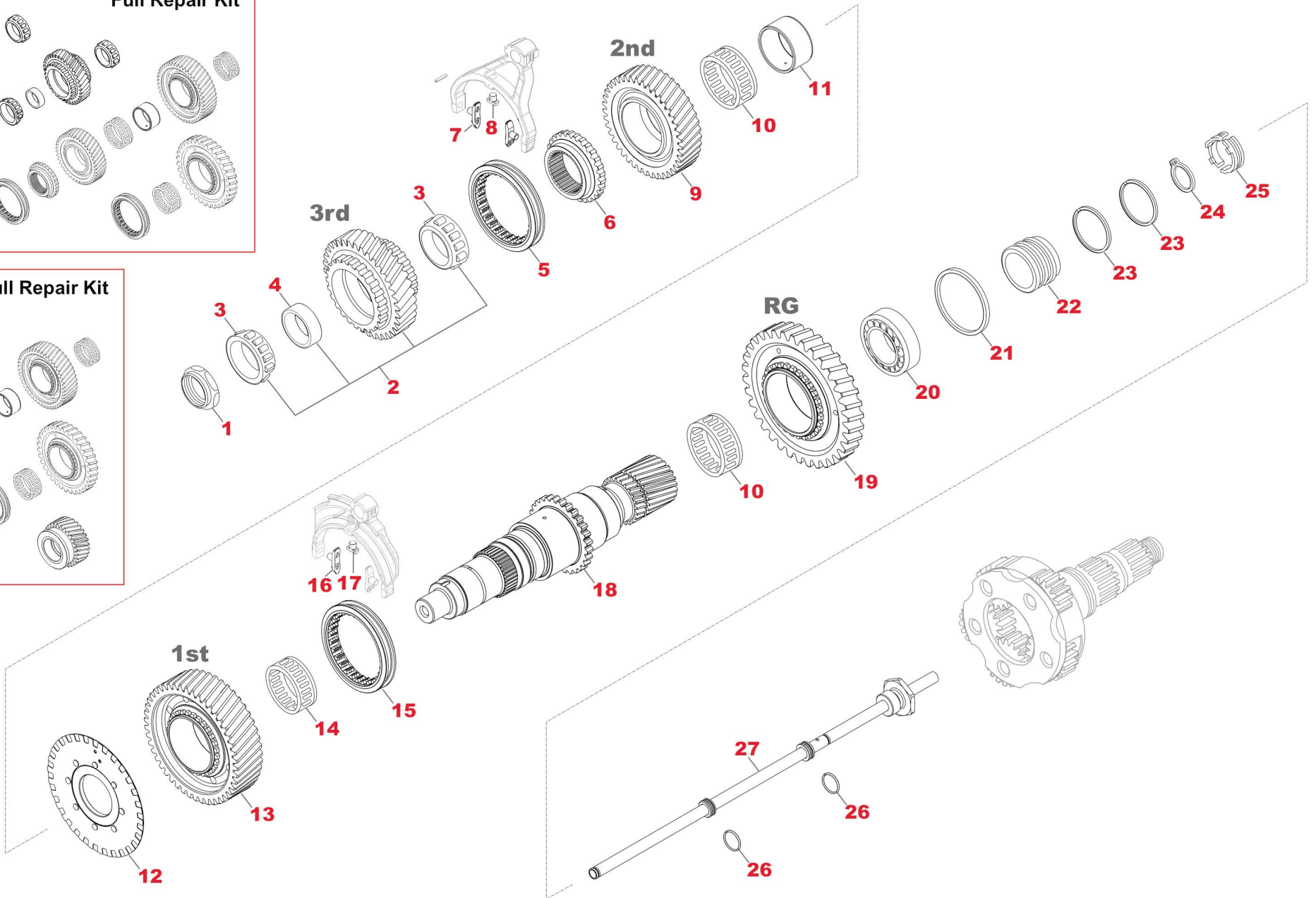


CH	FIG.	TAS no.	OEM no.	Description	Qty	Note	Note1	Ex/ Cross	Ex/ Cross
C02	21	T55000	25640736	SHIM (T.1,14)	1				
C02	21	T63324	25640735	SHIM (T.1,10)	1				
C02	21	T63368	25640734	SHIM (T.1,06)	1				
C02	21	T63322	25640733	SHIM (T.1,02)	1				
C02	21	T63320	25640732	SHIM (T.0,98)	1				
C02	21	T63318	25640731	SHIM (T.0,94)	1				
C02	21	T55001	25640730	SHIM (T.0,90)	1				
C02	22	T49656	21695754	SPACER	1			21339270	20533124
C02	23	T46237	1652820	RING (T.4,50)	2			22328752	
C02	24	T49657	20483569	RETAINER RING (T.4,30)	1				
C02	24	T49658	20507499	RETAINER RING (T.4,20)	1				
C02	24	T49659	20507500	RETAINER RING (T.4,10)	1				
C02	24	T49660	20507501	RETAINER RING (T.4,00)	1				
C02	24	T49661	20507502	RETAINER RING (T.3,90)	1				
C02	24	T49662	20507503	RETAINER RING (T.3,80)	1				
C02	24	T49663	20507504	RETAINER RING (T.3,70)	1				
C02	25	T49686	20740039	RETAINER RING	1				
C02	26	T46239	949656	O-RING (19X3)	2			925059	

Notes



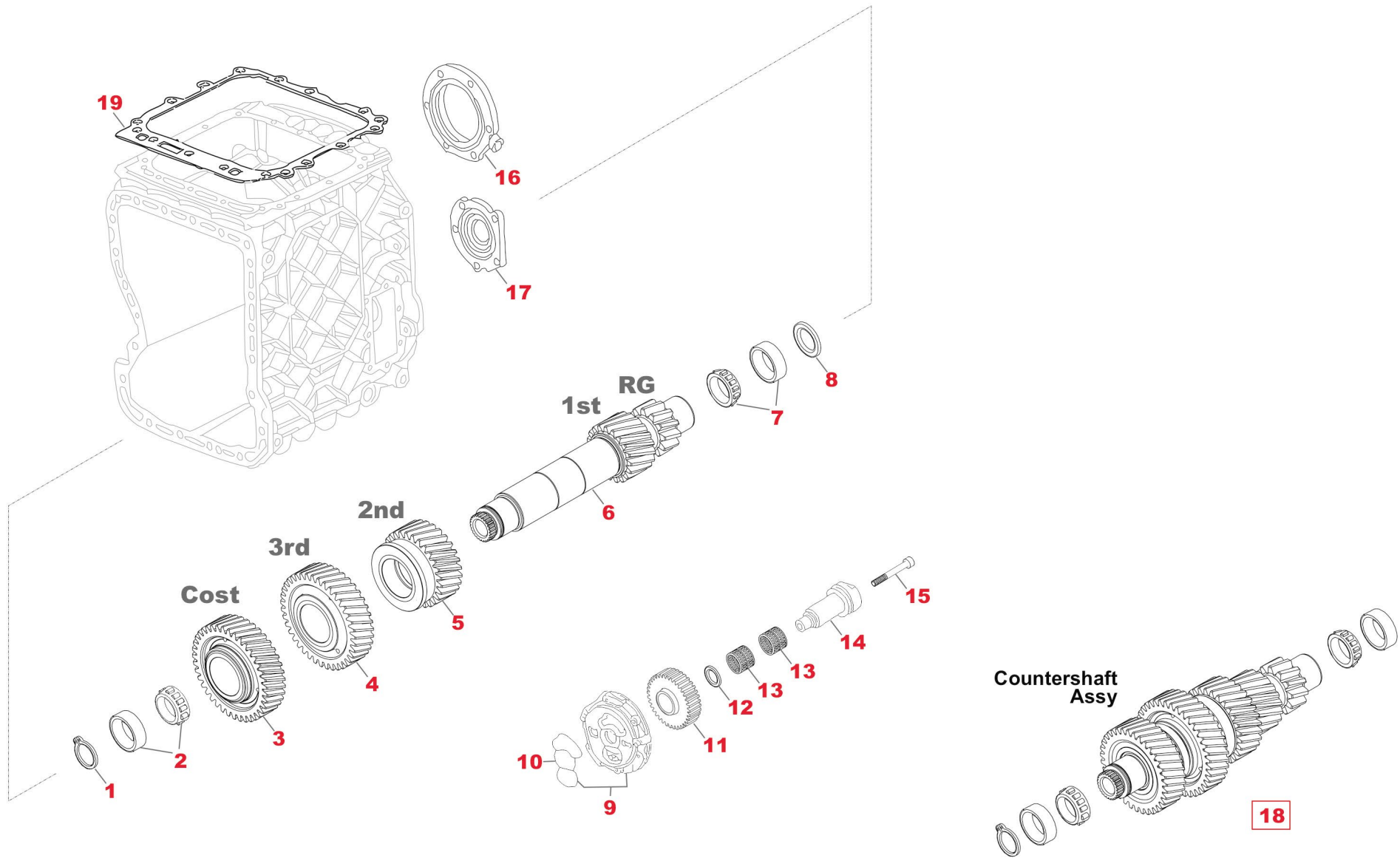
TRACTOR AUTOMOBILE SPARES
A WORLD OF QUALITY PARTS



CH	FIG.	TAS no.	OEM no.	Description	Qty	Note	Note1	Ex/ Cross	Ex/ Cross
C02	27	T49687	21016548	OIL PIPE	1			20562014	
C02	28	T84057	21671433	REPAIR KIT	1				
C02	29	T63370	22523891	REPAIR KIT	1				

Notes

All original equipment manufacturers' numbers, symbols, pictures, models and description used in this catalogue are for reference only, and it is not implied that any part listed is the product of these manufactures. Tutti i nostri particolari non sono originali ma con essi intercambiabili. I riferimenti originali, le figure, i modelli sono esposti a semplice titolo indicativo. La nostra produzione riporta il nostro marchio.

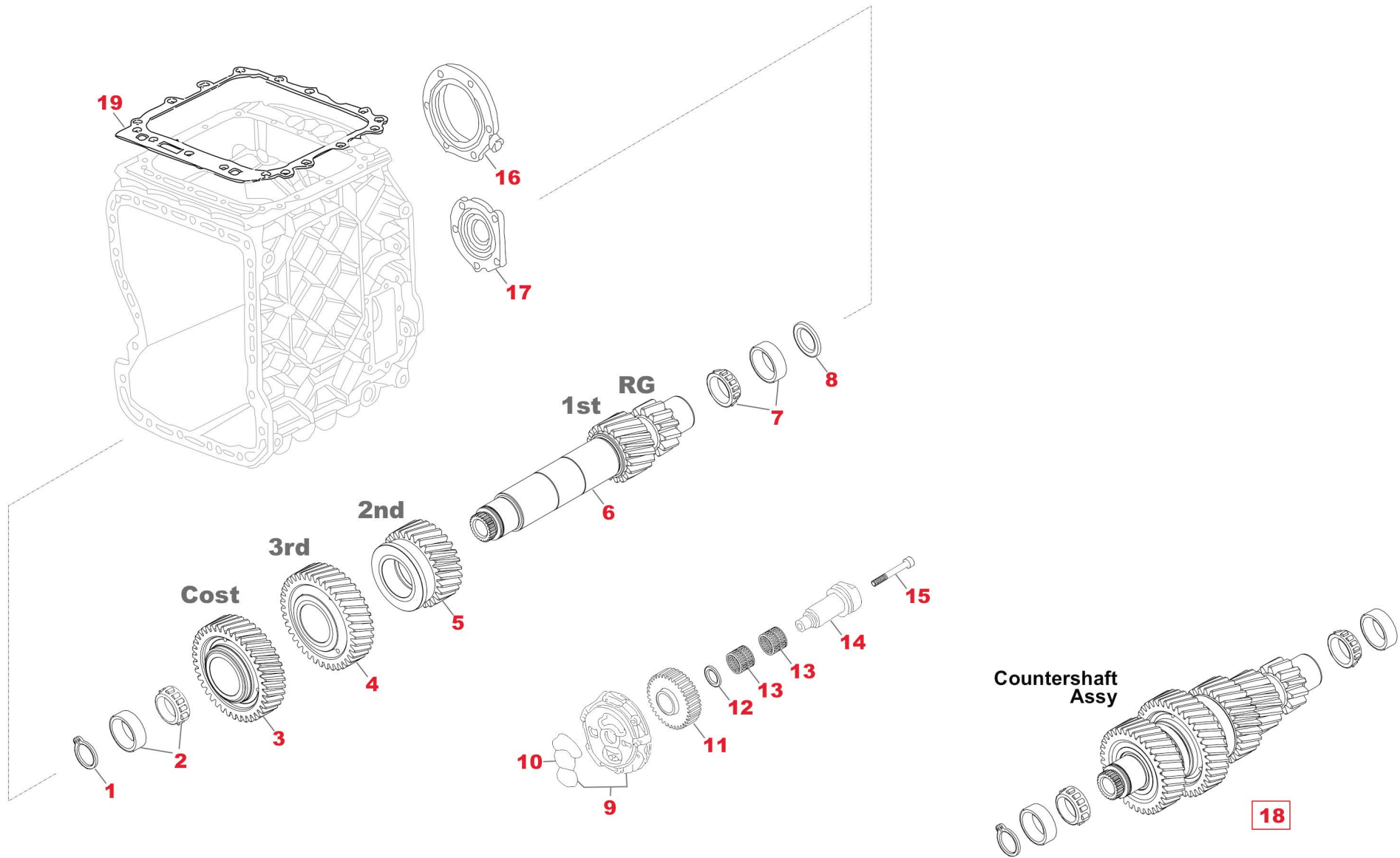


CH	FIG.	TAS no.	OEM no.	Description	Qty	Note	Note1	Ex/ Cross	Ex/ Cross
C03	1	T47087	1652801	SEEGER RING (T.2,50)	1				
C03	1	T46246	1652800	SEEGER RING (T.2,40)	1				
C03	1	T47088	1652799	SEEGER RING (T.2,30)	1				
C03	1	T46245	1652798	SEEGER RING (T.2,20)	1				
C03	1	T47089	1652797	SEEGER RING (T.2,10)	1				
C03	1	T46244	1652796	SEEGER RING (T.2,00)	1				
C03	2	T37661	21627792	TAPERED ROLLER BEARING (60X110X38)	1		AT2612	183665	1652563
C03	2	T63356	21626061	TAPERED ROLLER BEARING (60X110X29,75)	1		ATO2612		
C03	3	T18083	1521913	CONSTANT GEAR CNTRSHFT (44T.)	1		AT2612	1521422	20854437
C03	3	T49602	20483432	CONSTANT GEAR CNTRSHFT (35T.)	1		ATO2612		
C03	4	T49603	20483434	3RD SPEED GEAR CNTRSHFT (39T.)	1			20366990	
C03	5	T55289	22219353	2ND SPEED GEAR CNTRSHFT (28T.)	1			20544783	20544781
C03	6	T49572	20544785	COUNTERSHAFT (19-12T.)	1		AT2612		
C03	6	T49571	20544787	COUNTERSHAFT (19-12T.)	1		ATO2612		
C03	7	T63358	22283632	TAPERED ROLLER BEARING (60X115X40)	1			21660722	184650
C03	8	T63386	25640728	WASHER (T.2,02)	1				
C03	8	T63385	25640727	WASHER (T.1,98)	1				
C03	8	T63384	25640726	WASHER (T.1,94)	1				

Notes



TRACTOR AUTOMOBILE SPARES
A WORLD OF QUALITY PARTS

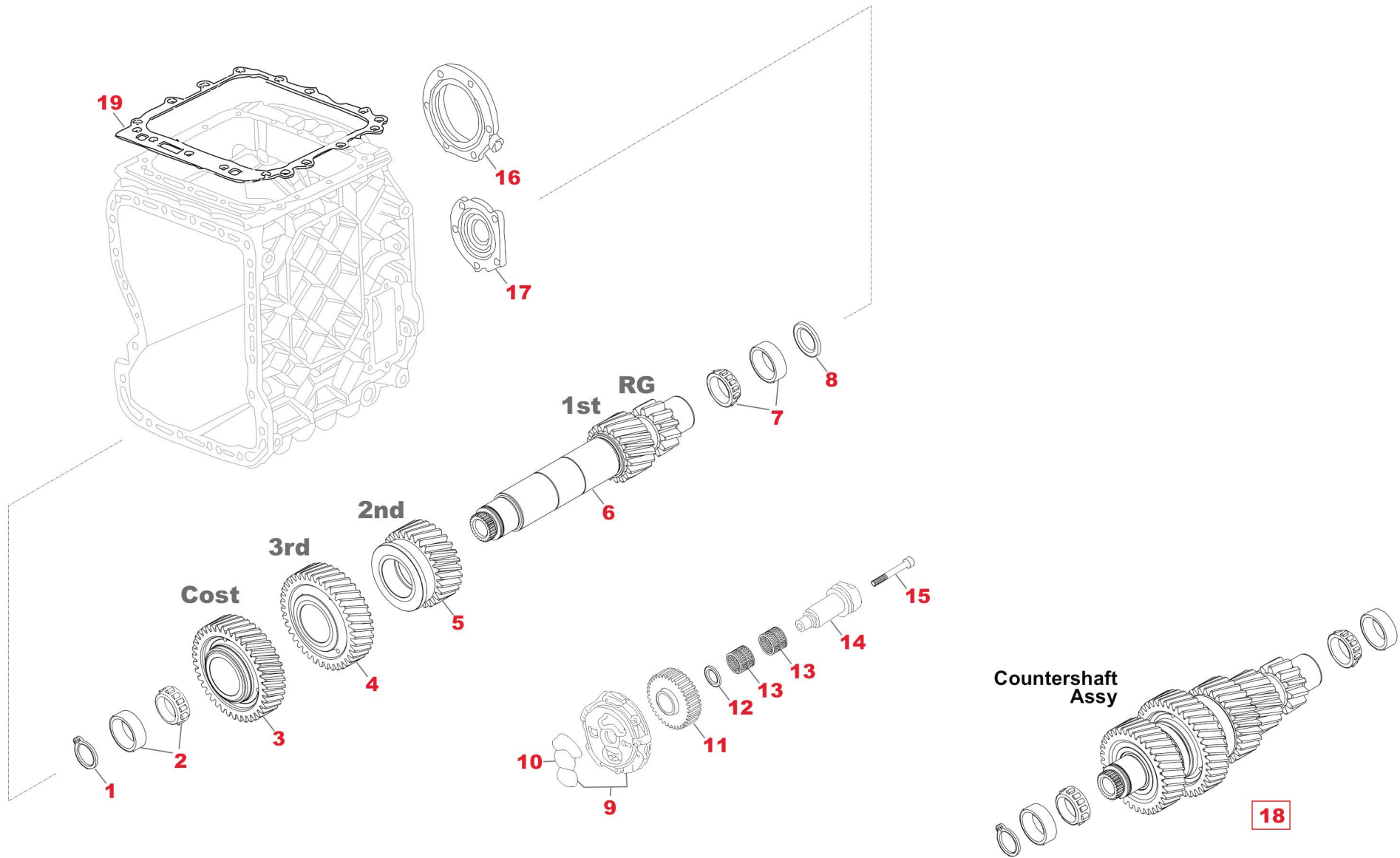


CH	FIG.	TAS no.	OEM no.	Description	Qty	Note	Note1	Ex/ Cross	Ex/ Cross
C03	8	T63383	25640725	WASHER (T.1,90)	1				
C03	8	T55926	25640724	WASHER (T.1,86)	1				
C03	8	T55927	25640723	WASHER (T.1,82)	1				
C03	8	T55928	25640722	WASHER (T.1,78)	1				
C03	8	T55929	25640721	WASHER (T.1,74)	1				
C03	8	T55930	25640720	WASHER (T.1,70)	1				
C03	8	T55931	25640719	WASHER (T.1,66)	1				
C03	8	T55932	25640718	WASHER (T.1,62)	1				
C03	8	T55933	25640717	WASHER (T.1,58)	1				
C03	8	T55934	25640716	WASHER (T.1,54)	1				
C03	8	T55935	25640715	WASHER (T.1,50)	1				
C03	8	T55936	25640714	WASHER (T.1,46)	1				
C03	8	T55937	25640713	WASHER (T.1,42)	1				
C03	8	T63382	25640712	WASHER (T.1,38)	1				
C03	8	T63381	25640711	WASHER (T.1,34)	1				
C03	8	T63380	25640710	WASHER (T.1,30)	1				
C03	8	T63379	25640709	WASHER (T.1,26)	1				
C03	8	T63378	25640708	WASHER (T.1,22)	1				

Notes



TRACTOR AUTOMOBILE SPARES
A WORLD OF QUALITY PARTS

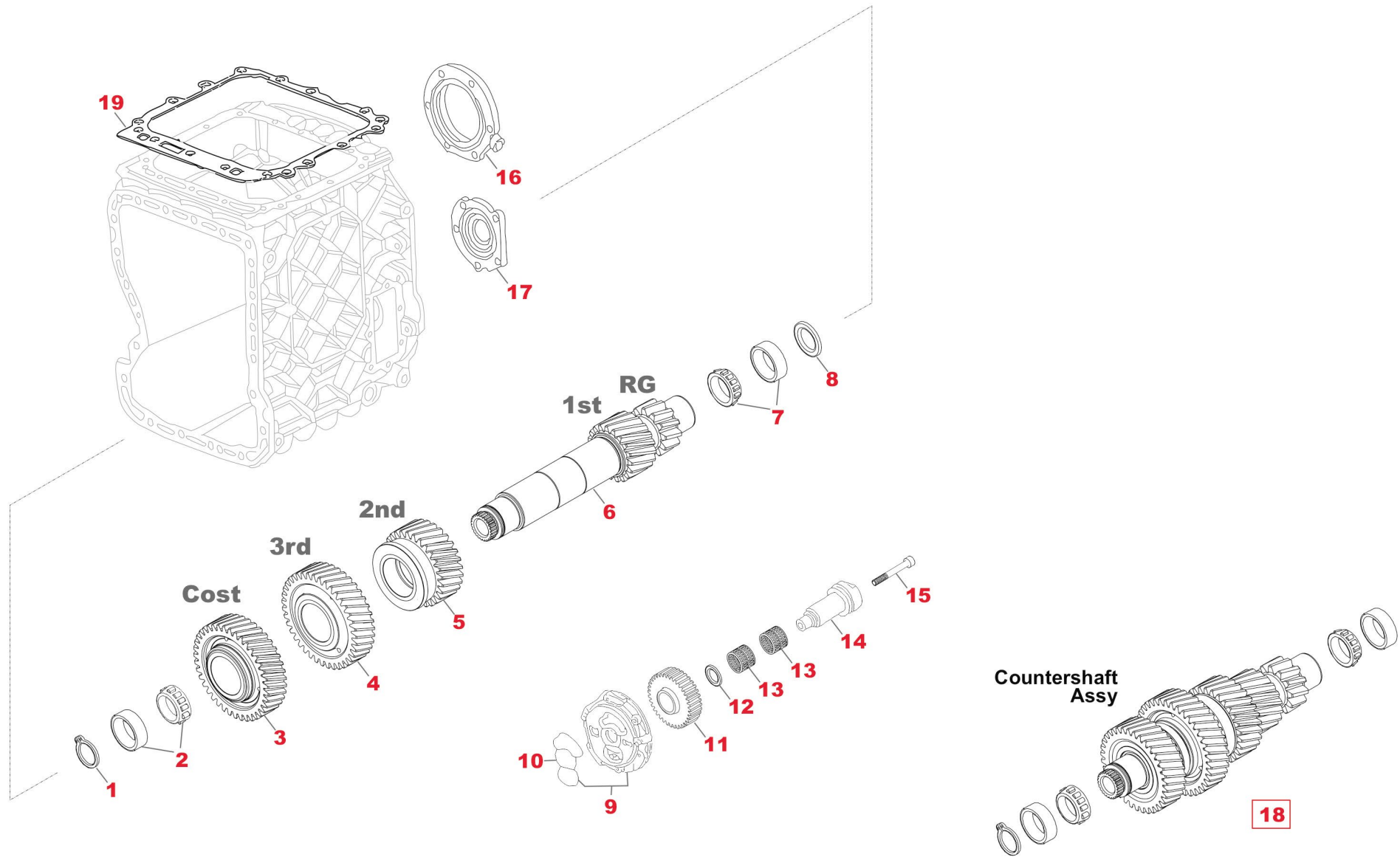


CH	FIG.	TAS no.	OEM no.	Description	Qty	Note	Note1	Ex/ Cross	Ex/ Cross
C03	8	T63377	25640707	WASHER (T.1,18)	1				
C03	8	T63376	25640706	WASHER (T.1,14)	1				
C03	8	T63375	25640705	WASHER (T.1,10)	1				
C03	8	T63374	25640704	WASHER (T.1,06)	1				
C03	8	T63373	25640703	WASHER (T.1,02)	1				
C03	8	T63372	25640702	WASHER (T.0,98)	1				
C03	8	T63371	25640701	WASHER (T.0,94)	1				
C03	8	T55938	25640700	WASHER (T.0,90)	1				
C03	9	T63360	22196494	OIL PUMP	1			21730437	20567034
C03	10	T49606	20537032	O-RING	1				
C03	11	T49608	22763330	REVERSE GEAR (20T.)	1			20483570	22763337
C03	12	T49609	20483575	SPACER	1				
C03	13	T64119	20483574	NEEDLE BEARING (38X46X32)	2				
C03	14	T49611	20785053	PIVOT REVERSE	1				
C03	15	T63387	984765	SCREW (M10X140)	1				
C03	16	T63397	21664147	COVER REAR	1		AT2612		
C03	16	T63398	21664150	COVER REAR	1		ATO2612		
C03	16	T63402	21629020	COVER REAR	1		AT2612		

Notes



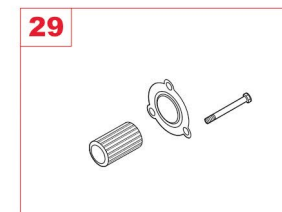
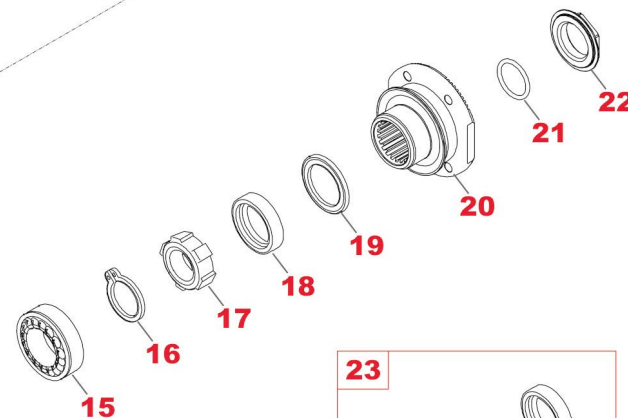
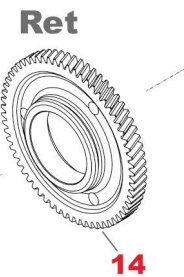
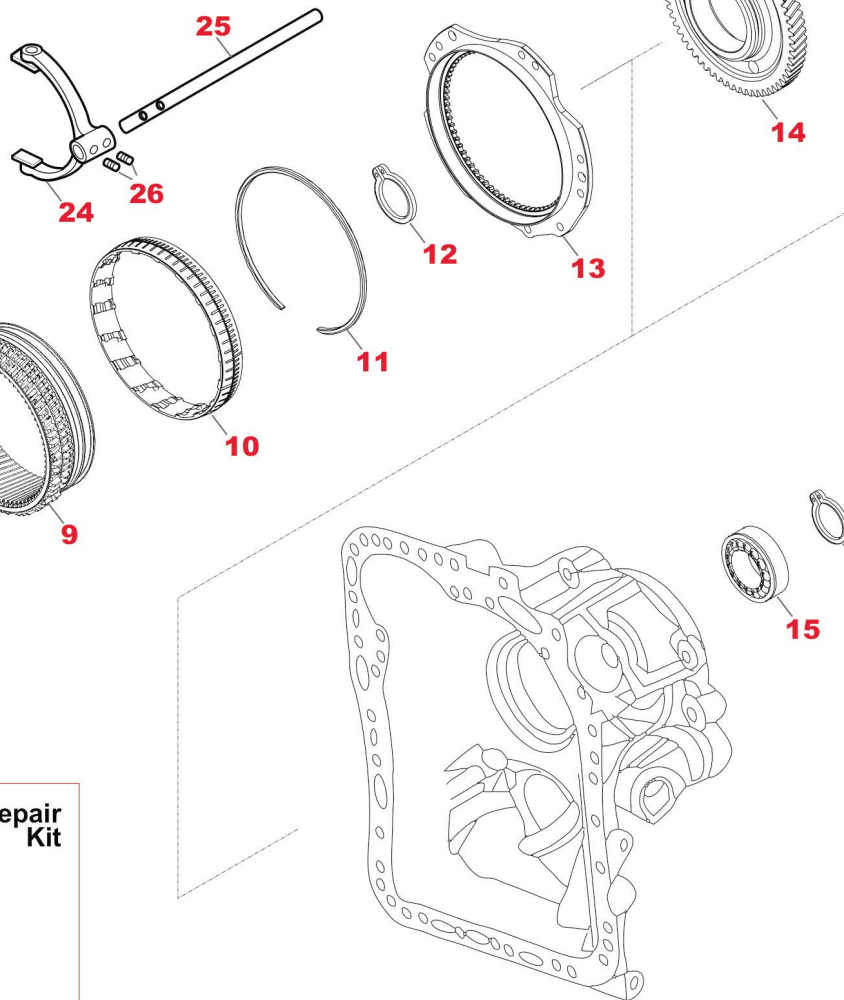
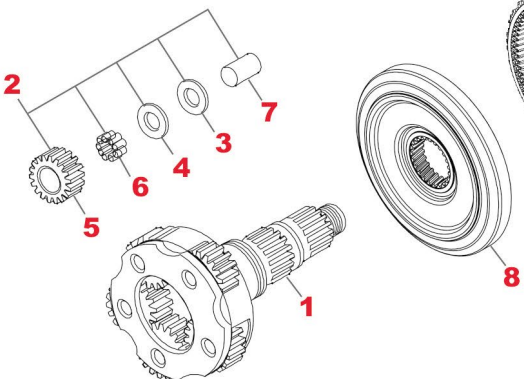
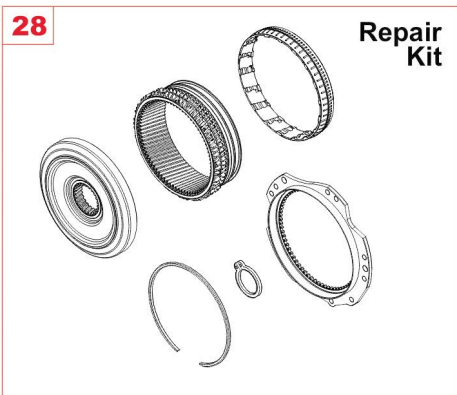
TRACTOR AUTOMOBILE SPARES
A WORLD OF QUALITY PARTS



CH	FIG.	TAS no.	OEM no.	Description	Qty	Note	Note1	Ex/ Cross	Ex/ Cross
C03	16	T63403	21636544	COVER REAR	1		ATO2612		
C03	17	T63405	21714932	COVER REAR	1			21629038	22323440
C03	18	T41384	TAS41384	REPAIR KIT FOR I-SHIFT	1	ASSY	AT2612		
C03	18	T41381	TAS41381	REPAIR KIT FOR ATO2512C	1	ASSY	ATO2612		
C03	19	T50225	8171137	GASKET	1	Old Type	"D" Series		
C03	19	T57839	21244695	GASKET	1	New Type	"E-F" Series		

Notes





CH	FIG.	TAS no.	OEM no.	Description	Qty	Nota	Note1	Ex/ Cross	Ex/ Cross
C04	1	T49667	20590147	PLANETARY CARRIER W/GEARS	1	Old (#)	W/OUT Retarder		
C04	1	T49668	20590148	PLANETARY CARRIER W/GEARS	1	Old (#)	W/OUT Retarder		
C04	1	T49670	20733118	PLANETARY CARRIER W/GEARS	1	Old (#)	WITH Retarder		
C04	1	T49671	20733119	PLANETARY CARRIER W/GEARS	1	Old (#)	WITH Retarder		
C04	1	T49669	22502019	PLANETARY CARRIER W/GEARS	1			21021416	20846416
C04	2	T41895	22761701	PLANETARY REPAIR KIT	1		5 Series Kit		
C04	3	T41896	20483601	WASHER	10				
C04	4	T41897	20483600	WASHER	10				
C04	5	T41898	20483611	PLANETARY GEAR	5				
C04	6	T41899	22544210	NEEDLE KIT	5				
C04	7	T41900	20515814	PIN	5				
C04	8	T55291	21751233	SYNCHRO CONE (23-77T.)	1		W/OUT Retarder	21480996	21009061
C04	8	T59494	21753642	SYNCHRO CONE (23-77T.)	1		WITH Retarder	21480998	21009062
C04	9	T49683	21110728	RING GEAR (72-77T.)	1		W/OUT Retarder	20726338	
C04	9	T49684	21110726	RING GEAR (72-77T.)	1		WITH Retarder	20741935	
C04	10	T49682	21430239	SYNCHRO RING (CARBON FIBER)	1	(P)		21101488	20782303
C04	10	T63670	21482856	SYNCHRO RING (CARBON FIBER)	1	(Q)			
C04	10	T94007	21482856 MO	SYNCHRO RING (MOLYBDENUM)	1	(Q)			

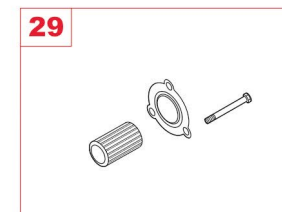
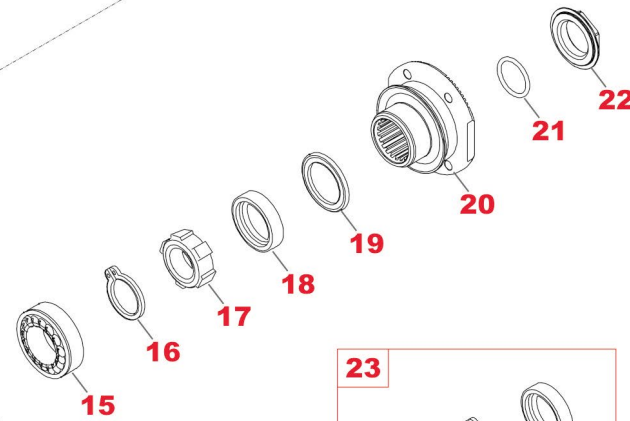
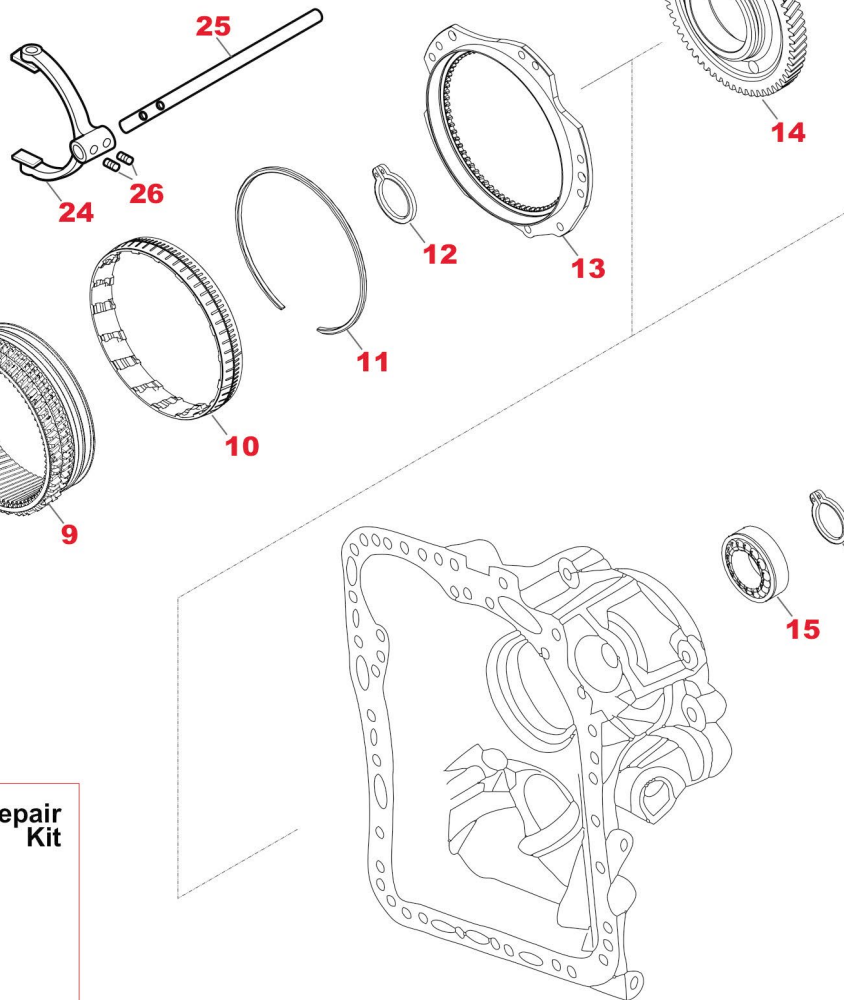
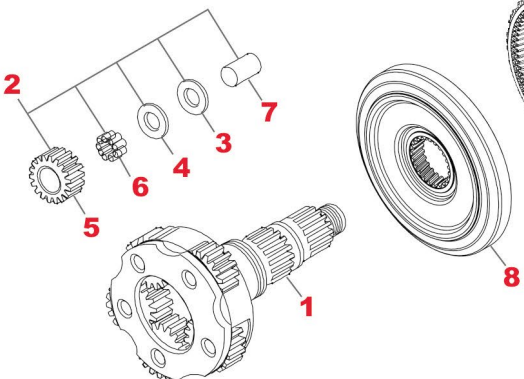
Notes

(P) To be coupled together (Version with 6° 30' Conical Angle)
(Q) To be coupled together (Version with 7° 20' Conical Angle)

(#) To be coupled together (Old Version with Ø 70 mm instead 80 mm bearing)



TRACTOR AUTOMOBILE SPARES
A WORLD OF QUALITY PARTS



CH	FIG.	TAS no.	OEM no.	Description	Qty	Note	Note1	Ex/ Cross	Ex/ Cross
C04	11	T49685	20737310	ELASTIC RING	1				
C04	12	T46220	951080	SEEGER RING (103,54X110X4)	1				
C04	13	T49561	21108695	SYNCHRO CONE (72T.)	1	(P)		20891188	20756925
C04	13	T63668	21482847	SYNCHRO CONE (72T.)	1	(Q)			
C04	14	T71105	20585994	RETARDER GEAR (63T.)	1	Old (#)			
C04	14	T49562	21010667	RETARDER GEAR (63T.)	1			20785178	
C04	15	T46306	21170624	BALL BEARING (70X140X26)	1	Old (#)		21001091	1652604
C04	15	T46305	21005761	BALL BEARING (80X140X26)	1			20785448	21001044
C04	16	T46308	914556	LOCK RING (T.4,00)	1				
C04	16	T46311	1652804	LOCK RING (T.3,90)	1				
C04	16	T46310	1652803	LOCK RING (T.3,80)	1				
C04	16	T46309	1652802	LOCK RING (T.3,70)	1				
C04	17	T46312	3191944	WHEEL SENSOR	1	Old (#)			
C04	17	T46313	20774242	WHEEL SENSOR	1				
C04	17	T46314	20784855	WHEEL SENSOR	1				
C04	18	T38580	1652776	OIL SEAL RING (90X145X10)	1	Old (#)			
C04	18	T46315	20791305	OIL SEAL RING (95X145X10)	1				
C04	19	T46316	1652622	OIL SEAL RING (90X111X6/8)	1	Old (#)		1523124	

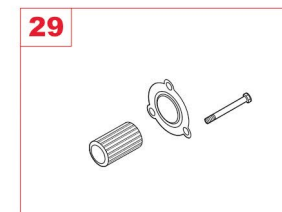
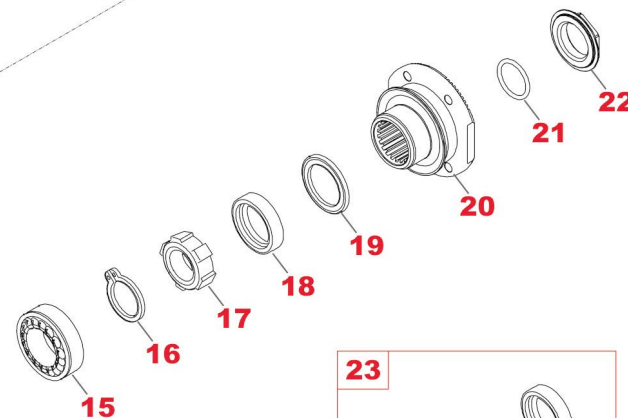
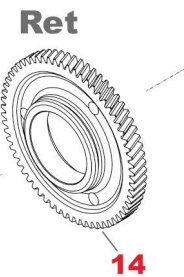
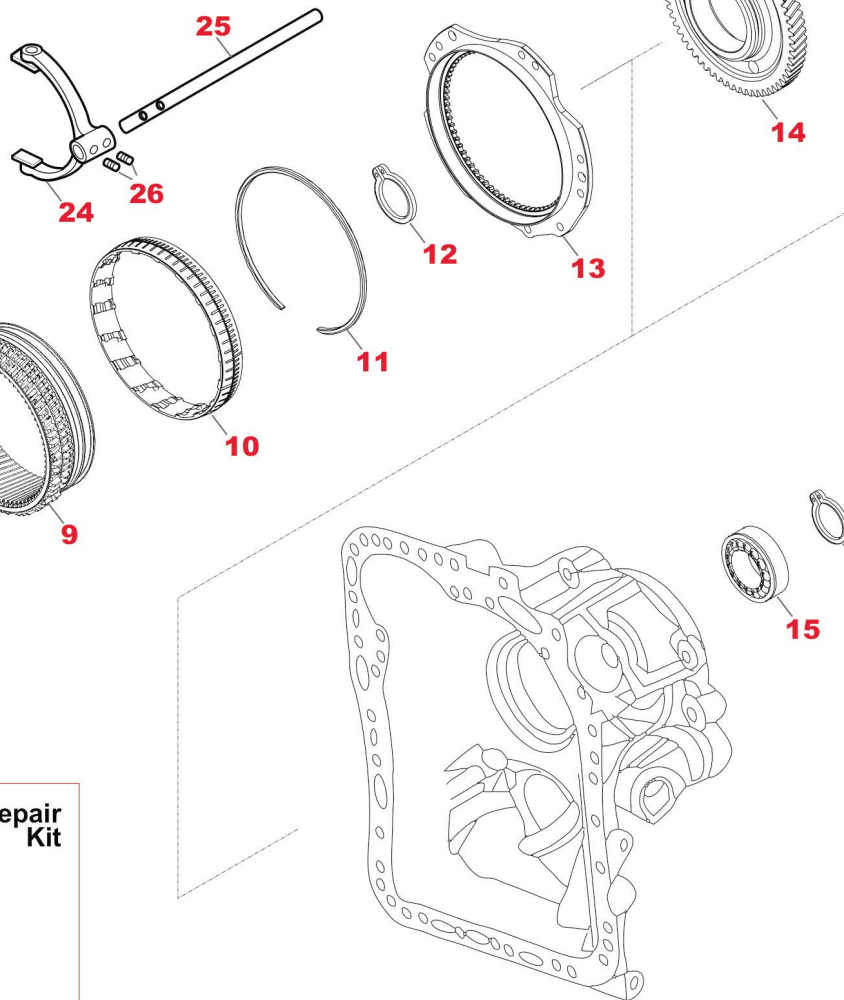
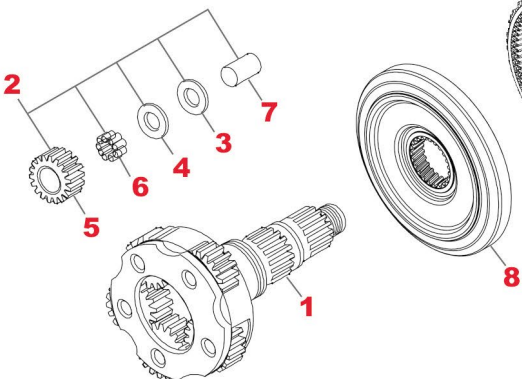
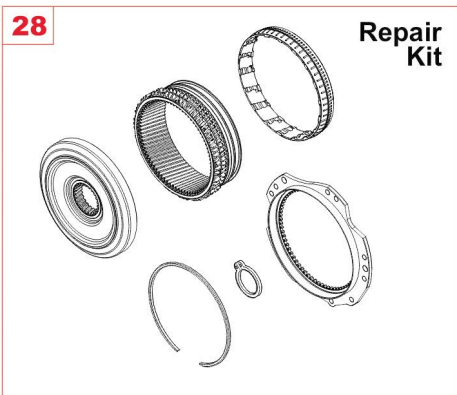
Notes

(P) To be coupled together (Version with 6° 30' Conical Angle)
(Q) To be coupled together (Version with 7° 20' Conical Angle)

(#) To be coupled together (Old Version with Ø 70 mm instead 80 mm bearing)



TRACTOR AUTOMOBILE SPARES
A WORLD OF QUALITY PARTS



CH	FIG.	TAS no.	OEM no.	Description	Qty	Nota	Note1	Ex/ Cross	Ex/ Cross
C04	19	T46317	20791222	OIL SEAL RING (90X111X8)	1				
C04	20	T46318	8172618	FLANGE OUTPUT	1	Old (#)	W/OUT Retarder		
C04	20	T46989	8172620	FLANGE OUTPUT	1	Old (#)	W/OUT Retarder		
C04	20	T75877	20498990	FLANGE OUTPUT	1	Old (#)	WITH Retarder		
C04	20	T46319	22238212	FLANGE OUTPUT	1			20773853	21369349
C04	21	T46320	976053	O-RING (59X70,4X5,7)	1	Old (#)			
C04	21	T46321	976055	O-RING (69,2X5,7)	1				
C04	22	T46322	8171338	NUT (M60X2)	1			1672160	8171956
C04	23	T49563	21008411	REPAIR KIT	1	Old (#)			
C04	23	T75881	21008412	REPAIR KIT	1				
C04	24	T75886	21510395	FORK	1			20579443	20579437
C04	25	T49666	20571534	TIE ROD	1				
C04	26	T49665	1652847	SCREW	2				
C04	27	T49677	21768926	REPAIR KIT W/OUT RETARDER	1		W/OUT Retarder	21571607	21441385
C04	27	T49674	21768927	REPAIR KIT W/RETARDER	1		WITH Retarder	21571608	21441386
C04	28	T73513	21671435	REPAIR KIT W/OUT RETARDER	1		W/OUT Retarder		
C04	28	T41910	TAS41910	REPAIR KIT W/RETARDER	1		WITH Retarder		
C04	29	T76018	21479106	OIL FILTER	1			22419050	85108176

Notes

(P) To be coupled together (Version with 6° 30' Conical Angle)
(Q) To be coupled together (Version with 7° 20' Conical Angle)

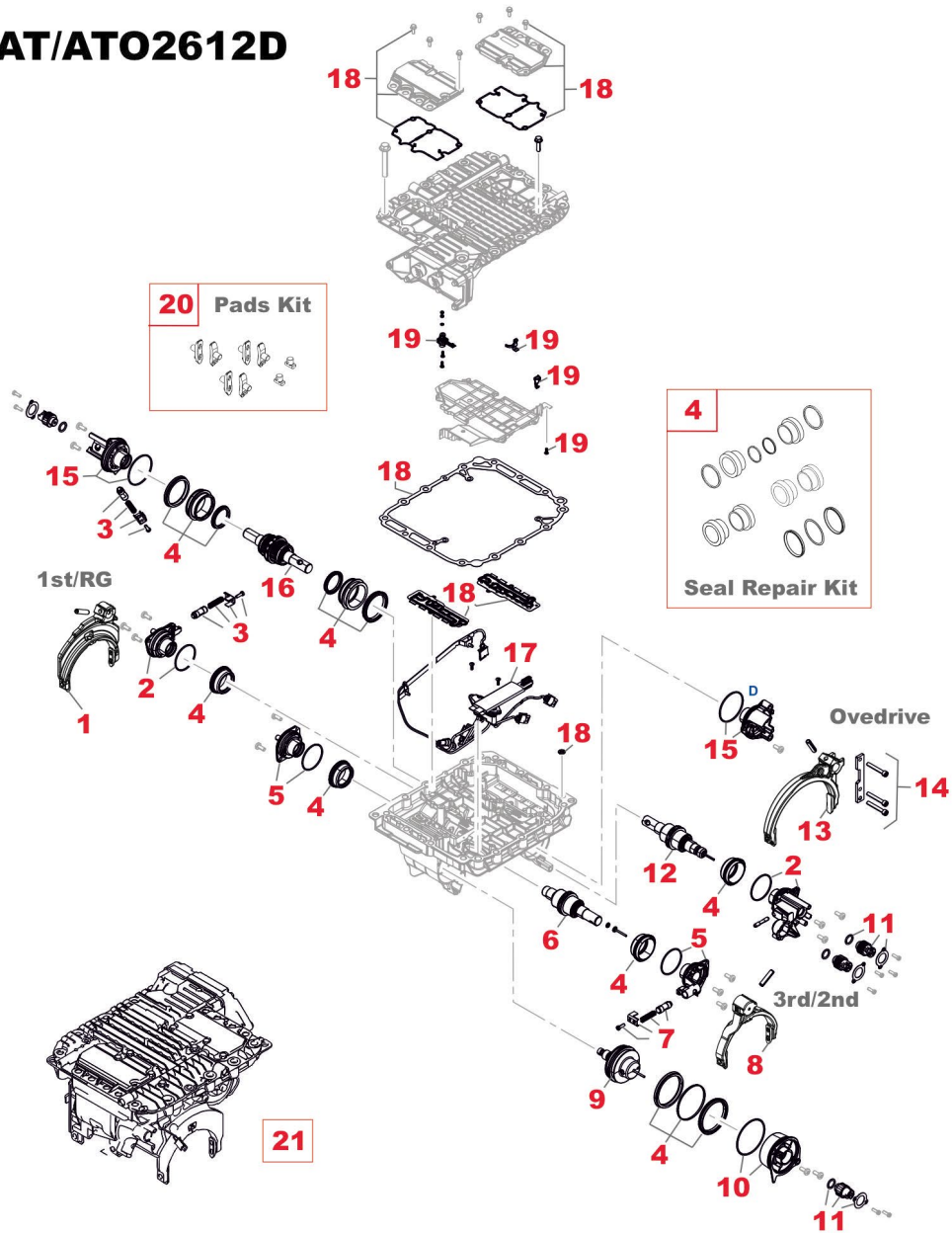
(#) To be coupled together (Old Version with Ø 70 mm instead 80 mm bearing)



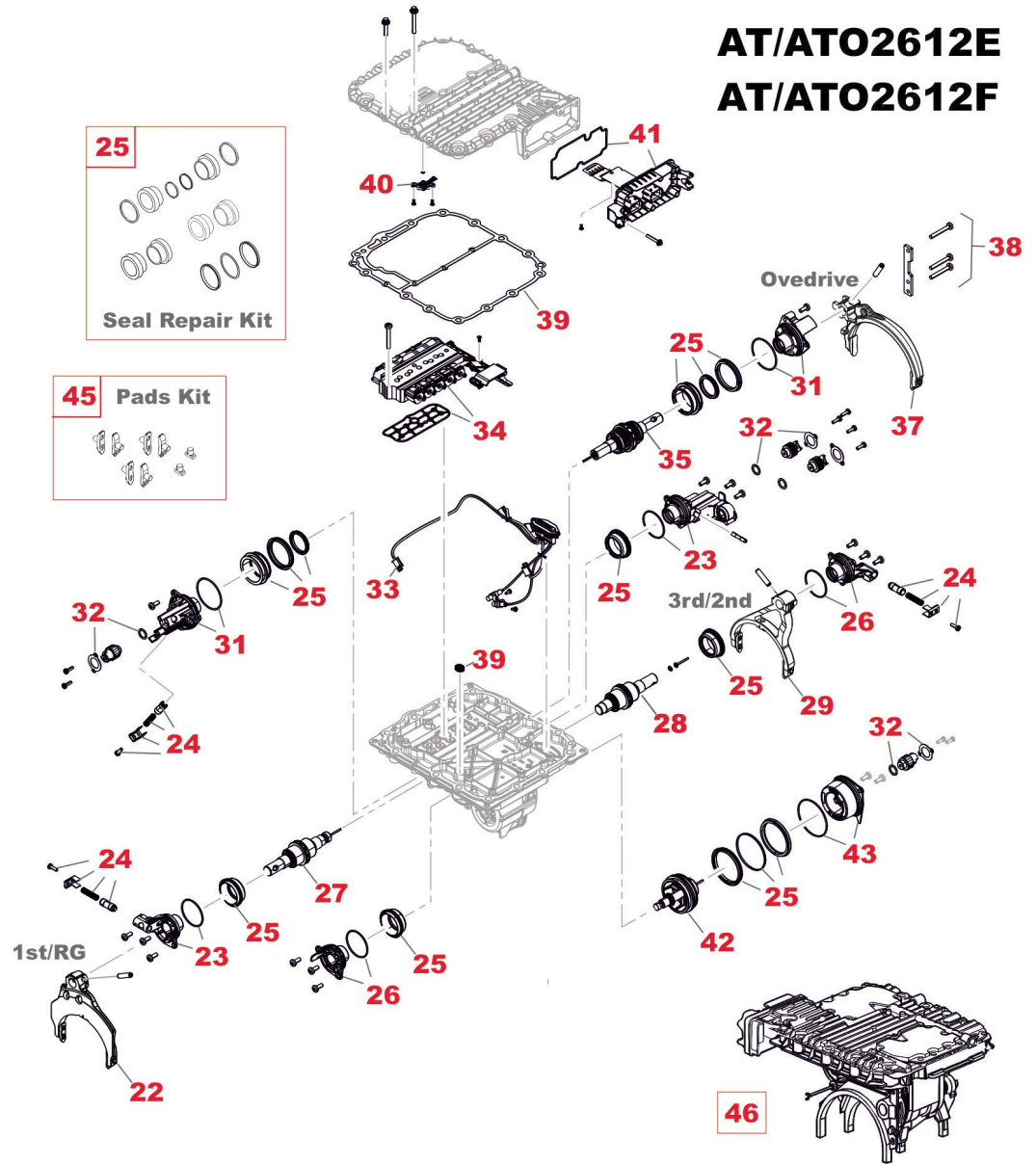
TRACTOR AUTOMOBILE SPARES
A WORLD OF QUALITY PARTS



AT/ATO2612D



AT/ATO2612E AT/ATO2612F



CH	FIG.	TAS no.	OEM no.	Description	Qty	Note	Note1	Ex/ Cross	Ex/ Cross
C05	1	T41576	21512541	FORK 1ST SPEED & REVERSE	1			21564813	20859786
C05	2	T76670	20562633	REPAIR KIT	1				
C05	3	T41947	20562629	KIT WITH DETENTS	1				
C05	4	T59433	20562630	OIL SEALS RING KIT	1				
C05	5	T76668	20562635	REPAIR KIT	1				
C05	6	T75872	22781280	TIE ROD	1			21302093	20562109
C05	7	T41947	20562629	KIT WITH DETENTS	1				
C05	8	T41574	21513170	FORK 2ND-3RD SPEED	1			20859973	
C05	9	T63369	20562111	TIE ROD	1				
C05	10	T41927	20562636	CYLINDER	1				
C05	11	T41929	20562642	SENSOR	1				
C05	12	T59432	21302092	TIE ROD	1			20562107	
C05	13	T63363	21511649	FORK OVERDRIVE	1			8172473	
C05	14	T59460	20845917	BRACKET	1				
C05	15	T59451	20562631	SPLIT CYLINDER COVER KIT	1				
C05	16	T63364	21786063	TIE ROD	1			21302091	20562105
C05	17	T41814	22117441	CONNECTION BRIDGE TYPE D	1			21068284	
C05	18	T57836	20785252	GASKET KIT	1			20562626	

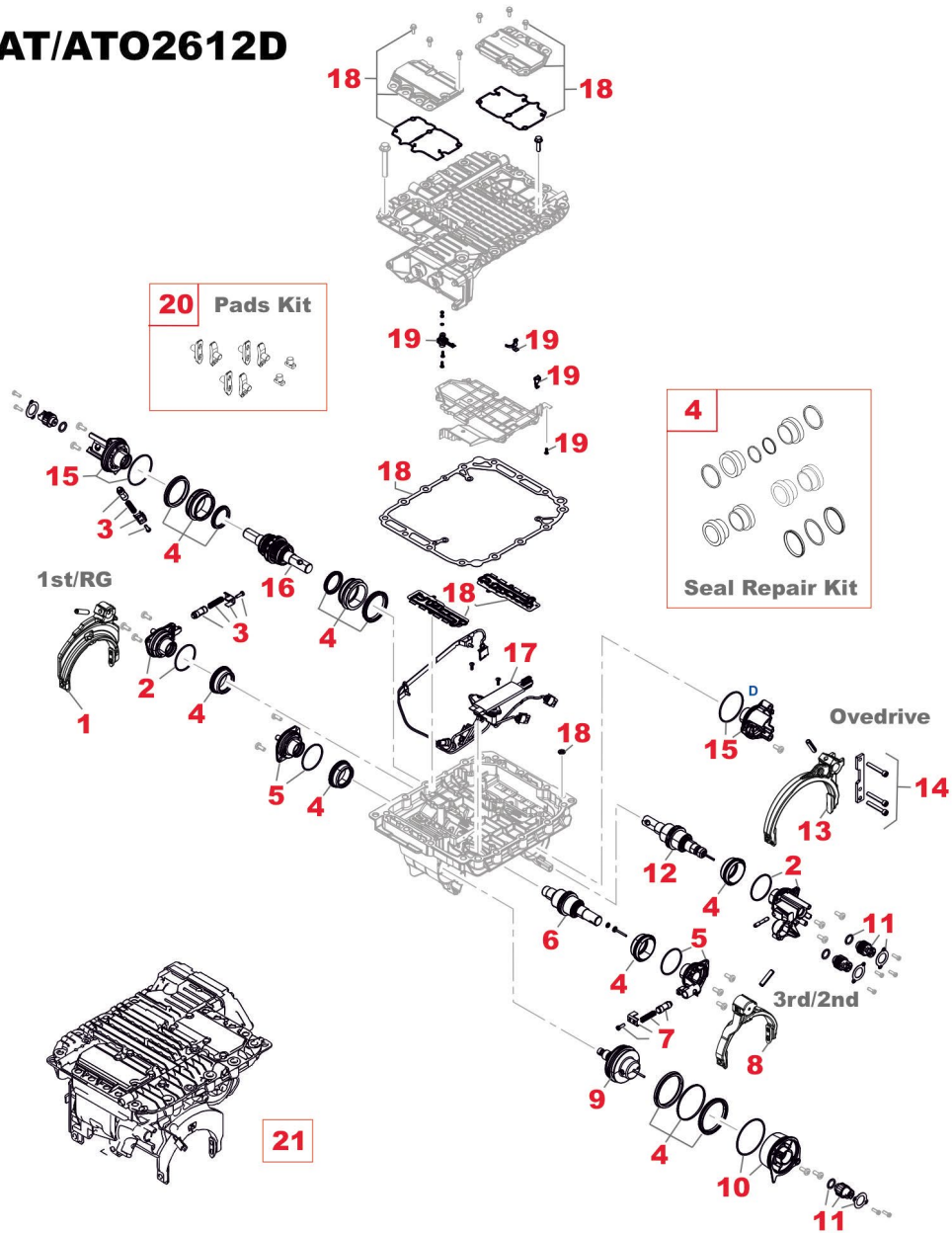
Notes



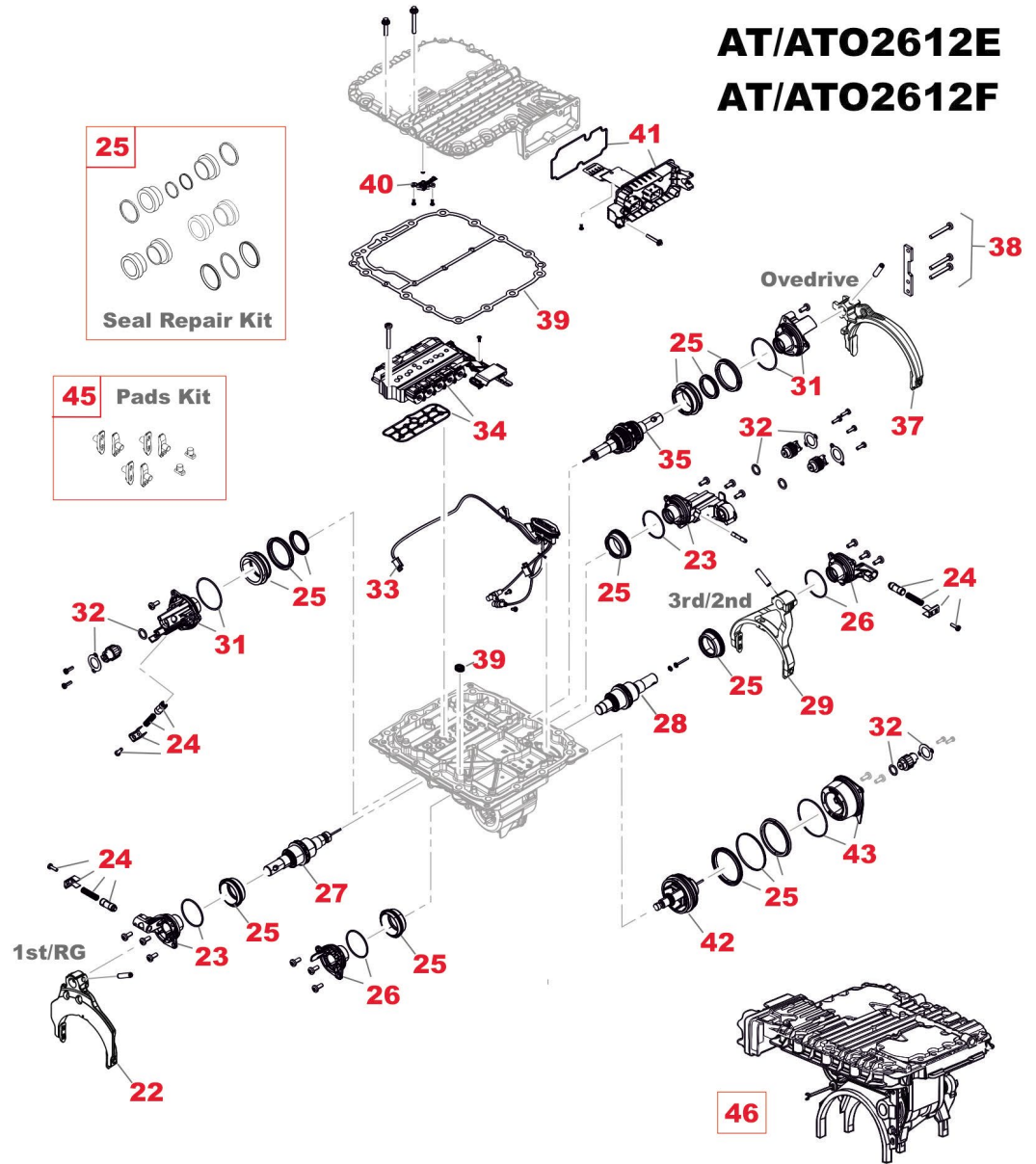
TRACTOR AUTOMOBILE SPARES
A WORLD OF QUALITY PARTS



AT/ATO2612D



AT/ATO2612E AT/ATO2612F



CH	FIG.	TAS no.	OEM no.	Description	Qty	Note	Note1	Ex/ Cross	Ex/ Cross
C05	19	T41501	21068286	REPAIR KIT PRESSURE SENSOR	1			20761735	
C05	20	T59434	20562628	KIT PINS + SLIDING BLOCK	1	Old Type	With Slide D.11,00 mm		
C05	20	T63314	20968999	KIT PINS + SLIDING BLOCK	1	New Type	With Slide D.12,00 mm		
C05	21	T41878	21571890	TRANSMISSION CONTROL UNIT TYPE D	1		With Sensor 72 T.	21244590	
C05	22	T41923	21678722	FORK 1ST SPEED & REVERSE	1				
C05	23	T41937	21911592	CYLINDER	1				
C05	24	T41947	20562629	KIT WITH DETENTS	1				
C05	25	T59433	20562630	OIL SEALS RING KIT	1				
C05	26	T41933	21911596	CYLINDER COVER	1				
C05	27	T59432	21302092	TIE ROD	1			20562107	
C05	28	T75872	22781280	TIE ROD	1			21302093	20562109
C05	29	T41574	21513170	FORK 2ND-3RD SPEED	1			20859973	
C05	31	T41925	21911591	CYLINDER COVER	1				
C05	32	T41929	20562642	SENSOR	1				
C05	33	T41935	21911586	CONNECTING BRIGDE	1				
C05	34	T41931	21911584	VALVE	1				
C05	35	T63364	21786063	TIE ROD	1			21302091	20562105
C05	37	T63363	21511649	FORK OVERDRIVE	1			8172473	

Notes

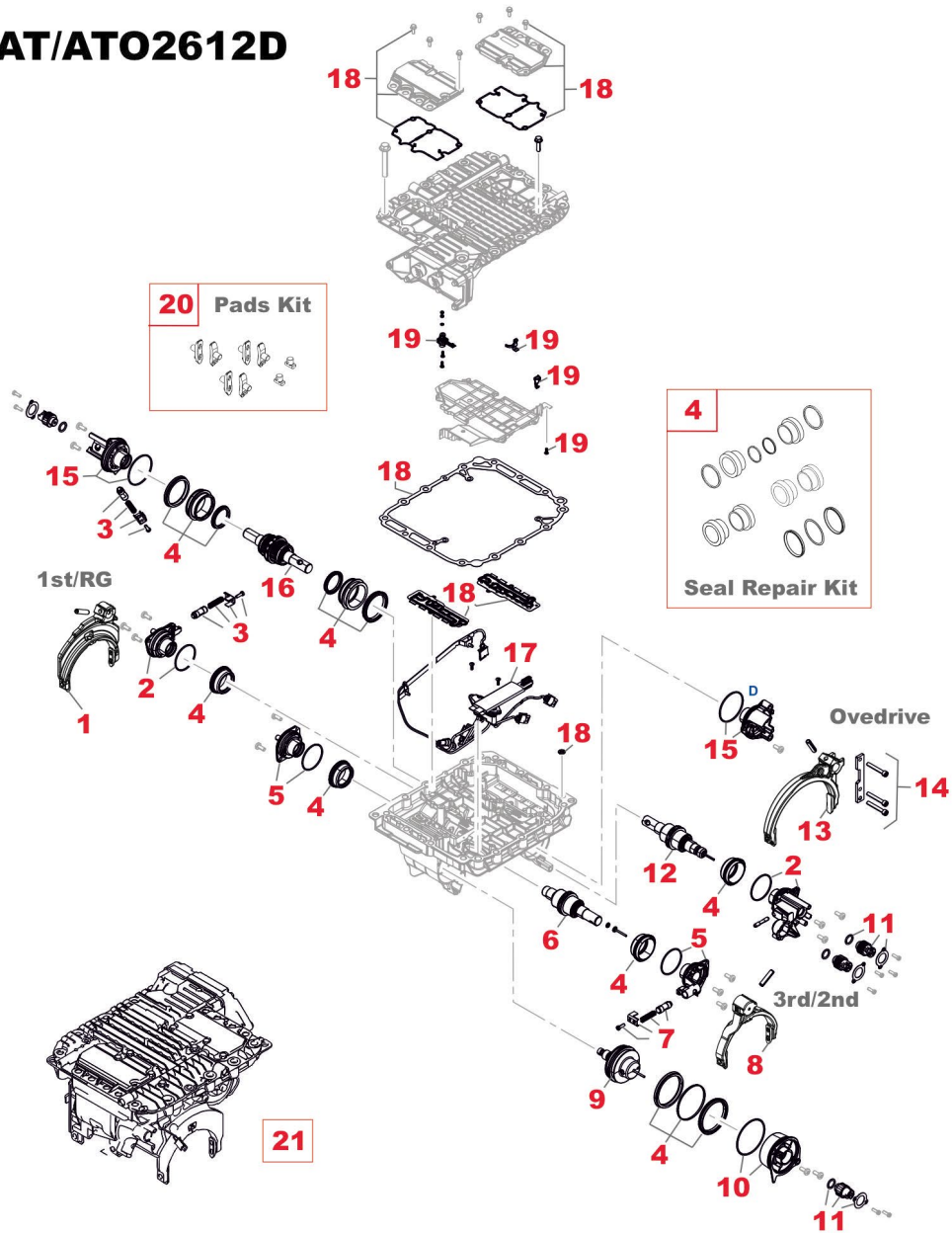


TRACTOR AUTOMOBILE SPARES
A WORLD OF QUALITY PARTS

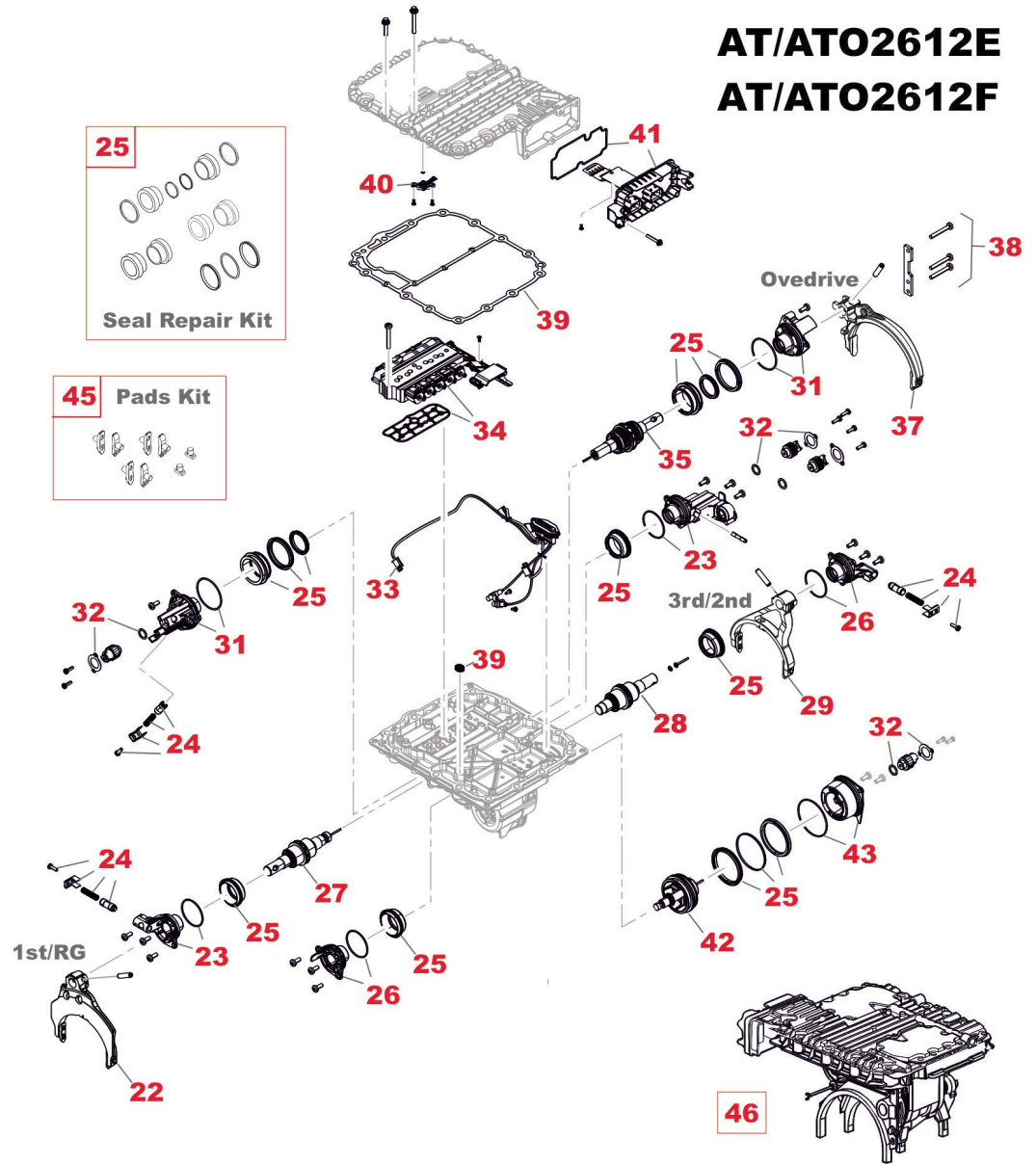
Page 35



AT/ATO2612D



AT/ATO2612E AT/ATO2612F



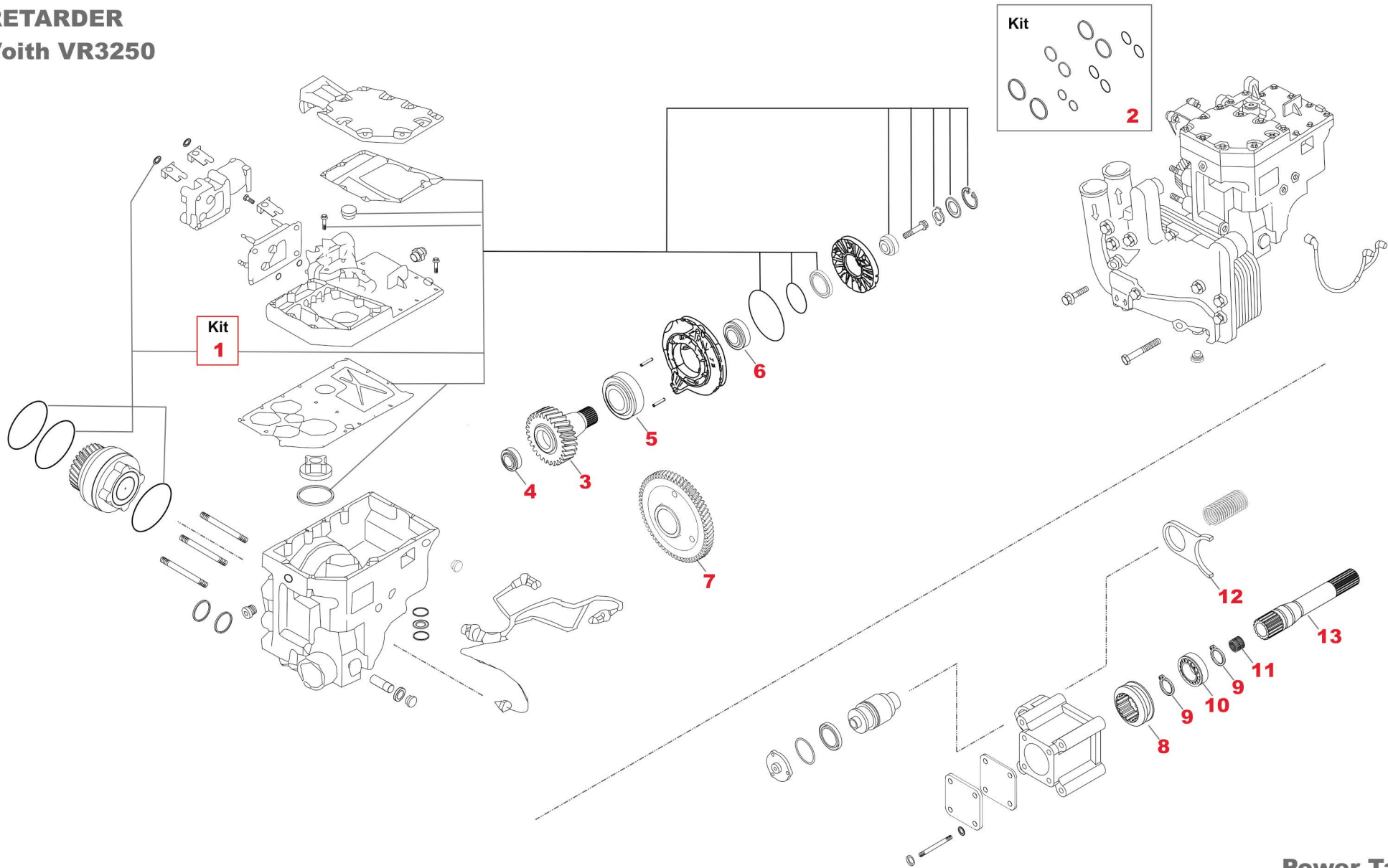
CH	FIG.	TAS no.	OEM no.	Description	Qty	Note	Note1	Ex/ Cross	Ex/ Cross
C05	38	T41939	22242766	BRAKET	1				
C05	39	T41941	21911585	GASKET	1				
C05	40	T41943	22242765	PRESSURE SENSOR	1				
C05	41	T41945	22242764	CONNECTION SUPPORT WITH SEALING	1				
C05	42	T63369	20562111	TIE ROD	1				
C05	43	T41927	20562636	CYLINDER	1				
C05	45	T63314	20968999	KIT PINS + SLIDING BLOCK	1				
C05	46	T41884	22780685	TRANSMISSION CONTROL UNIT TYPE E-F	1			21949395	

Notes





RETARDER Voith VR3250



P.T.O.
Power Take Off

CH	FIG.	TAS no.	OEM no.	Description	Qty	Note	Note1	Ex/ Cross	Ex/ Cross
C07	1	T84066	1530 0046 010	GASKET KIT VOITH RETARDER VR3250 FOR I-SHIFT	1				
C07	2	T76020	8171156	O-RING KIT	1				
C07	3	T81915	67.1153.15	SHAFT VOITH RETARDER VR3250 FOR I-SHIFT	1				
C07	4	T41636	H53054513	NEEDLE BEARING	1			67.2996.10	
C07	5	T41634	1900 1001 810	NEEDLE BEARING ROLLER(60X130X31)	1			NJ312EM.C3	
C07	6	T41635	1900 0874 410	NEEDLE BEARING (40X90X23)	1			QJ 308	
C07	7	T71105	20585994	RETARDER GEAR (63T.)	1				
C07	7	T49562	21010667	RETARDER GEAR (63T.)	1			20785178	
C07	8	T55314	1667266	SLIDING SLEEVE (16T.)	1				
C07	9	T47737	914472	SEEGER RING (T.2,00)	2				
C07	10	T94020	1655380	BEARING (50X90X23)	1				
C07	11	T41731	1655383	ROLLER BEARING (30X35X13)	1			1655383	
C07	12	T41633	1653858	FORK	1				
C07	12	T65612	21016483	FORK	1				
C07	12	T65611	21375084	FORK	1				
C07	13	T74189	20726050	SHAFT P.T.O.	1				

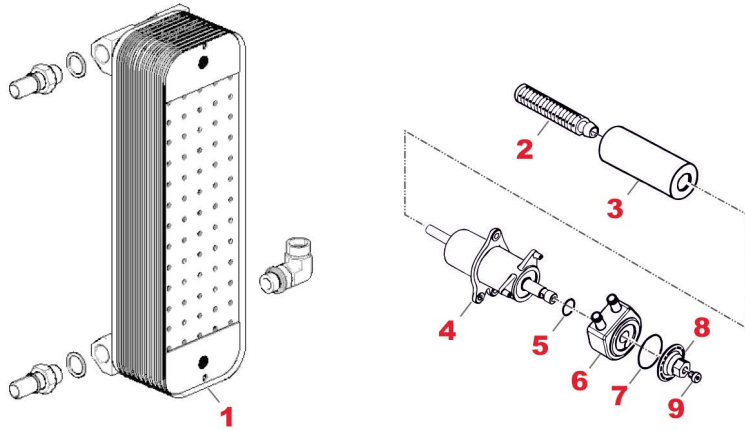
Notes



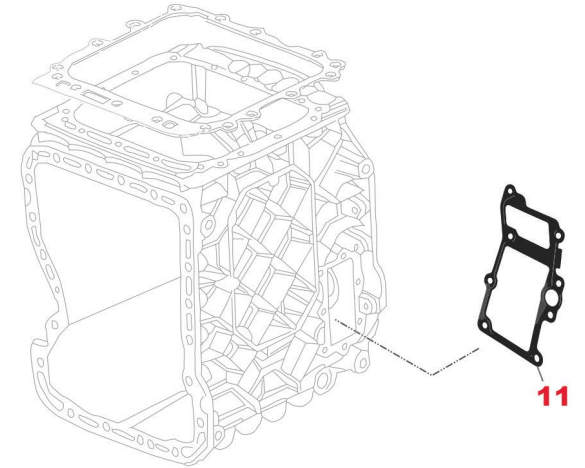
TRACTOR AUTOMOBILE SPARES
A WORLD OF QUALITY PARTS



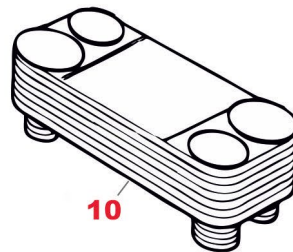
OIL COOLER COMPONENTS



SIDE HOUSING GASKET



RETARDER OIL COOLER



CH	FIG.	TAS no.	OEM no.	Description	Qty	Note	Note1	Ex/ Cross	Ex/ Cross
C99	1	T42081	21359570	OIL COOLER	1			20810884	
C99	2	T41638	1069997	OIL FILTER TUBE	1				
C99	3	T76018	21479106	OIL FILTER	1			22419050	85108176
C99	4	T41640	21969323	OIL FILTER PROTECTION	1			21566448	21566497
C99	5	T47154	967343	O-RING	1				
C99	6	T41643	21983348	CONNECTION BLOCK	1			20700752	
C99	7	T47154	967343	O-RING	1				
C99	8	T41645	21450629	COVER	1				
C99	9	T41646	1521691	PLUG	1				
C99	10	T42129	3092602	HEAT EXCHANGER	1				
C99	11	T76017	20483578	GASKET	1				

Notes



VL-CT-007



GEARBOX AND DIFFERENTIAL SPARE PARTS

Sede Amministrativa / Head Office

Via Argine, 306, 80147

Napoli (Italy)

Tel: +39 081 7520645

Fax: +39 081 7529475

email: web@tas-spa.com

<http://www.tas-spa.com>

Stabilimento Produttivi / Production Plant

Via Dell'Industria, 1

Argelato- Bologna (Italy)

Tel: +39 051 758154

Fax: +39 051 732707

email: web@tas-spa.com

<http://www.tas-spa.com>

www.tas-spa.com