

2020



**GEARBOX AND DIFFERENTIAL
SPARE PARTS**

Gearbox and Differential spare parts
suitable to :

VOLVO

AT03112C - AT03112D

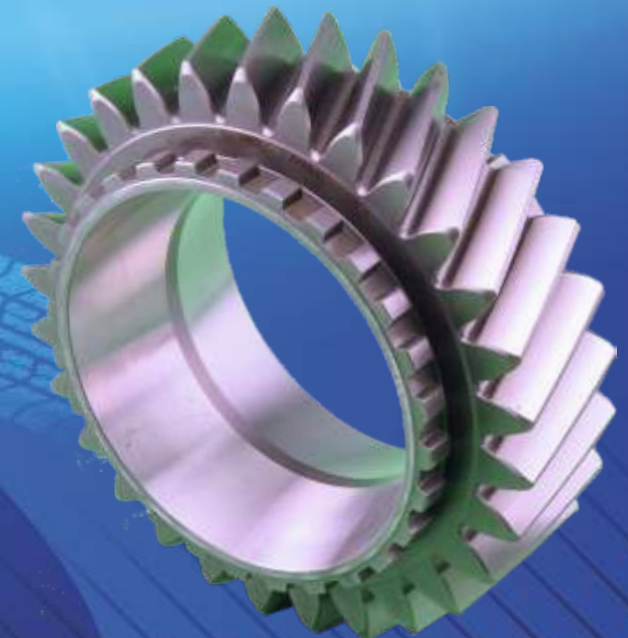
AT03112E - AT03112F

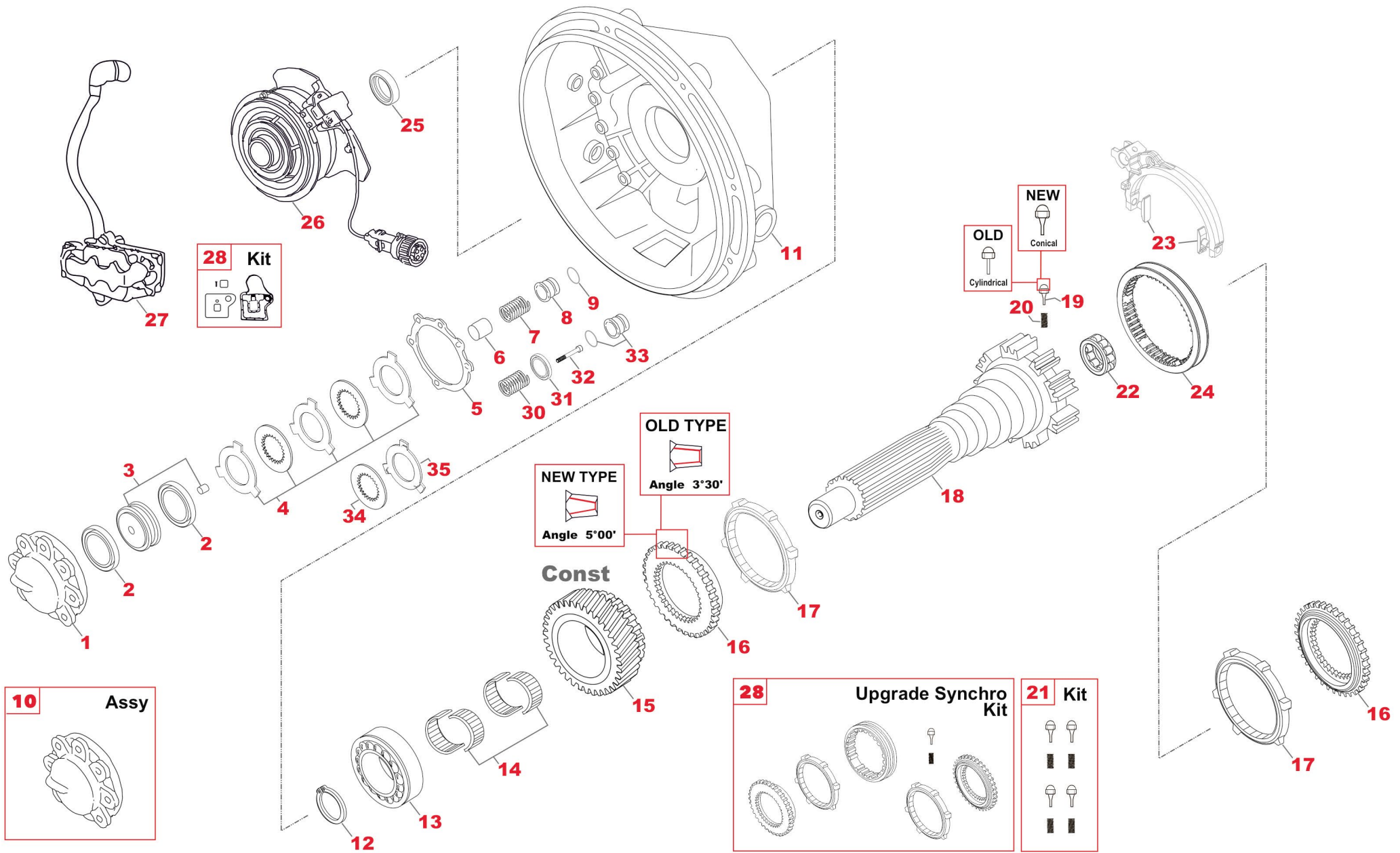
FH/FM Version 1

FH/FM Version 2

FMX - VAH - VHD - VN

Engine EURO IV & V & VI





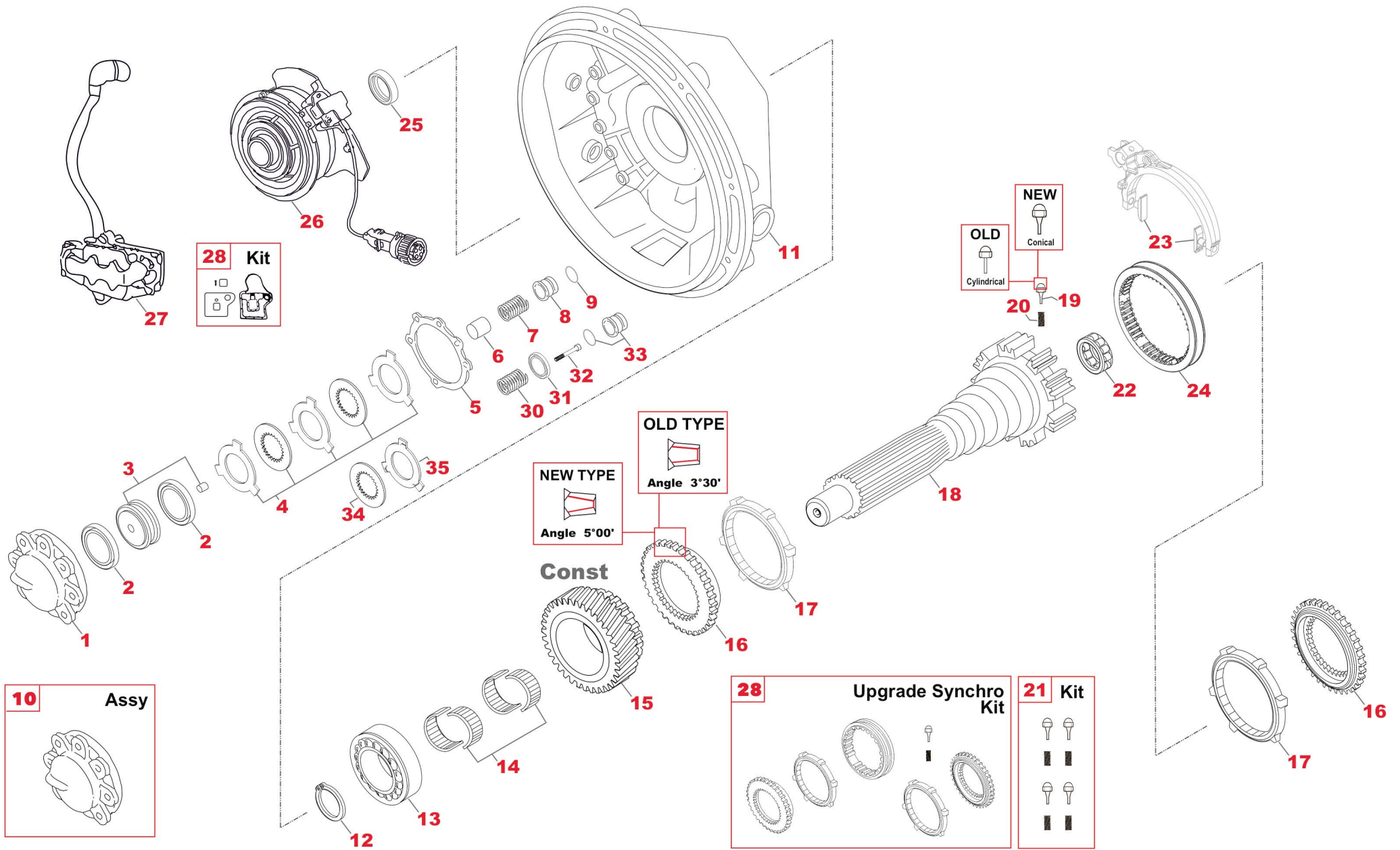
| CH | FIG. | TAS no. | OEM no. | Description | Qty | Note | Note1 | Ex/ Cross | Ex/ Cross |
|-----|------|---------------|----------|-----------------------------|-----|------|--------------|-----------|-----------|
| C01 | 1 | T59455 | 20483327 | COVER | 1 | | "C-D-E" Type | | |
| C01 | 1 | T65304 | 22617685 | COVER | 1 | | "F" Type | | |
| C01 | 2 | T47328 | 3192614 | OIL SEAL RING (91X74,8X5,5) | 2 | | | | |
| C01 | 3 | T78262 | 22312634 | PISTON | 1 | | "C-D-E" Type | 21011563 | 8171302 |
| C01 | 3 | T65307 | 22249234 | PISTON | 1 | | "F" Type | | |
| C01 | 4 | T78263 | 21666546 | DISCS KIT | 1 | | "C-D-E" Type | 21054210 | 8172818 |
| C01 | 4 | T65309 | 22678842 | DISCS KIT | 1 | | "F" Type | | |
| C01 | 5 | T59458 | 20497205 | GASKET | 1 | | | | |
| C01 | 6 | T63667 | 3192575 | PLUNGER | 1 | | "C-D-E" Type | | |
| C01 | 7 | T73533 | 8171668 | SPRING (14,6X2,5X23,7) | 1 | | "C-D-E" Type | | |
| C01 | 8 | T78264 | 3192573 | BACKSTOP | 1 | | "C-D-E" Type | | |
| C01 | 9 | T51251 | 949657 | O-RING (22,2X3) | 1 | | "C-D-E" Type | | |
| C01 | 10 | T41890 | TAS41890 | REPAIR KIT | 1 | ASSY | "C-D-E" Type | | |
| C01 | 10 | T65315 | TAS65315 | REPAIR KIT | 1 | ASSY | "F" Type | | |
| C01 | 11 | T63389 | 21679940 | HOUSING GEARBOX FRONT | 1 | | | | |
| C01 | 12 | T46222 | 1521473 | RETAINER RING (T.3,20) | 1 | | | | |
| C01 | 12 | T46223 | 1521474 | RETAINER RING (T.3,30) | 1 | | | | |
| C01 | 12 | T46224 | 1521475 | RETAINER RING (T.3,40) | 1 | | | | |

Notes

- (A) To be coupled together (Version with 3° 30' Conical Angle)
 (B) To be coupled together (Version with 5° 00' Conical Angle)



TRACTOR AUTOMOBILE SPARES
 A WORLD OF QUALITY PARTS



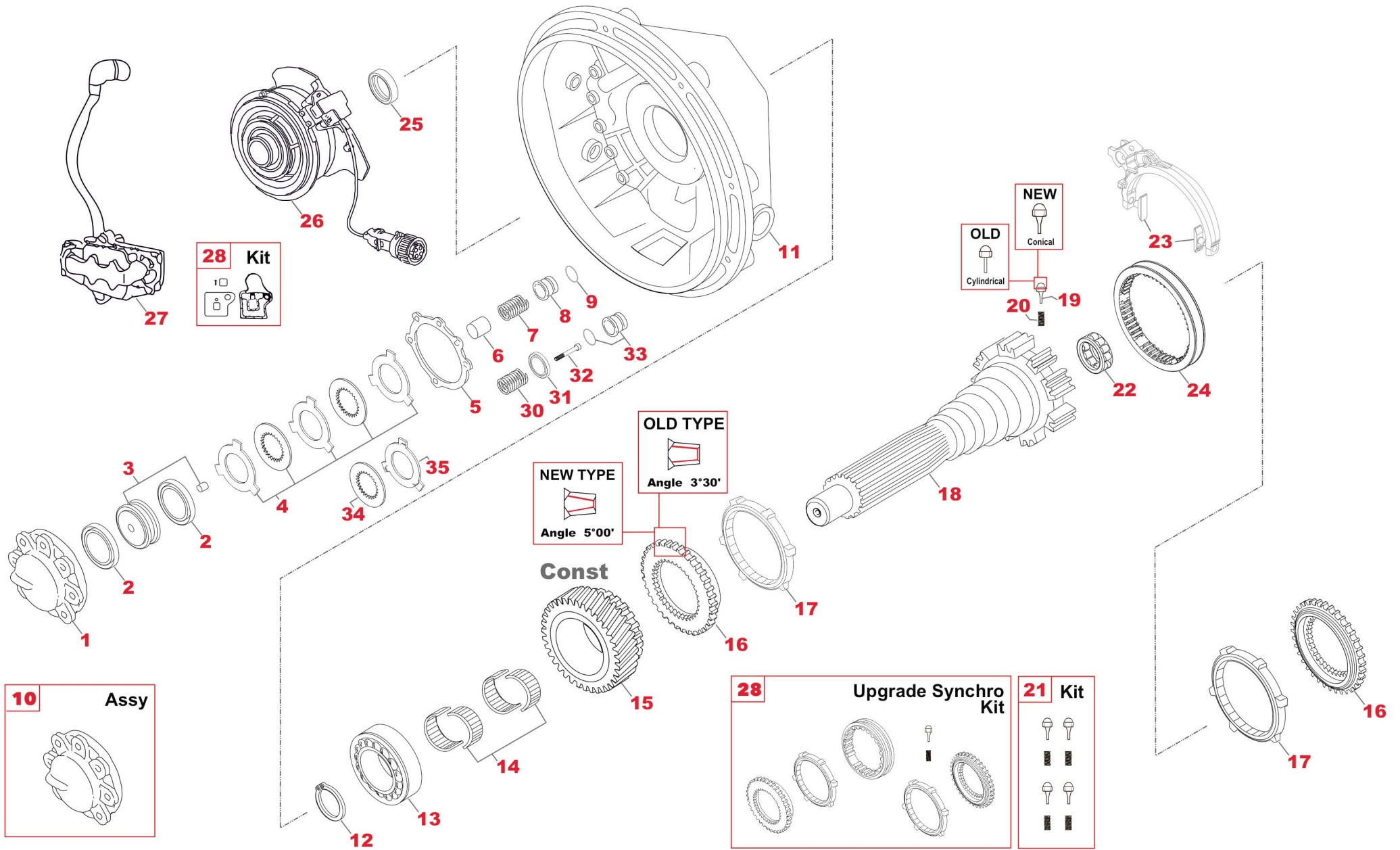
| CH | FIG. | TAS no. | OEM no. | Description | Qty | Note | Note1 | Ex/ Cross | Ex/ Cross |
|-----|------|---------------|----------|--------------------------------------|-----|------------|------------------|-----------|-----------|
| C01 | 12 | T46225 | 1521476 | RETAINER RING (T.3,50) | 1 | | | | |
| C01 | 13 | T49566 | 21626057 | TAPERED ROLLER BEARING (85X150X38,5) | 1 | | | 21553211 | 20483340 |
| C01 | 14 | T46211 | 1654088 | NEEDLE BEARING 2PCS (92X100X27) | 1 | | | 21652566 | 1652566 |
| C01 | 15 | T49567 | 20776790 | CONSTANT GEAR (28-40T.) | 1 | | | | |
| C01 | 16 | T18263 | 1673541 | SYNCHRO CONE (54-28T.) | 2 | (A) | OLD TYPE | 21673541 | |
| C01 | 16 | T19359 | 21994372 | SYNCHRO CONE (54-28T.) | 2 | (B) | NEW TYPE | 20760515 | |
| C01 | 17 | T18081 | 21992993 | SYNCHRO RING | 2 | | | 1521438 | 8171737 |
| C01 | 18 | T63307 | 21753181 | INPUT SHAFT W/PINS+SPRINGS | 1 | 24 SPLINES | With Kit Fig. 21 | 21516425 | 20771698 |
| C01 | 18 | T41377 | 22352397 | INPUT SHAFT | 1 | 24 SPLINES | With Kit Fig. 21 | 22168430 | |
| C01 | 19 | T18280 | 20766774 | PRESSURE PLUNGER | 4 | | CONICAL TYPE | 1521966 | |
| C01 | 20 | T18279 | 21140387 | SPRING | 4 | | | 20845477 | 20771480 |
| C01 | 21 | T65048 | 21141850 | KIT PINS+SPRINGS | 1 | | | 20805870 | 20845497 |
| C01 | 22 | T23884 | 1656116 | TAPERED ROLLER BEARING (40X38) | 1 | | | | |
| C01 | 23 | T59469 | 8171537 | SLIDING BLOCK (BRONZE) | 2 | | | 8172508 | |
| C01 | 24 | T19357 | 1673540 | SYNCHRO SLIDING SLEEVE (54T.) | 1 | (A) | OLD TYPE | 21673540 | |
| C01 | 24 | T19358 | 21994373 | SYNCHRO SLIDING SLEEVE (54T.) | 1 | (B) | NEW TYPE | 20760512 | |
| C01 | 25 | T49565 | 20483426 | OIL SEAL RING (57,5X13X90/99) | 1 | | | | |
| C01 | 26 | T63362 | 85003686 | CYLINDER | 1 | | | 21580965 | 21934653 |

Notes

- (A) To be coupled together (Version with 3° 30' Conical Angle)
(B) To be coupled together (Version with 5° 00' Conical Angle)



TRACTOR AUTOMOBILE SPARES
A WORLD OF QUALITY PARTS



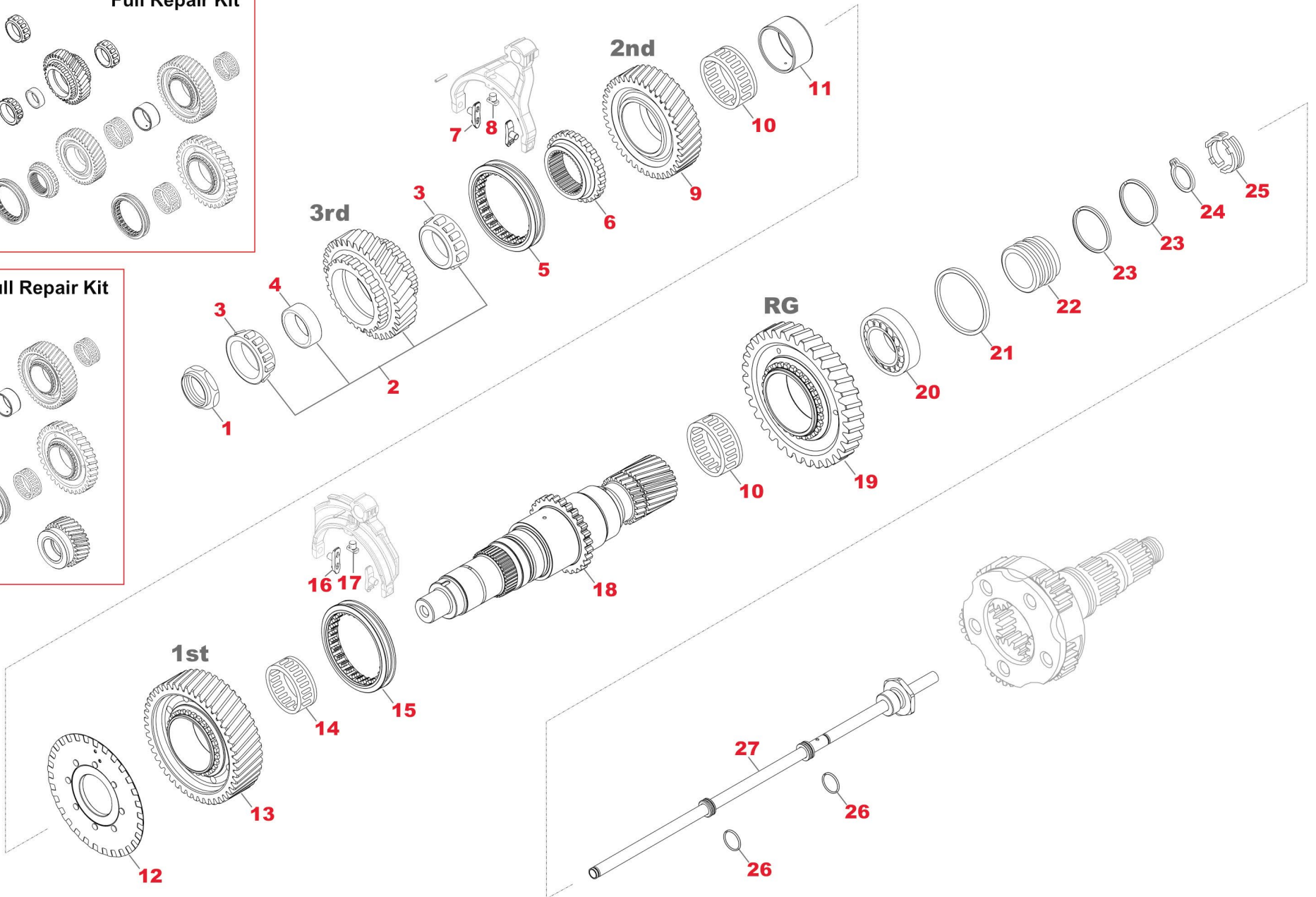
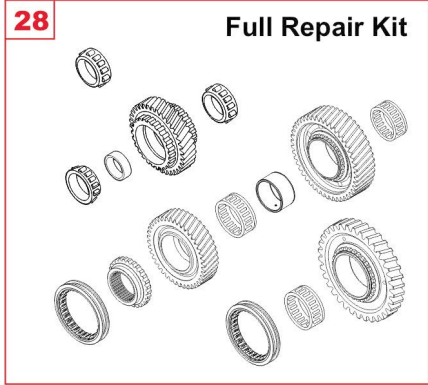
| CH | FIG. | TAS no. | OEM no. | Description | Qty | Note | Note1 | Ex/ Cross | Ex/ Cross |
|-----|------|---------------|----------|------------------------|-----|------|------------|-----------|-----------|
| C01 | 27 | T88574 | 22327063 | VALVE | 1 | | "C-D" Type | 21965253 | 21710522 |
| C01 | 27 | T41809 | 22327072 | VALVE | 1 | | "E-F" Type | 21965284 | |
| C01 | 28 | T55284 | 20739643 | KIT FOR SOLENOID VALVE | 1 | | | | |
| C01 | 29 | T93470 | TAS93470 | SYNCHRO KIT | 1 | (A) | OLD TYPE | | |
| C01 | 29 | T73852 | 21671426 | SYNCHRO KIT | 1 | (B) | NEW TYPE | | |
| C01 | 30 | T65310 | 22197435 | SPRING | 1 | | "F" Type | | |
| C01 | 31 | T65312 | 20744144 | WASHER | 1 | | "F" Type | | |
| C01 | 32 | T65311 | 994501 | SCREW | 1 | | "F" Type | | |
| C01 | 33 | T65314 | 22503041 | SPRING KIT | 1 | | "F" Type | | |
| C01 | 34 | T65313 | 22550015 | WASHER | 1 | | "F" Type | | |
| C01 | 35 | T65588 | 22617655 | WASHER | 1 | | "F" Type | | |

Notes

- (A) To be coupled together (Version with 3° 30' Conical Angle)
- (B) To be coupled together (Version with 5° 00' Conical Angle)



TRACTOR AUTOMOBILE SPARES
A WORLD OF QUALITY PARTS

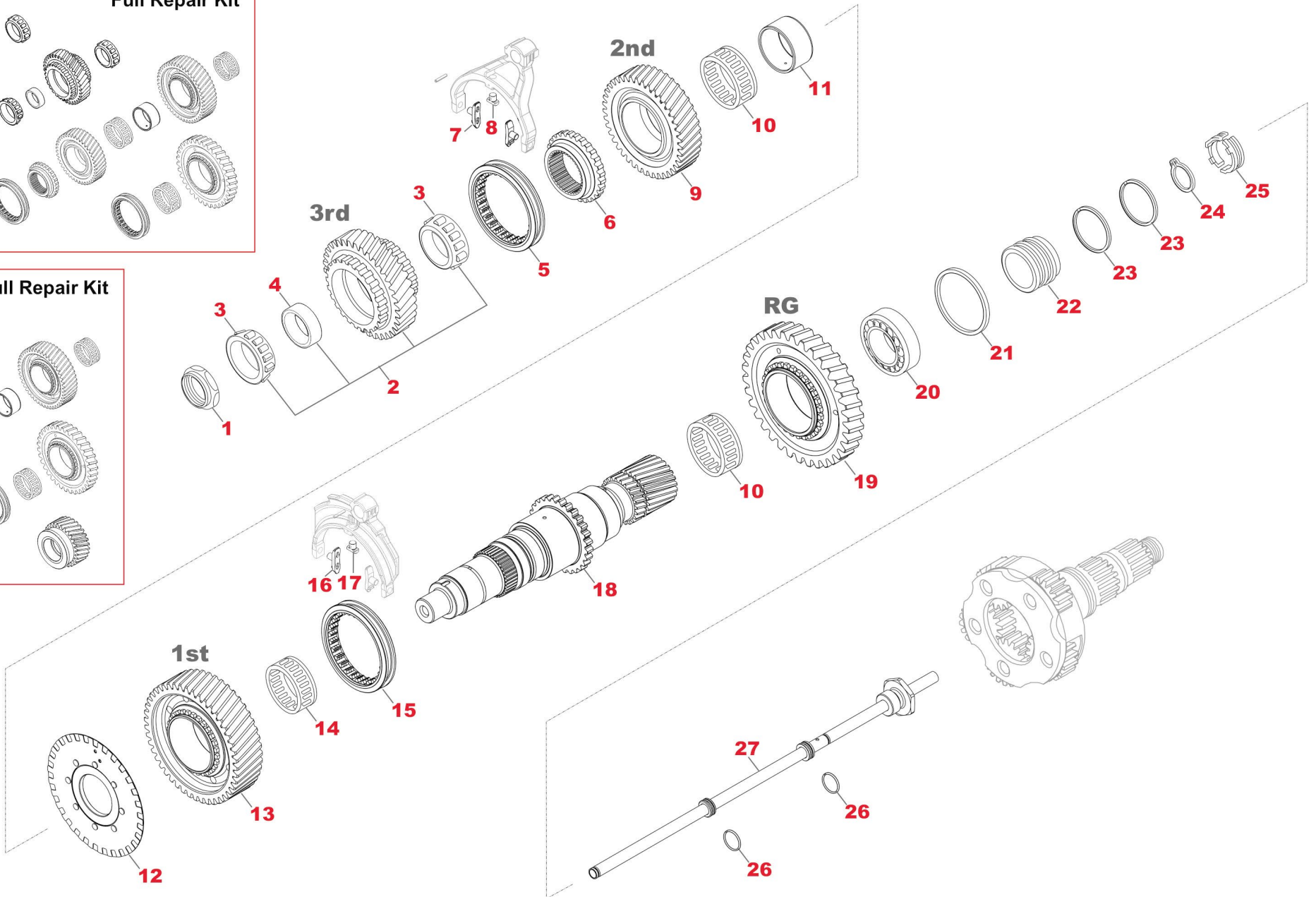
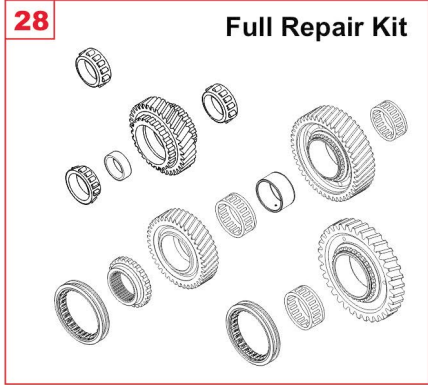


| CH | FIG. | TAS no. | OEM no. | Description | Qty | Note | Note1 | Ex/ Cross | Ex/ Cross |
|-----|------|---------------|----------|--------------------------------|-----|----------|----------------|-----------|-----------|
| C02 | 1 | T46216 | 1521449 | NUT M60X2 | 1 | | | | |
| C02 | 2 | T84056 | 22499139 | 3RD SPEED GEAR KIT (28-35T.) | 1 | | | 20771311 | 20532210 |
| C02 | 3 | T20623 | 1521596 | TAPERED ROLLER BEARING (65X34) | 2 | | | | |
| C02 | 4 | T20621 | 1521657 | SPACER (T.10,26) | 1 | | | | |
| C02 | 5 | T49648 | 22368562 | SYNCHRO SLIDING SLEEVE (28T.) | 1 | | | 20532224 | 22004974 |
| C02 | 6 | T49649 | 20532220 | SYNCHRO HUB (28-37T.) | 1 | | | | |
| C02 | 7 | T59471 | 3152823 | SLIDING BLOCK (BRONZE) | 2 | | | | |
| C02 | 8 | T59473 | 20542598 | SLIDING BLOCK (BRONZE) | 1 | Old Type | D. 11,00 mm | | |
| C02 | 8 | T63312 | 20859730 | SLIDING BLOCK (BRONZE) | 1 | New Type | D.12,00 mm | | |
| C02 | 9 | T63309 | 22219285 | 2ND SPEED GEAR (28-41T.) | 1 | | | 22219261 | 20540062 |
| C02 | 10 | T46230 | 1652575 | NEEDLE BEARING (90X98X45,5) | 2 | | | | |
| C02 | 11 | T43845 | 1652578 | BUSH (90X80X46,2) | 1 | | | 21652578 | |
| C02 | 12 | T46964 | 20542400 | WHEEL SENSOR (30T.) | 1 | | "C" Series | 8172141 | |
| C02 | 12 | T49651 | 21034006 | WHEEL SENSOR (72T.) | 1 | | "D-E-F" Series | | |
| C02 | 13 | T49652 | 21979816 | 1ST SPEED GEAR (28-46T.) | 1 | | | 20906486 | 20532215 |
| C02 | 14 | T46228 | 1521452 | NEEDLE BEARING (95X103X60) | 1 | | | | |
| C02 | 15 | T49648 | 22368562 | SYNCHRO SLIDING SLEEVE (28T.) | 1 | | | 20532224 | 22004974 |
| C02 | 16 | T59471 | 3152823 | SLIDING BLOCK (BRONZE) | 2 | | | | |

Notes



TRACTOR AUTOMOBILE SPARES
A WORLD OF QUALITY PARTS

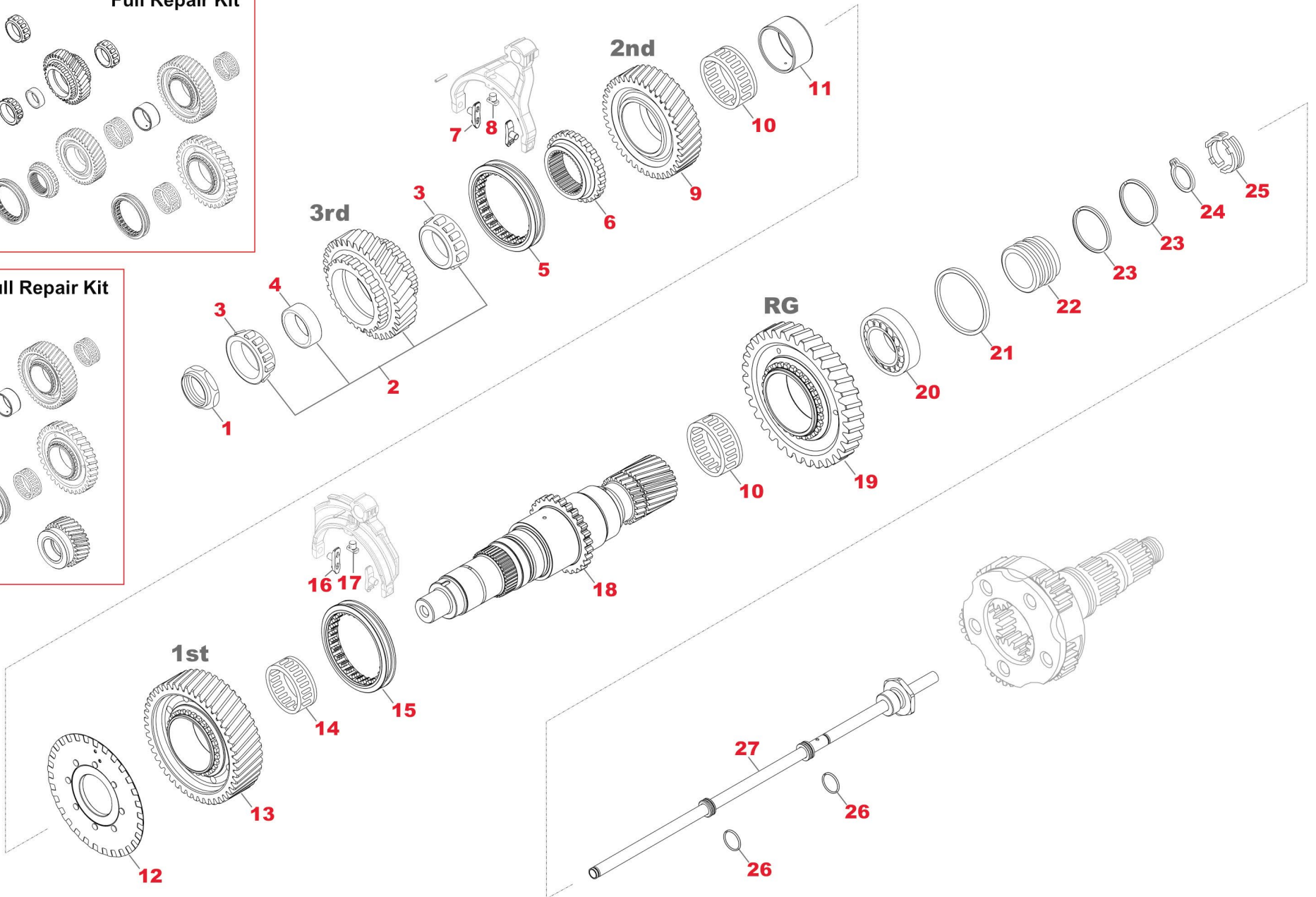


| CH | FIG. | TAS no. | OEM no. | Description | Qty | Note | Note1 | Ex/ Cross | Ex/ Cross |
|-----|------|---------------|----------|--------------------------------------|-----|----------|-------------|-----------|-----------|
| C02 | 17 | T59473 | 20542598 | SLIDING BLOCK (BRONZE) | 1 | Old Type | D. 11,00 mm | | |
| C02 | 17 | T63312 | 20859730 | SLIDING BLOCK (BRONZE) | 1 | New Type | D.12,00 mm | | |
| C02 | 18 | T49653 | 20739229 | MAIN SHAFT (23-23-28-37T.) | 1 | | | 20532222 | |
| C02 | 19 | T49655 | 22763347 | REVERSE GEAR (28-34T.) | 1 | | | 21979813 | 22763342 |
| C02 | 20 | T49566 | 21626057 | TAPERED ROLLER BEARING (85X150X38,5) | 1 | | | 21553211 | 20483340 |
| C02 | 21 | T63354 | 25640768 | SHIM (T.2,42) | 1 | | | | |
| C02 | 21 | T63352 | 25640767 | SHIM (T.2,38) | 1 | | | | |
| C02 | 21 | T63348 | 25640765 | SHIM (T.2,30) | 1 | | | | |
| C02 | 21 | T51064 | 25640764 | SHIM (T.2,26) | 1 | | | | |
| C02 | 21 | T51063 | 25640763 | SHIM (T.2,22) | 1 | | | | |
| C02 | 21 | T63346 | 25640762 | SHIM (T.2,18) | 1 | | | | |
| C02 | 21 | T63344 | 25640761 | SHIM (T.2,14) | 1 | | | | |
| C02 | 21 | T63342 | 25640760 | SHIM (T.2,10) | 1 | | | | |
| C02 | 21 | T63340 | 25640759 | SHIM (T.2,06) | 1 | | | | |
| C02 | 21 | T63338 | 25640758 | SHIM (T.2,02) | 1 | | | | |
| C02 | 21 | T63336 | 25640757 | SHIM (T.1,98) | 1 | | | | |
| C02 | 21 | T63334 | 25640756 | SHIM (T.1,94) | 1 | | | | |
| C02 | 21 | T63332 | 25640755 | SHIM (T.1,90) | 1 | | | | |

Notes



TRACTOR AUTOMOBILE SPARES
A WORLD OF QUALITY PARTS

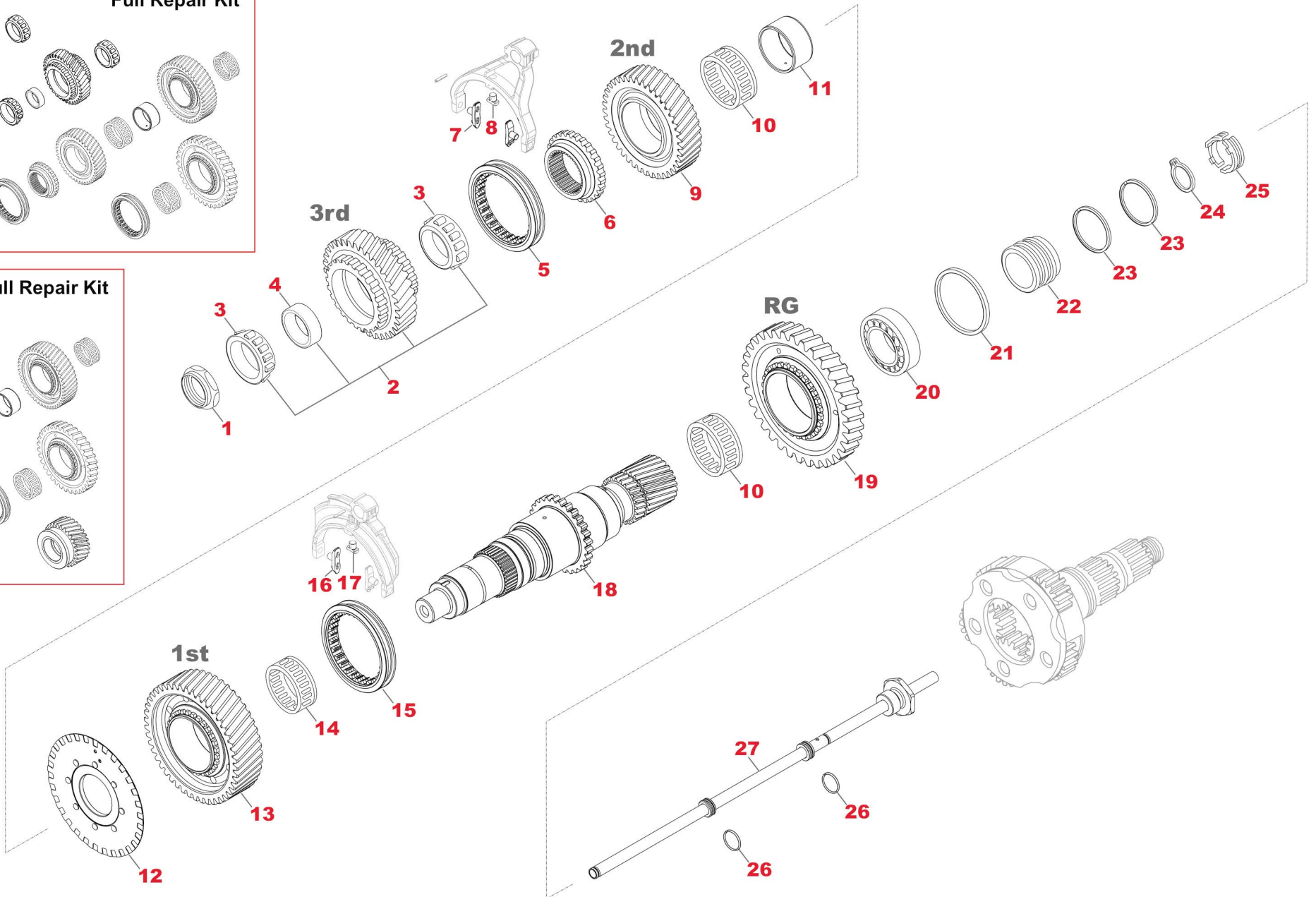
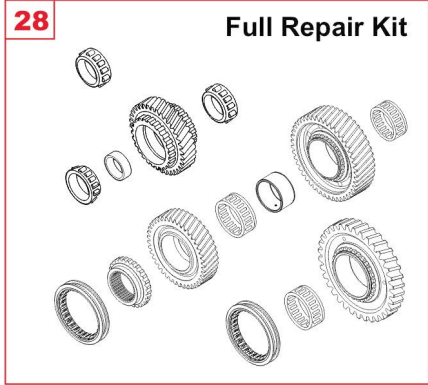


| CH | FIG. | TAS no. | OEM no. | Description | Qty | Note | Note1 | Ex/ Cross | Ex/ Cross |
|-----|------|---------------|----------|---------------|-----|------|-------|-----------|-----------|
| C02 | 21 | T63330 | 25640754 | SHIM (T.1,86) | 1 | | | | |
| C02 | 21 | T63328 | 25640753 | SHIM (T.1,82) | 1 | | | | |
| C02 | 21 | T54972 | 25640752 | SHIM (T.1,78) | 1 | | | | |
| C02 | 21 | T54974 | 25640751 | SHIM (T.1,74) | 1 | | | | |
| C02 | 21 | T54976 | 25640750 | SHIM (T.1,70) | 1 | | | | |
| C02 | 21 | T54978 | 25640749 | SHIM (T.1,66) | 1 | | | | |
| C02 | 21 | T54980 | 25640748 | SHIM (T.1,62) | 1 | | | | |
| C02 | 21 | T54982 | 25640747 | SHIM (T.1,58) | 1 | | | | |
| C02 | 21 | T54984 | 25640746 | SHIM (T.1,54) | 1 | | | | |
| C02 | 21 | T54986 | 25640745 | SHIM (T.1,50) | 1 | | | | |
| C02 | 21 | T54988 | 25640744 | SHIM (T.1,46) | 1 | | | | |
| C02 | 21 | T54990 | 25640743 | SHIM (T.1,42) | 1 | | | | |
| C02 | 21 | T54992 | 25640742 | SHIM (T.1,38) | 1 | | | | |
| C02 | 21 | T54994 | 25640741 | SHIM (T.1,34) | 1 | | | | |
| C02 | 21 | T63326 | 25640740 | SHIM (T.1,30) | 1 | | | | |
| C02 | 21 | T54996 | 25640739 | SHIM (T.1,26) | 1 | | | | |
| C02 | 21 | T54998 | 25640738 | SHIM (T.1,22) | 1 | | | | |
| C02 | 21 | T54999 | 25640737 | SHIM (T.1,18) | 1 | | | | |

Notes



TRACTOR AUTOMOBILE SPARES
A WORLD OF QUALITY PARTS

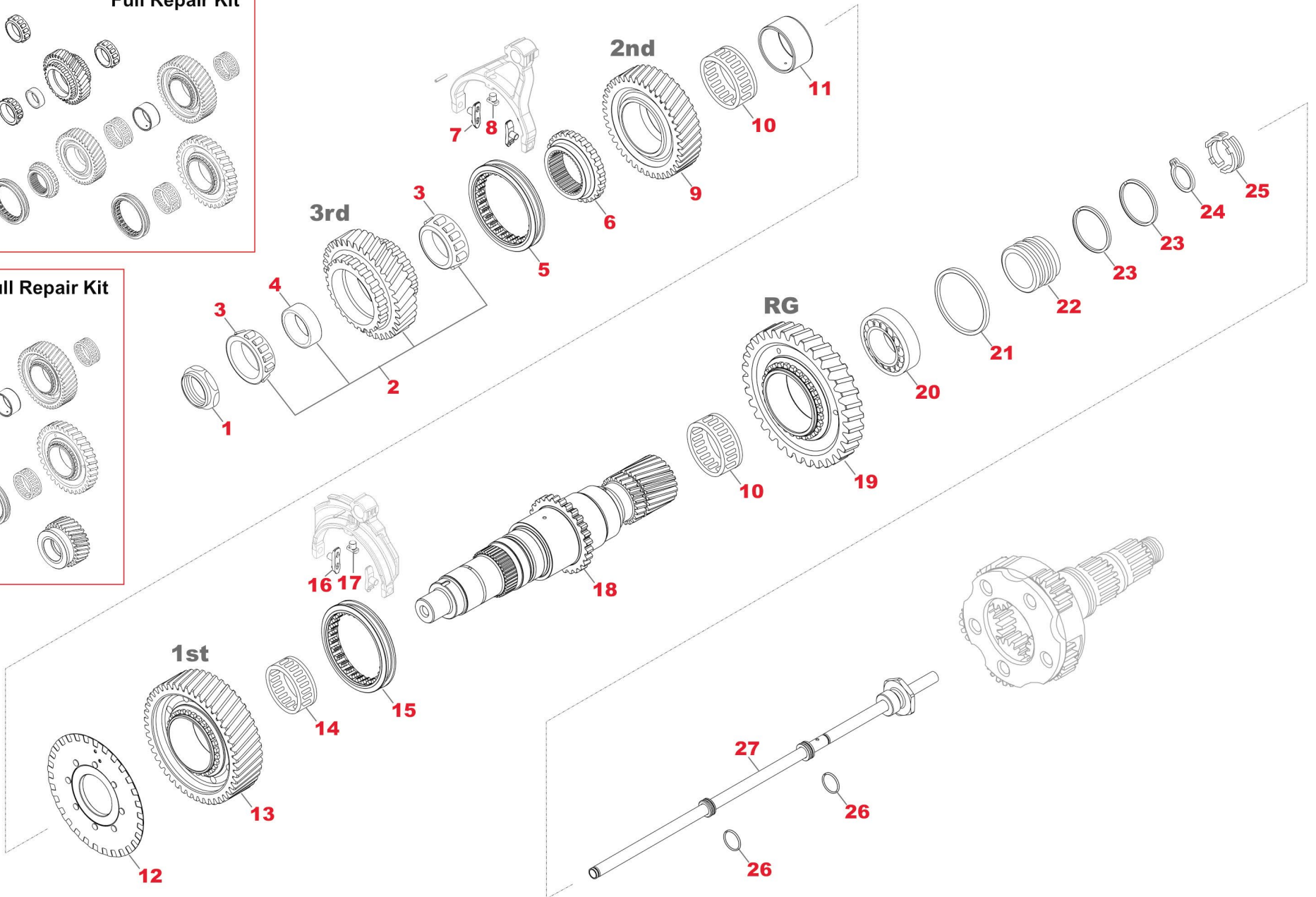
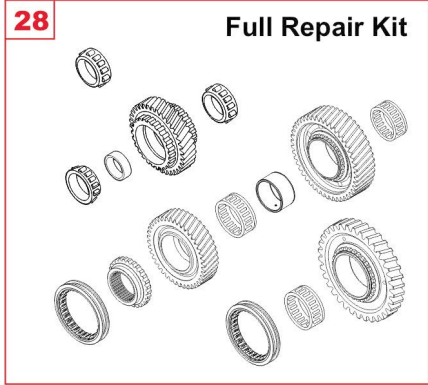


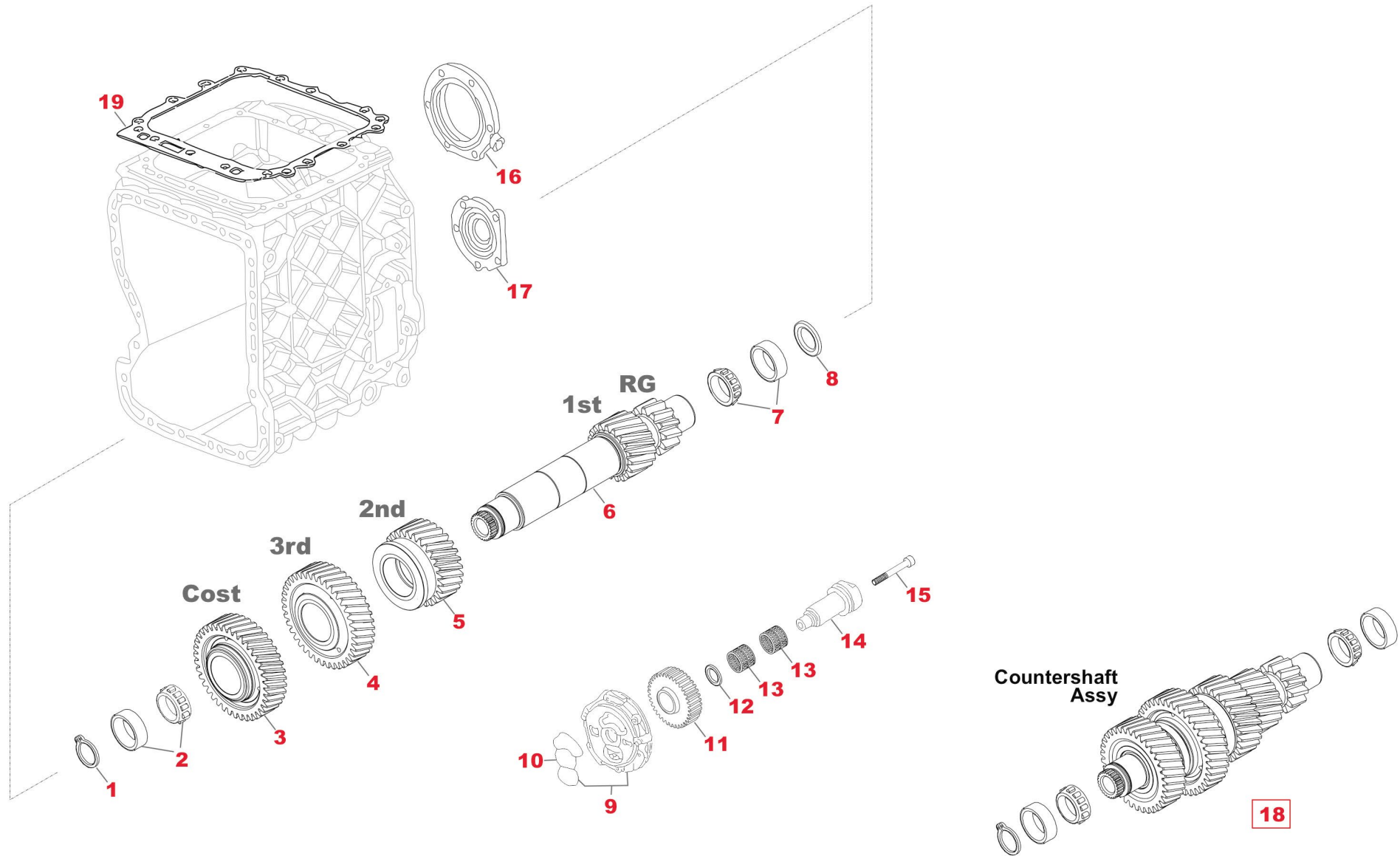
| CH | FIG. | TAS no. | OEM no. | Description | Qty | Note | Note1 | Ex/ Cross | Ex/ Cross |
|-----|------|---------------|----------|------------------------|-----|------|-------|-----------|-----------|
| C02 | 21 | T55000 | 25640736 | SHIM (T.1,14) | 1 | | | | |
| C02 | 21 | T63324 | 25640735 | SHIM (T.1,10) | 1 | | | | |
| C02 | 21 | T63368 | 25640734 | SHIM (T.1,06) | 1 | | | | |
| C02 | 21 | T63322 | 25640733 | SHIM (T.1,02) | 1 | | | | |
| C02 | 21 | T63320 | 25640732 | SHIM (T.0,98) | 1 | | | | |
| C02 | 21 | T63318 | 25640731 | SHIM (T.0,94) | 1 | | | | |
| C02 | 21 | T55001 | 25640730 | SHIM (T.0,90) | 1 | | | | |
| C02 | 22 | T49656 | 21695754 | SPACER | 1 | | | 21339270 | 20533124 |
| C02 | 23 | T46237 | 1652820 | RING (T.4,50) | 2 | | | 22328752 | |
| C02 | 24 | T49657 | 20483569 | RETAINER RING (T.4,30) | 1 | | | | |
| C02 | 24 | T49658 | 20507499 | RETAINER RING (T.4,20) | 1 | | | | |
| C02 | 24 | T49659 | 20507500 | RETAINER RING (T.4,10) | 1 | | | | |
| C02 | 24 | T49660 | 20507501 | RETAINER RING (T.4,00) | 1 | | | | |
| C02 | 24 | T49661 | 20507502 | RETAINER RING (T.3,90) | 1 | | | | |
| C02 | 24 | T49662 | 20507503 | RETAINER RING (T.3,80) | 1 | | | | |
| C02 | 24 | T49663 | 20507504 | RETAINER RING (T.3,70) | 1 | | | | |
| C02 | 25 | T49686 | 20740039 | RETAINER RING | 1 | | | | |
| C02 | 26 | T46239 | 949656 | O-RING (19X3) | 2 | | | 925059 | |

Notes



TRACTOR AUTOMOBILE SPARES
A WORLD OF QUALITY PARTS



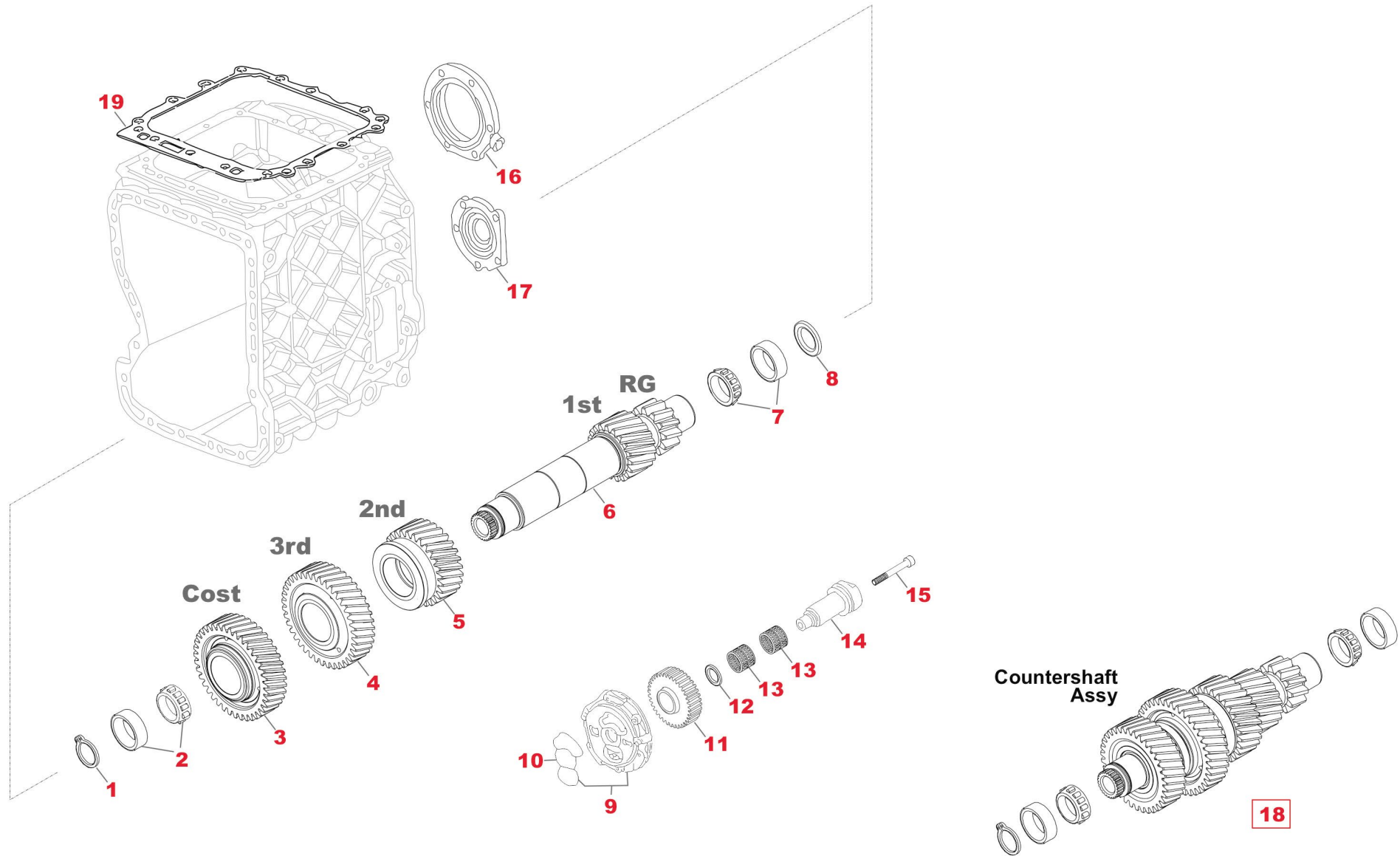


| CH | FIG. | TAS no. | OEM no. | Description | Qty | Note | Note1 | Ex/ Cross | Ex/ Cross |
|-----|------|---------------|----------|------------------------------------|-----|------|-------|-----------|-----------|
| C03 | 1 | T47087 | 1652801 | SEEGER RING (T.2,50) | 1 | | | | |
| C03 | 1 | T46246 | 1652800 | SEEGER RING (T.2,40) | 1 | | | | |
| C03 | 1 | T47088 | 1652799 | SEEGER RING (T.2,30) | 1 | | | | |
| C03 | 1 | T46245 | 1652798 | SEEGER RING (T.2,20) | 1 | | | | |
| C03 | 1 | T47089 | 1652797 | SEEGER RING (T.2,10) | 1 | | | | |
| C03 | 1 | T46244 | 1652796 | SEEGER RING (T.2,00) | 1 | | | | |
| C03 | 2 | T37661 | 21627792 | TAPERED ROLLER BEARING (60X110X38) | 1 | | | 183665 | 1652563 |
| C03 | 3 | T49602 | 20483432 | CONSTANT GEAR CNTRSHFT (35T.) | 1 | | | | |
| C03 | 4 | T49603 | 20483434 | 3RD SPEED GEAR CNTRSHFT (39T.) | 1 | | | 20366990 | |
| C03 | 5 | T55289 | 22219353 | 2ND SPEED GEAR CNTRSHFT (28T.) | 1 | | | 20544783 | 20544781 |
| C03 | 6 | T49572 | 20544785 | COUNTERSHAFT (19-12T.) | 1 | | | | |
| C03 | 7 | T63358 | 22283632 | TAPERED ROLLER BEARING (60X115X40) | 1 | | | 21660722 | 184650 |
| C03 | 8 | T63386 | 25640728 | WASHER (T.2,02) | 1 | | | | |
| C03 | 8 | T63385 | 25640727 | WASHER (T.1,98) | 1 | | | | |
| C03 | 8 | T63384 | 25640726 | WASHER (T.1,94) | 1 | | | | |
| C03 | 8 | T63383 | 25640725 | WASHER (T.1,90) | 1 | | | | |
| C03 | 8 | T55926 | 25640724 | WASHER (T.1,86) | 1 | | | | |
| C03 | 8 | T55927 | 25640723 | WASHER (T.1,82) | 1 | | | | |

Notes



TRACTOR AUTOMOBILE SPARES
A WORLD OF QUALITY PARTS

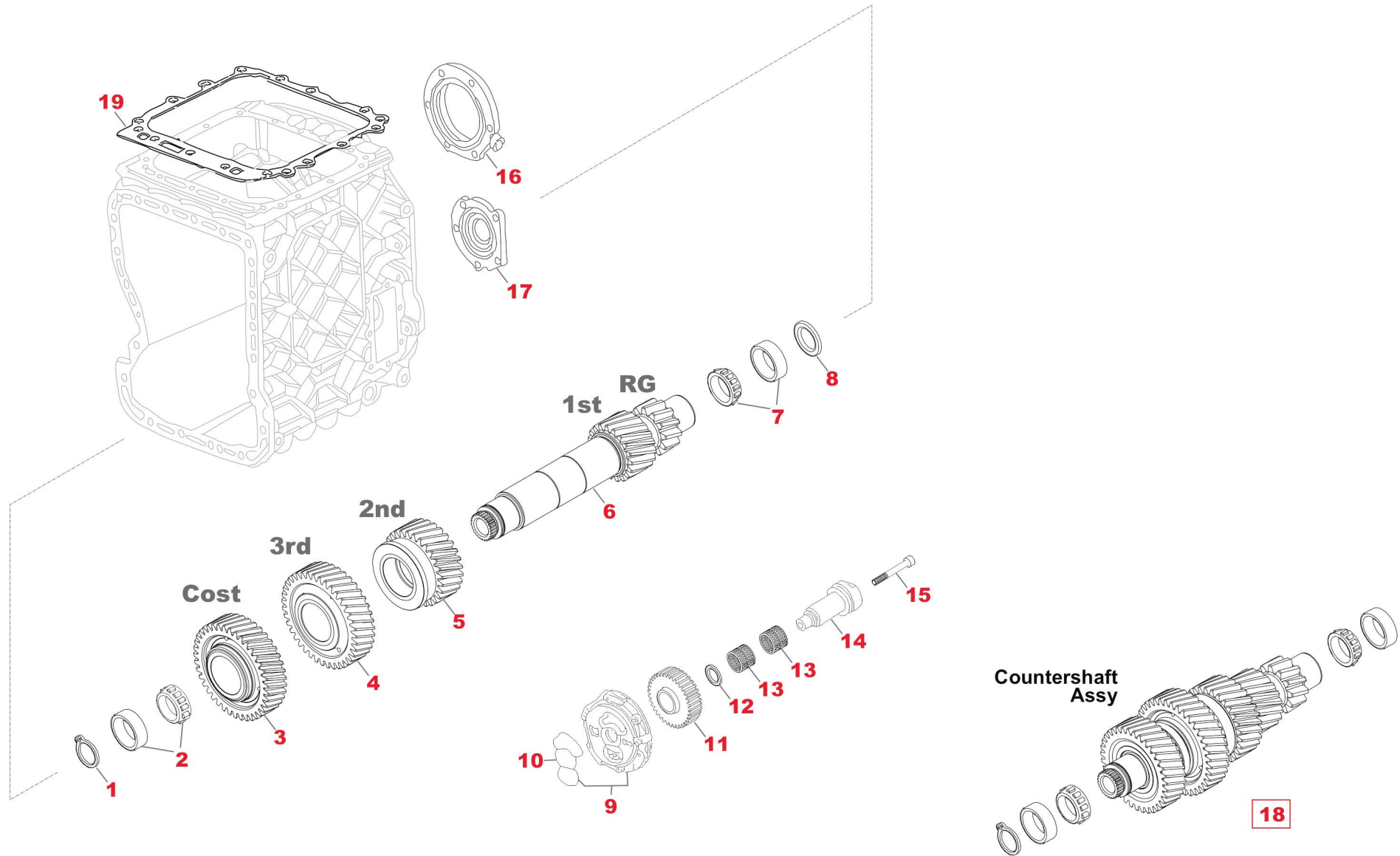


| CH | FIG. | TAS no. | OEM no. | Description | Qty | Note | Note1 | Ex/ Cross | Ex/ Cross |
|-----|------|---------------|----------|-----------------|-----|------|-------|-----------|-----------|
| C03 | 8 | T55928 | 25640722 | WASHER (T.1,78) | 1 | | | | |
| C03 | 8 | T55929 | 25640721 | WASHER (T.1,74) | 1 | | | | |
| C03 | 8 | T55930 | 25640720 | WASHER (T.1,70) | 1 | | | | |
| C03 | 8 | T55931 | 25640719 | WASHER (T.1,66) | 1 | | | | |
| C03 | 8 | T55932 | 25640718 | WASHER (T.1,62) | 1 | | | | |
| C03 | 8 | T55933 | 25640717 | WASHER (T.1,58) | 1 | | | | |
| C03 | 8 | T55934 | 25640716 | WASHER (T.1,54) | 1 | | | | |
| C03 | 8 | T55935 | 25640715 | WASHER (T.1,50) | 1 | | | | |
| C03 | 8 | T55936 | 25640714 | WASHER (T.1,46) | 1 | | | | |
| C03 | 8 | T55937 | 25640713 | WASHER (T.1,42) | 1 | | | | |
| C03 | 8 | T63382 | 25640712 | WASHER (T.1,38) | 1 | | | | |
| C03 | 8 | T63381 | 25640711 | WASHER (T.1,34) | 1 | | | | |
| C03 | 8 | T63380 | 25640710 | WASHER (T.1,30) | 1 | | | | |
| C03 | 8 | T63379 | 25640709 | WASHER (T.1,26) | 1 | | | | |
| C03 | 8 | T63378 | 25640708 | WASHER (T.1,22) | 1 | | | | |
| C03 | 8 | T63377 | 25640707 | WASHER (T.1,18) | 1 | | | | |
| C03 | 8 | T63376 | 25640706 | WASHER (T.1,14) | 1 | | | | |
| C03 | 8 | T63375 | 25640705 | WASHER (T.1,10) | 1 | | | | |

Notes



TRACTOR AUTOMOBILE SPARES
A WORLD OF QUALITY PARTS

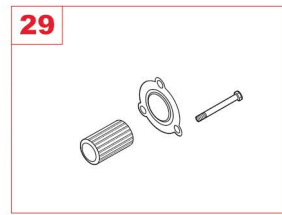
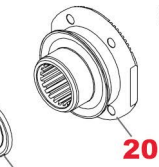
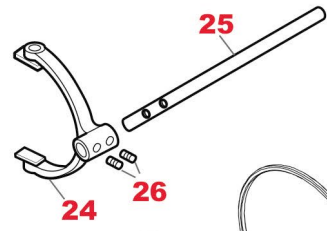
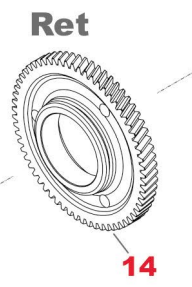
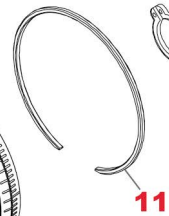
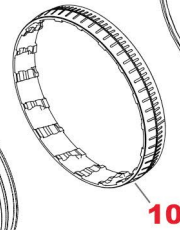
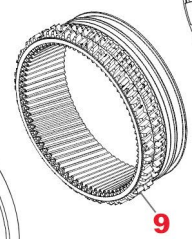
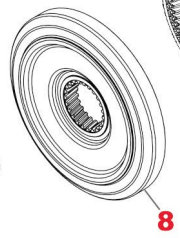
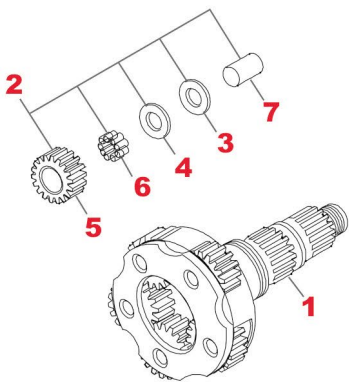
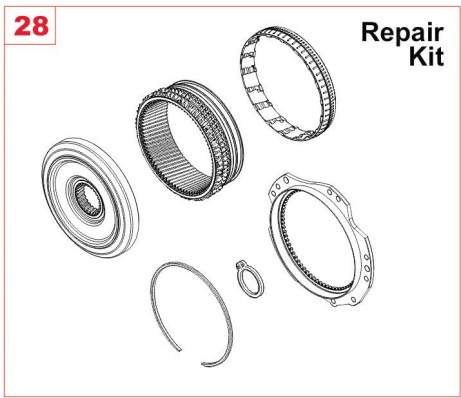


| CH | FIG. | TAS no. | OEM no. | Description | Qty | Note | Note1 | Ex/ Cross | Ex/ Cross |
|-----|------|---------------|----------|---------------------------|-----|----------|--------------|-----------|-----------|
| C03 | 8 | T63374 | 25640704 | WASHER (T.1,06) | 1 | | | | |
| C03 | 8 | T63373 | 25640703 | WASHER (T.1,02) | 1 | | | | |
| C03 | 8 | T63372 | 25640702 | WASHER (T.0,98) | 1 | | | | |
| C03 | 8 | T63371 | 25640701 | WASHER (T.0,94) | 1 | | | | |
| C03 | 8 | T55938 | 25640700 | WASHER (T.0,90) | 1 | | | | |
| C03 | 9 | T63360 | 22196494 | OIL PUMP | 1 | | | 21730437 | 20567034 |
| C03 | 10 | T49606 | 20537032 | O-RING | 1 | | | | |
| C03 | 11 | T49608 | 22763330 | REVERSE GEAR (20T.) | 1 | | | 20483570 | 22763337 |
| C03 | 12 | T49609 | 20483575 | SPACER | 1 | | | | |
| C03 | 13 | T64119 | 20483574 | NEEDLE BEARING (38X46X32) | 2 | | | | |
| C03 | 14 | T49611 | 20785053 | PIVOT REVERSE | 1 | | | | |
| C03 | 15 | T63387 | 984765 | SCREW (M10X140) | 1 | | | | |
| C03 | 16 | T63398 | 21664150 | COVER REAR | 1 | | | | |
| C03 | 16 | T63403 | 21636544 | COVER REAR | 1 | | | | |
| C03 | 17 | T63405 | 21714932 | COVER REAR | 1 | | | 21629038 | 22323440 |
| C03 | 18 | T41383 | TAS41383 | REPAIR KIT FOR ATO3112C/D | 1 | ASSY | | | |
| C03 | 19 | T50225 | 8171137 | GASKET | 1 | Old Type | "C-D" Series | | |
| C03 | 19 | T57839 | 21244695 | GASKET | 1 | New Type | "E-F" Series | | |

Notes



TRACTOR AUTOMOBILE SPARES
A WORLD OF QUALITY PARTS



| CH | FIG. | TAS no. | OEM no. | Description | Qty | Note | Note1 | Ex/ Cross | Ex/ Cross |
|-----|------|---------------|-------------|-----------------------------|-----|---------|----------------|-----------|-----------|
| C04 | 1 | T49667 | 20590147 | PLANETARY CARRIER W/GEARS | 1 | Old (#) | W/OUT Retarder | | |
| C04 | 1 | T49668 | 20590148 | PLANETARY CARRIER W/GEARS | 1 | Old (#) | W/OUT Retarder | | |
| C04 | 1 | T49670 | 20733118 | PLANETARY CARRIER W/GEARS | 1 | Old (#) | WITH Retarder | | |
| C04 | 1 | T49671 | 20733119 | PLANETARY CARRIER W/GEARS | 1 | Old (#) | WITH Retarder | | |
| C04 | 1 | T49669 | 22502019 | PLANETARY CARRIER W/GEARS | 1 | | | 21021416 | 20846416 |
| C04 | 2 | T41895 | 22761701 | PLANETARY REPAIR KIT | 1 | | 5 Series Kit | | |
| C04 | 3 | T41896 | 20483601 | WASHER | 10 | | | | |
| C04 | 4 | T41897 | 20483600 | WASHER | 10 | | | | |
| C04 | 5 | T41898 | 20483611 | PLANETARY GEAR | 5 | | | | |
| C04 | 6 | T41899 | 22544210 | NEEDLE KIT | 5 | | | | |
| C04 | 7 | T41900 | 20515814 | PIN | 5 | | | | |
| C04 | 8 | T55291 | 21751233 | SYNCHRO CONE (23-77T.) | 1 | | W/OUT Retarder | 21480996 | 21009061 |
| C04 | 8 | T59494 | 21753642 | SYNCHRO CONE (23-77T.) | 1 | | WITH Retarder | 21480998 | 21009062 |
| C04 | 9 | T49683 | 21110728 | RING GEAR (72-77T.) | 1 | | W/OUT Retarder | 20726338 | |
| C04 | 9 | T49684 | 21110726 | RING GEAR (72-77T.) | 1 | | WITH Retarder | 20741935 | |
| C04 | 10 | T49682 | 21430239 | SYNCHRO RING (CARBON FIBER) | 1 | (P) | | 21101488 | 20782303 |
| C04 | 10 | T63670 | 21482856 | SYNCHRO RING (CARBON FIBER) | 1 | (Q) | | | |
| C04 | 10 | T94007 | 21482856 MO | SYNCHRO RING (MOLYBDENUM) | 1 | (Q) | | | |

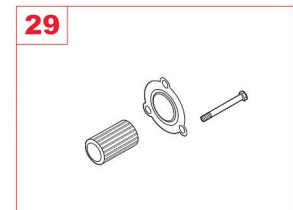
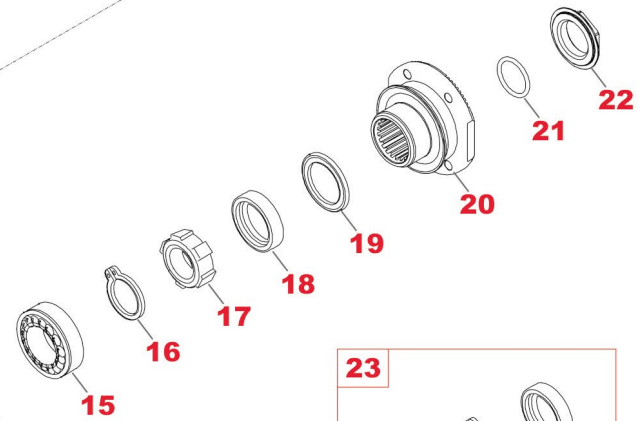
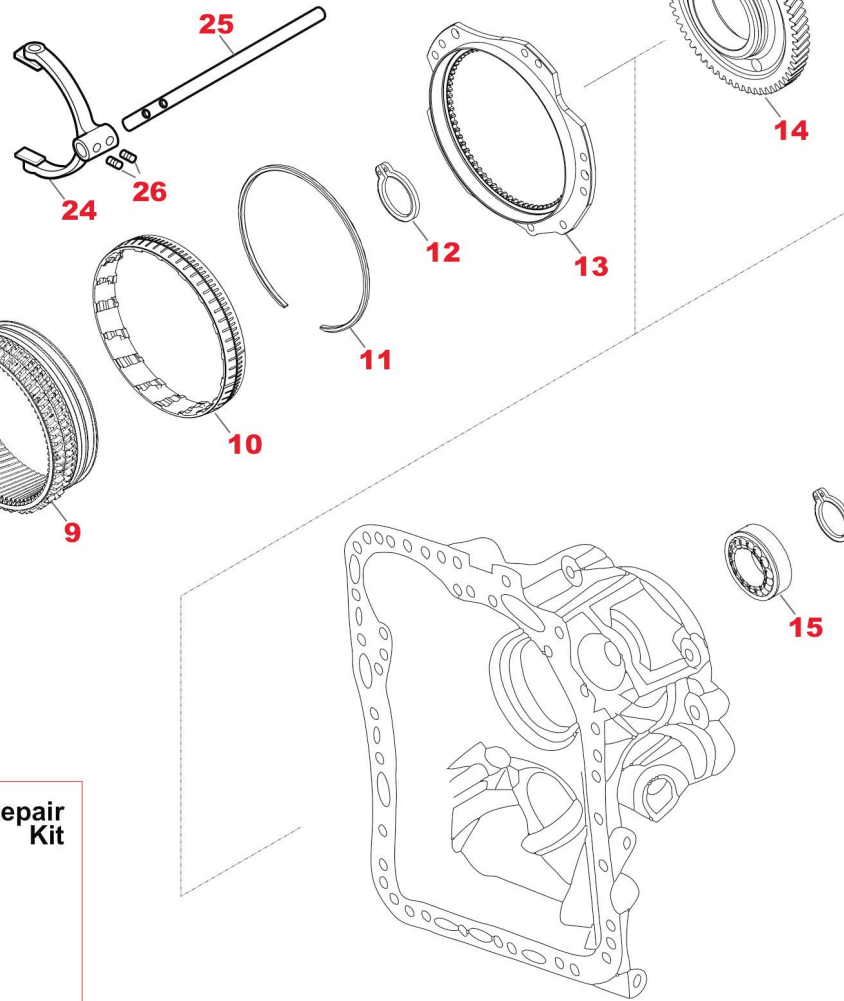
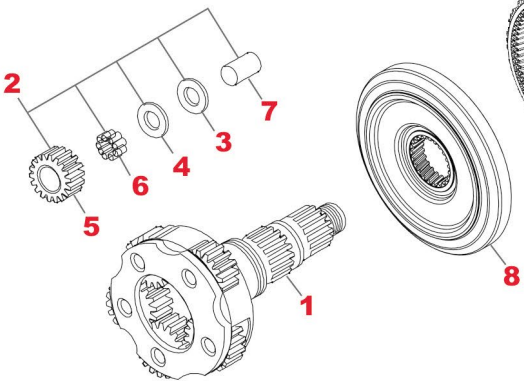
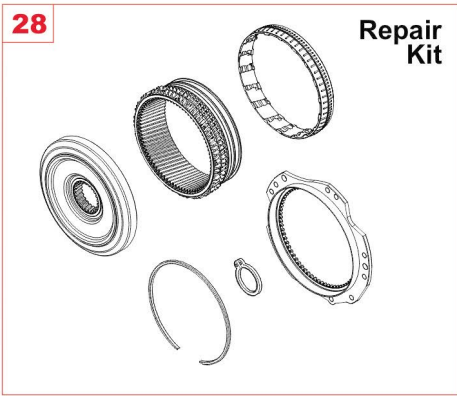
Notes

(P) To be coupled together (Version with 6° 30' Conical Angle)
(Q) To be coupled together (Version with 7° 20' Conical Angle)

(#) To be coupled together (Old Version with Ø 70 mm instead 80 mm bearing)



TRACTOR AUTOMOBILE SPARES
A WORLD OF QUALITY PARTS



| CH | FIG. | TAS no. | OEM no. | Description | Qty | Note | Note1 | Ex/ Cross | Ex/ Cross |
|-----|------|---------------|----------|----------------------------|-----|---------|-------|-----------|-----------|
| C04 | 11 | T49685 | 20737310 | ELASTIC RING | 1 | | | | |
| C04 | 12 | T46220 | 951080 | SEEGER RING (103,54X110X4) | 1 | | | | |
| C04 | 13 | T49561 | 21108695 | SYNCHRO CONE (72T.) | 1 | (P) | | 20891188 | 20756925 |
| C04 | 13 | T63668 | 21482847 | SYNCHRO CONE (72T.) | 1 | (Q) | | | |
| C04 | 14 | T71105 | 20585994 | RETARDER GEAR (63T.) | 1 | Old (#) | | | |
| C04 | 14 | T49562 | 21010667 | RETARDER GEAR (63T.) | 1 | | | 20785178 | |
| C04 | 15 | T46306 | 21170624 | BALL BEARING (70X140X26) | 1 | Old (#) | | 21001091 | 1652604 |
| C04 | 15 | T46305 | 21005761 | BALL BEARING (80X140X26) | 1 | | | 20785448 | 21001044 |
| C04 | 16 | T46308 | 914556 | LOCK RING (T.4,00) | 1 | | | | |
| C04 | 16 | T46311 | 1652804 | LOCK RING (T.3,90) | 1 | | | | |
| C04 | 16 | T46310 | 1652803 | LOCK RING (T.3,80) | 1 | | | | |
| C04 | 16 | T46309 | 1652802 | LOCK RING (T.3,70) | 1 | | | | |
| C04 | 17 | T46312 | 3191944 | WHEEL SENSOR | 1 | Old (#) | | | |
| C04 | 17 | T46313 | 20774242 | WHEEL SENSOR | 1 | | | | |
| C04 | 17 | T46314 | 20784855 | WHEEL SENSOR | 1 | | | | |
| C04 | 18 | T38580 | 1652776 | OIL SEAL RING (90X145X10) | 1 | Old (#) | | | |
| C04 | 18 | T46315 | 20791305 | OIL SEAL RING (95X145X10) | 1 | | | | |
| C04 | 19 | T46316 | 1652622 | OIL SEAL RING (90X111X6/8) | 1 | Old (#) | | 1523124 | |

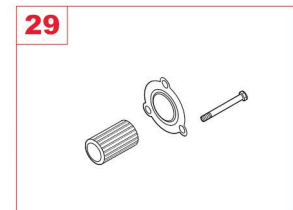
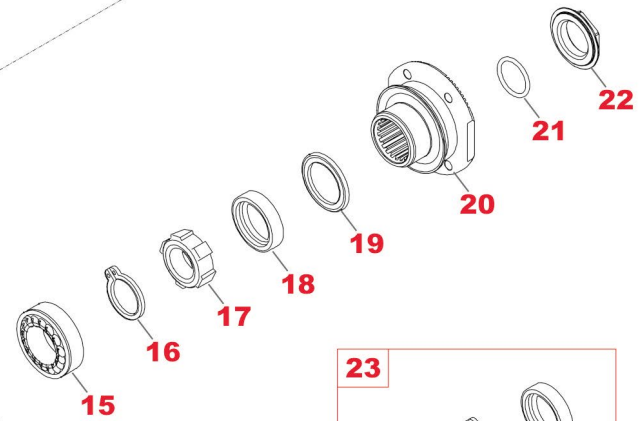
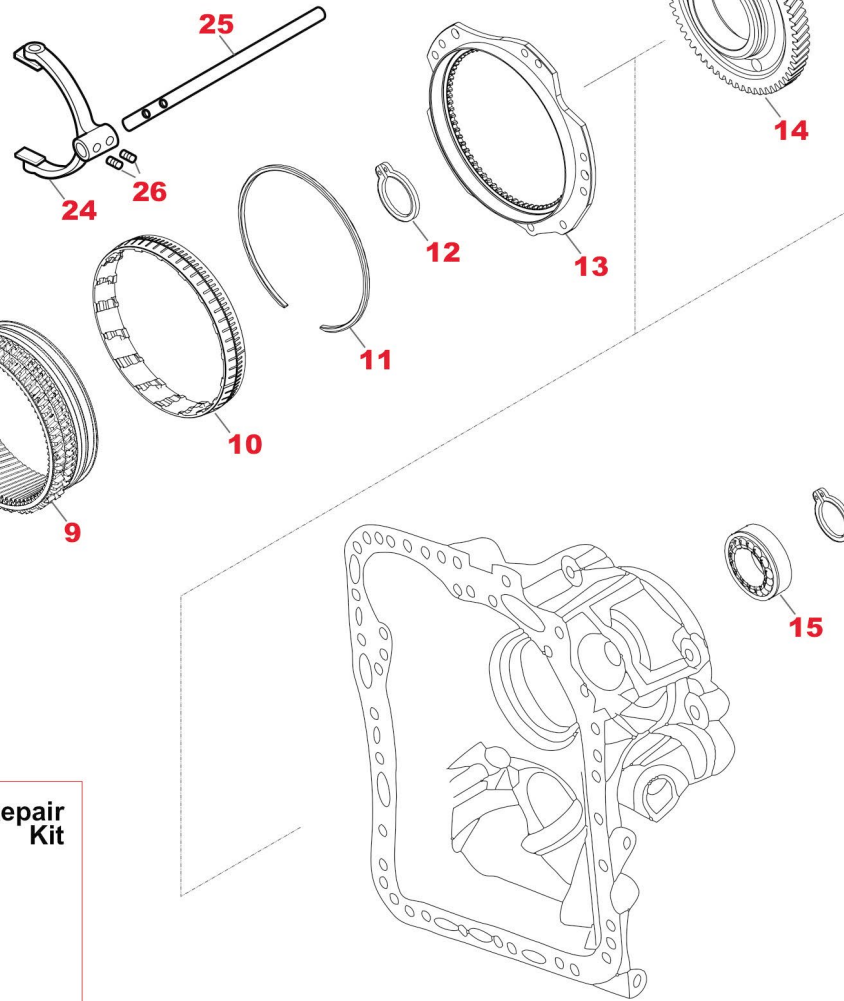
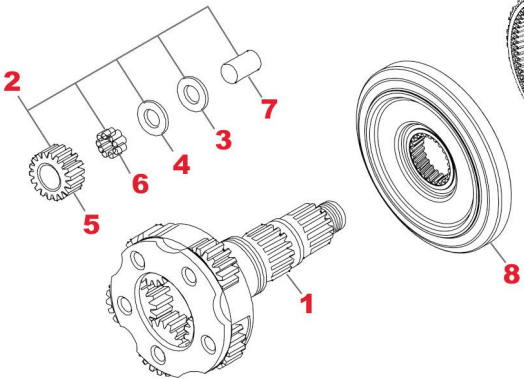
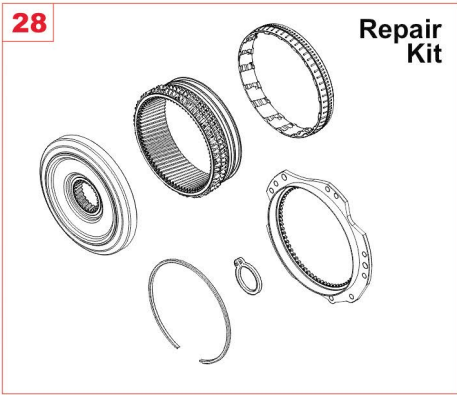
Notes

(P) To be coupled together (Version with 6° 30' Conical Angle)
(Q) To be coupled together (Version with 7° 20' Conical Angle)

(#) To be coupled together (Old Version with Ø 70 mm instead 80 mm bearing)



TRACTOR AUTOMOBILE SPARES
A WORLD OF QUALITY PARTS



| CH | FIG. | TAS no. | OEM no. | Description | Qty | Nota | Note1 | Ex/ Cross | Ex/ Cross |
|-----|------|---------------|----------|---------------------------|-----|---------|----------------|-----------|-----------|
| C04 | 19 | T46317 | 20791222 | OIL SEAL RING (90X111X8) | 1 | | | | |
| C04 | 20 | T46318 | 8172618 | FLANGE OUTPUT | 1 | Old (#) | W/OUT Retarder | | |
| C04 | 20 | T46989 | 8172620 | FLANGE OUTPUT | 1 | Old (#) | W/OUT Retarder | | |
| C04 | 20 | T75877 | 20498990 | FLANGE OUTPUT | 1 | Old (#) | WITH Retarder | | |
| C04 | 20 | T46319 | 22238212 | FLANGE OUTPUT | 1 | | | 20773853 | 21369349 |
| C04 | 21 | T46320 | 976053 | O-RING (59X70,4X5,7) | 1 | Old (#) | | | |
| C04 | 21 | T46321 | 976055 | O-RING (69,2X5,7) | 1 | | | | |
| C04 | 22 | T46322 | 8171338 | NUT (M60X2) | 1 | | | 1672160 | 8171956 |
| C04 | 23 | T49563 | 21008411 | REPAIR KIT | 1 | Old (#) | | | |
| C04 | 23 | T75881 | 21008412 | REPAIR KIT | 1 | | | | |
| C04 | 24 | T75886 | 21510395 | FORK | 1 | | | 20579443 | 20579437 |
| C04 | 25 | T49666 | 20571534 | TIE ROD | 1 | | | | |
| C04 | 26 | T49665 | 1652847 | SCREW | 2 | | | | |
| C04 | 27 | T49677 | 21768926 | REPAIR KIT W/OUT RETARDER | 1 | | W/OUT Retarder | 21571607 | 21441385 |
| C04 | 27 | T49674 | 21768927 | REPAIR KIT W/RETARDER | 1 | | WITH Retarder | 21571608 | 21441386 |
| C04 | 28 | T73513 | 21671435 | REPAIR KIT W/OUT RETARDER | 1 | | W/OUT Retarder | | |
| C04 | 28 | T41910 | TAS41910 | REPAIR KIT W/RETARDER | 1 | | WITH Retarder | | |
| C04 | 29 | T76018 | 21479106 | OIL FILTER | 1 | | | 22419050 | 85108176 |

Notes

(P) To be coupled together (Version with 6° 30' Conical Angle)
(Q) To be coupled together (Version with 7° 20' Conical Angle)

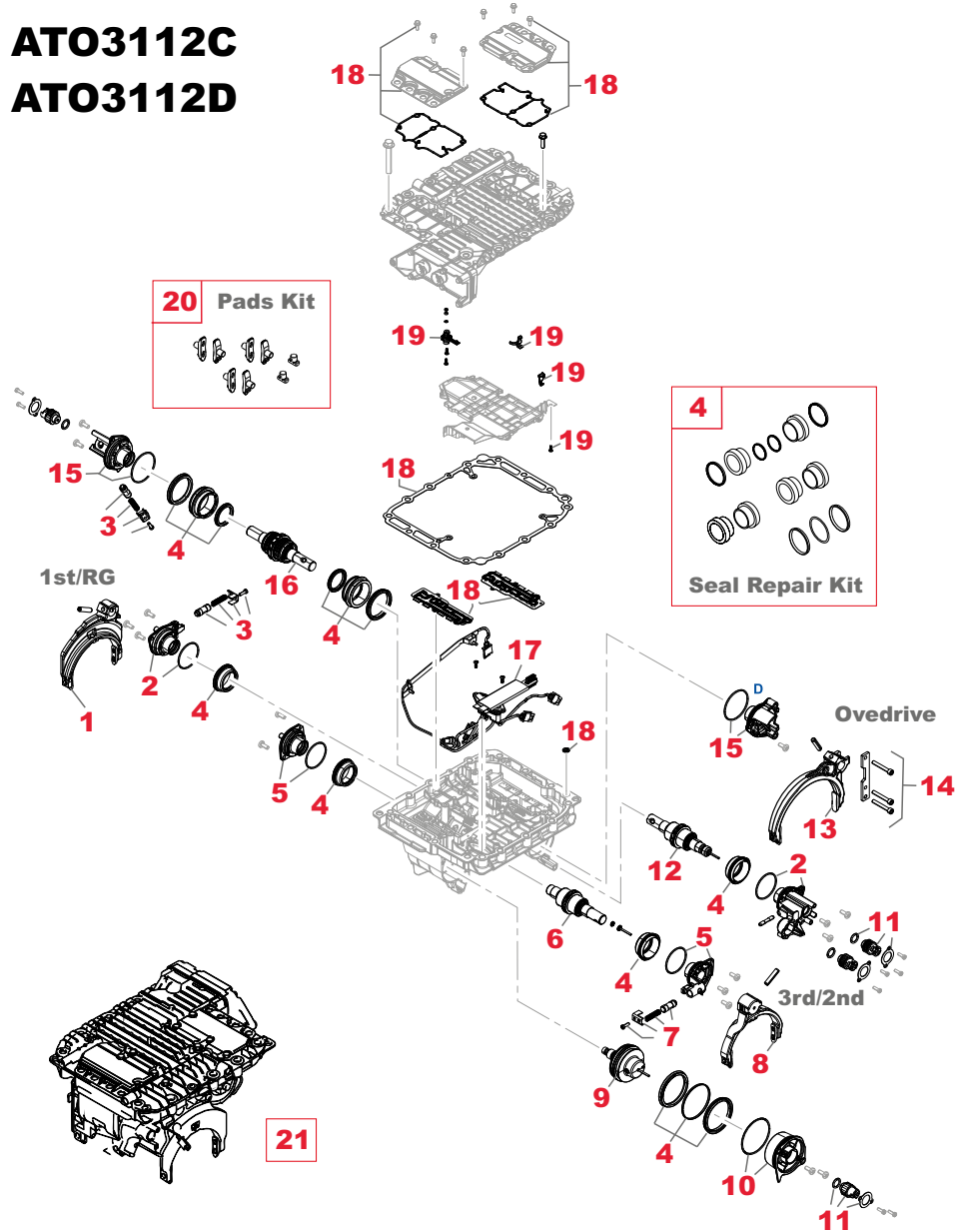
(#) To be coupled together (Old Version with Ø 70 mm instead 80 mm bearing)



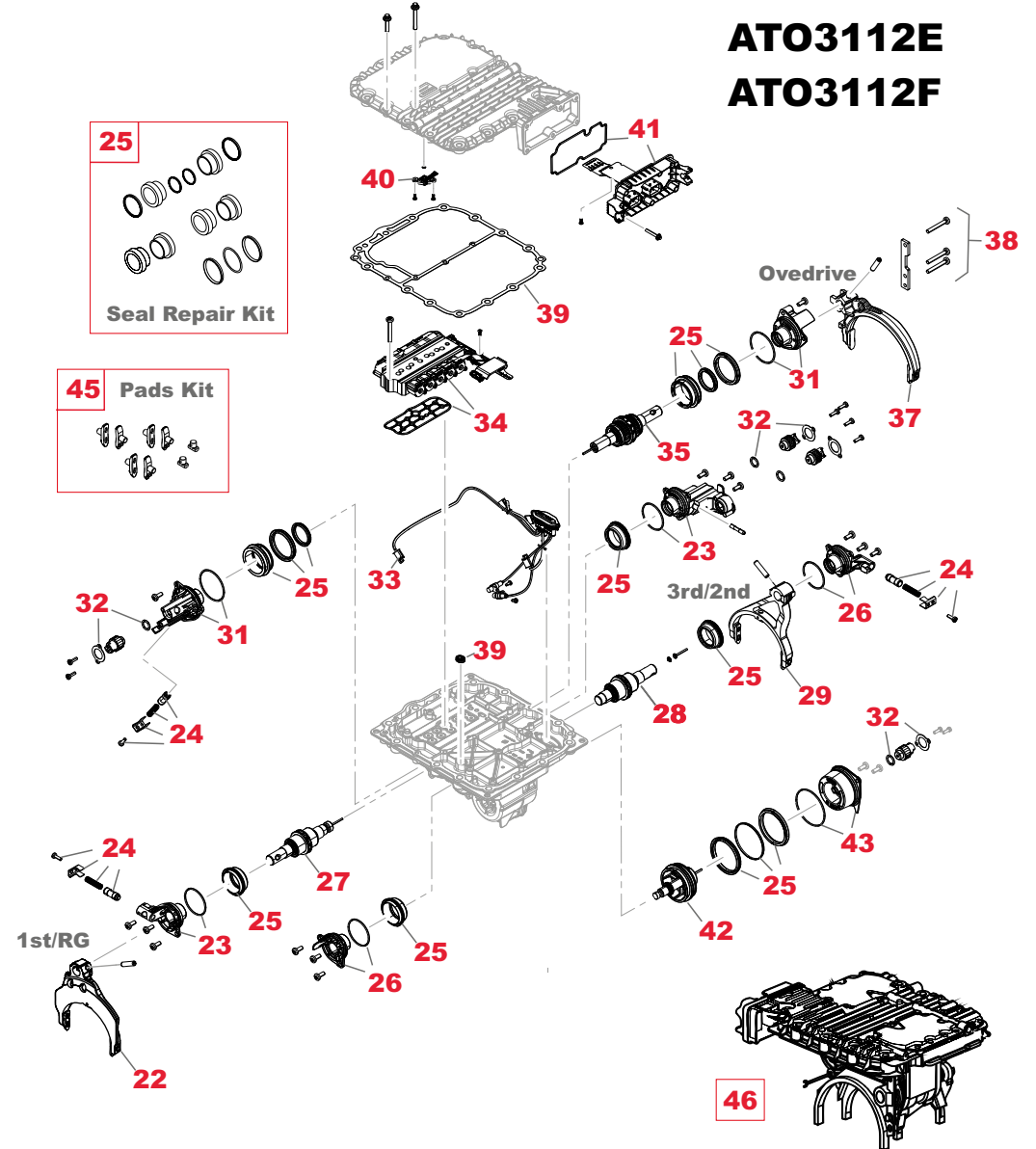
TRACTOR AUTOMOBILE SPARES
A WORLD OF QUALITY PARTS



ATO3112C ATO3112D



ATO3112E ATO3112F



| CH | FIG. | TAS no. | OEM no. | Description | Qty | Note | Note1 | Ex/ Cross | Ex/ Cross |
|-----|------|---------------|----------|--------------------------|-----|------|----------------------|-----------|-----------|
| C05 | 1 | T41576 | 21512541 | FORK 1ST SPEED & REVERSE | 1 | | | 21564813 | 20859786 |
| C05 | 2 | T76670 | 20562633 | REPAIR KIT | 1 | | | | |
| C05 | 3 | T41947 | 20562629 | KIT WITH DETENTS | 1 | | | | |
| C05 | 4 | T59433 | 20562630 | OIL SEALS RING KIT | 1 | | | | |
| C05 | 5 | T76668 | 20562635 | REPAIR KIT | 1 | | | | |
| C05 | 6 | T75872 | 22781280 | TIE ROD | 1 | | | 21302093 | 20562109 |
| C05 | 7 | T41947 | 20562629 | KIT WITH DETENTS | 1 | | | | |
| C05 | 8 | T41574 | 21513170 | FORK 2ND-3RD SPEED | 1 | | | 20859973 | |
| C05 | 9 | T63369 | 20562111 | TIE ROD | 1 | | | | |
| C05 | 10 | T41927 | 20562636 | CYLINDER | 1 | | | | |
| C05 | 11 | T41929 | 20562642 | SENSOR | 1 | | | | |
| C05 | 12 | T59432 | 21302092 | TIE ROD | 1 | | | 20562107 | |
| C05 | 13 | T63363 | 21511649 | FORK OVERDRIVE | 1 | | | 8172473 | |
| C05 | 14 | T59460 | 20845917 | BRACKET | 1 | | | | |
| C05 | 15 | T59451 | 20562631 | SPLIT CYLINDER COVER KIT | 1 | | | | |
| C05 | 16 | T63364 | 21786063 | TIE ROD | 1 | | | 21302091 | 20562105 |
| C05 | 17 | T41816 | 22176325 | CONNECTION BRIDGE TYPE C | 1 | | "C" Type Series Only | 20775027 | |
| C05 | 17 | T41814 | 22117441 | CONNECTION BRIDGE TYPE D | 1 | | "D" Type Series Only | 21068284 | |

Notes

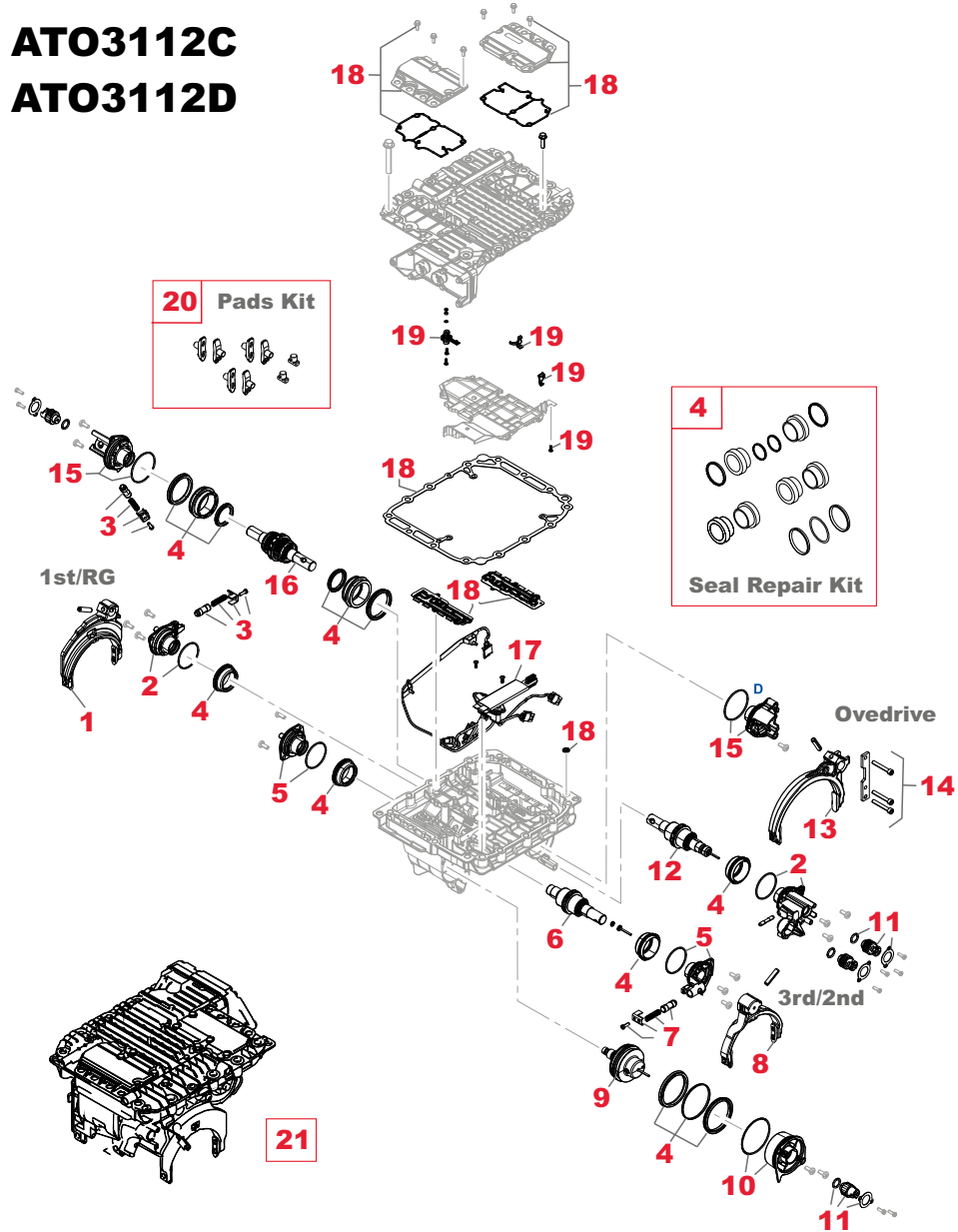


TRACTOR AUTOMOBILE SPARES
A WORLD OF QUALITY PARTS

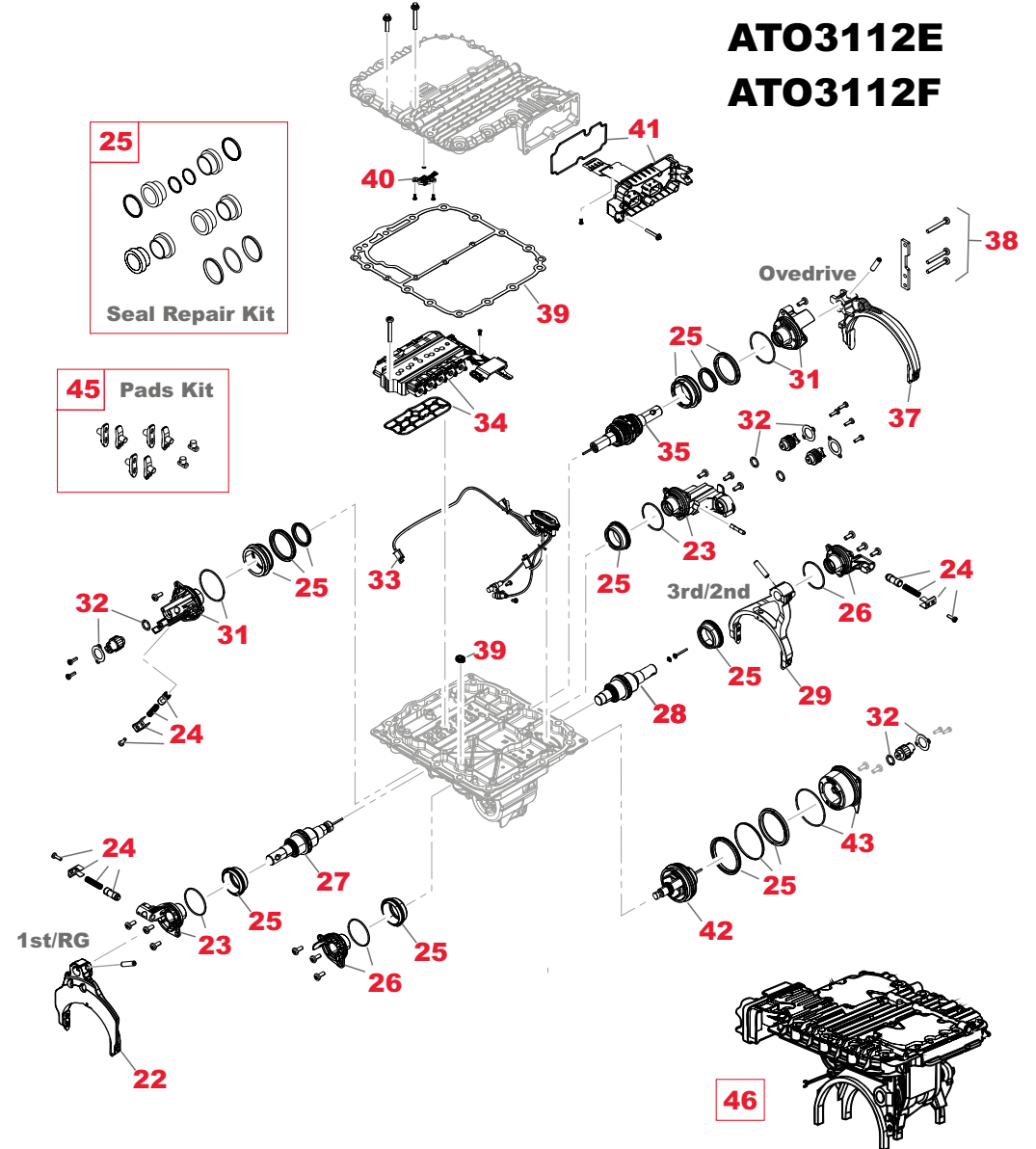
Page 31



ATO3112C ATO3112D



ATO3112E ATO3112F



| CH | FIG. | TAS no. | OEM no. | Description | Qty | Note | Note1 | Ex/ Cross | Ex/ Cross |
|-----|------|---------------|----------|----------------------------------|-----|----------|-----------------------|-----------|-----------|
| C05 | 18 | T57836 | 20785252 | GASKET KIT | 1 | | | 20562626 | |
| C05 | 19 | T41501 | 21068286 | REPAIR KIT PRESSURE SENSOR | 1 | | | 20761735 | |
| C05 | 20 | T59434 | 20562628 | KIT PINS + SLIDING BLOCK | 1 | Old Type | With Slide D.11,00 mm | | |
| C05 | 20 | T63314 | 20968999 | KIT PINS + SLIDING BLOCK | 1 | New Type | With Slide D.12,00 mm | | |
| C05 | 21 | T41871 | 21314138 | TRANSMISSION CONTROL UNIT TYPE C | 1 | | With Sensor 30 T. | 21314140 | 20775880 |
| C05 | 21 | T41878 | 21571890 | TRANSMISSION CONTROL UNIT TYPE D | 1 | | With Sensor 72 T. | 21244590 | |
| C05 | 22 | T41923 | 21678722 | FORK 1ST SPEED & REVERSE | 1 | | | | |
| C05 | 23 | T41937 | 21911592 | CYLINDER | 1 | | | | |
| C05 | 24 | T41947 | 20562629 | KIT WITH DETENTS | 1 | | | | |
| C05 | 25 | T59433 | 20562630 | OIL SEALS RING KIT | 1 | | | | |
| C05 | 26 | T41933 | 21911596 | CYLINDER COVER | 1 | | | | |
| C05 | 27 | T59432 | 21302092 | TIE ROD | 1 | | | 20562107 | |
| C05 | 28 | T75872 | 22781280 | TIE ROD | 1 | | | 21302093 | 20562109 |
| C05 | 29 | T41574 | 21513170 | FORK 2ND-3RD SPEED | 1 | | | 20859973 | |
| C05 | 31 | T41925 | 21911591 | CYLINDER COVER | 1 | | | | |
| C05 | 32 | T41929 | 20562642 | SENSOR | 1 | | | | |
| C05 | 33 | T41935 | 21911586 | CONNECTING BRIGDE | 1 | | | | |
| C05 | 34 | T41931 | 21911584 | VALVE | 1 | | | | |

Notes

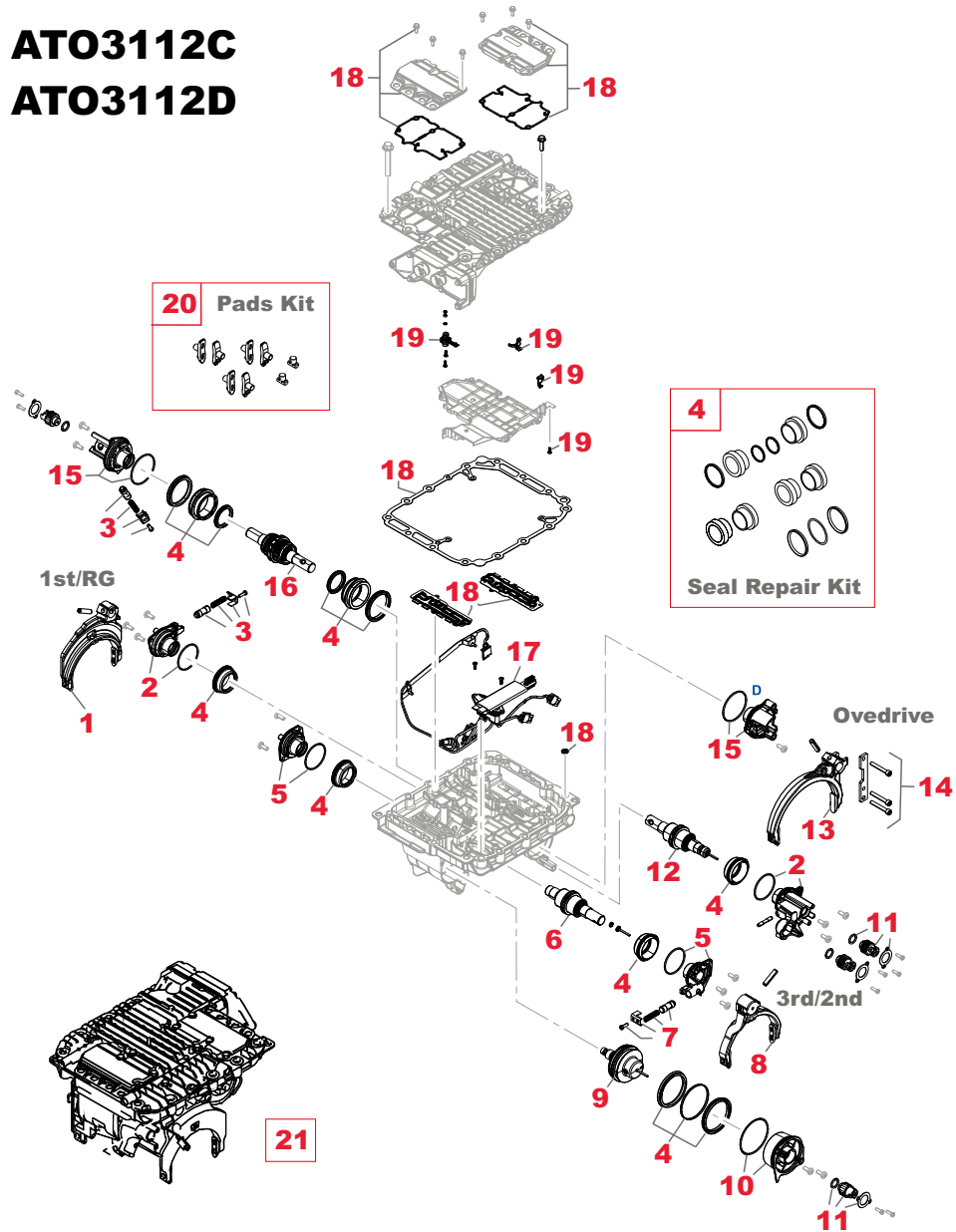


TRACTOR AUTOMOBILE SPARES
A WORLD OF QUALITY PARTS

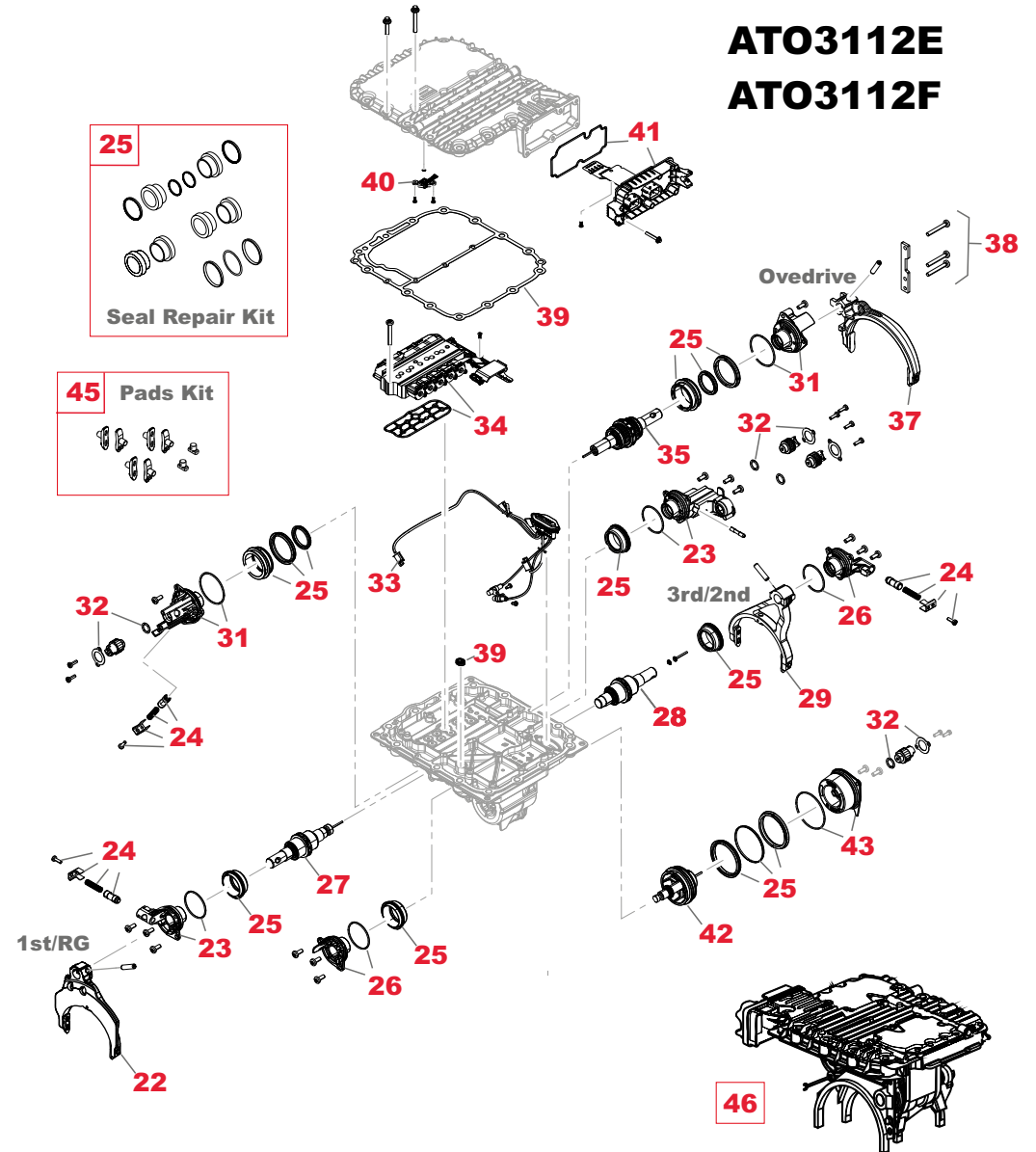
Page 33



ATO3112C ATO3112D



ATO3112E ATO3112F



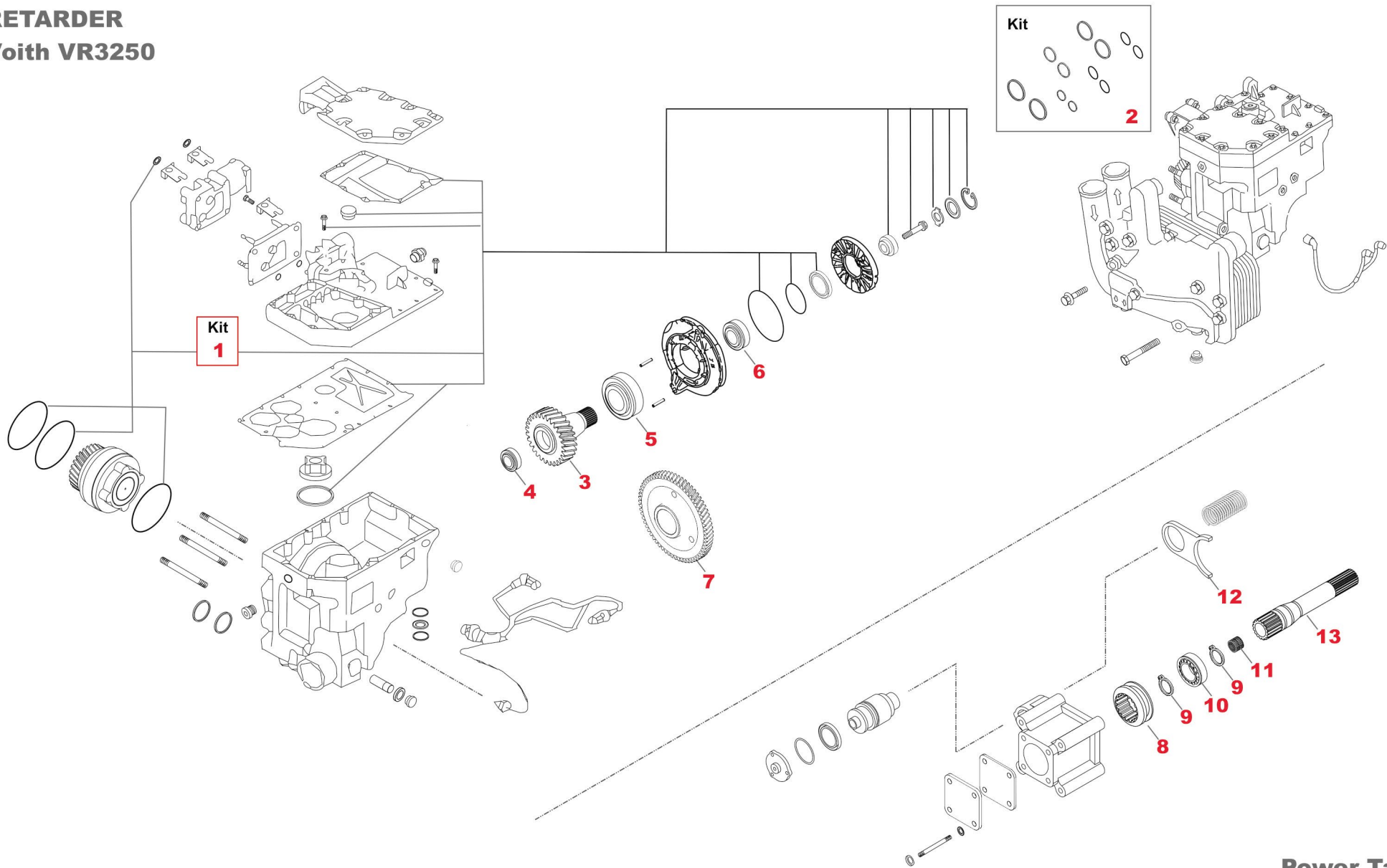
| CH | FIG. | TAS no. | OEM no. | Description | Qty | Note | Note1 | Ex/ Cross | Ex/ Cross |
|-----|------|---------------|----------|------------------------------------|-----|------|-------|-----------|-----------|
| C05 | 35 | T63364 | 21786063 | TIE ROD | 1 | | | 21302091 | 20562105 |
| C05 | 37 | T63363 | 21511649 | FORK OVERDRIVE | 1 | | | 8172473 | |
| C05 | 38 | T41939 | 22242766 | BRAKET | 1 | | | | |
| C05 | 39 | T41941 | 21911585 | GASKET | 1 | | | | |
| C05 | 40 | T41943 | 22242765 | PRESSURE SENSOR | 1 | | | | |
| C05 | 41 | T41945 | 22242764 | CONNECTION SUPPORT WITH SEALING | 1 | | | | |
| C05 | 42 | T63369 | 20562111 | TIE ROD | 1 | | | | |
| C05 | 43 | T41927 | 20562636 | CYLINDER | 1 | | | | |
| C05 | 45 | T63314 | 20968999 | KIT PINS + SLIDING BLOCK | 1 | | | | |
| C05 | 46 | T41884 | 22780685 | TRANSMISSION CONTROL UNIT TYPE E-F | 1 | | | 21949395 | |

Notes





RETARDER Voith VR3250



P.T.O.
Power Take Off

| CH | FIG. | TAS no. | OEM no. | Description | Qty | Note | Note1 | Ex/ Cross | Ex/ Cross |
|-----|------|---------------|---------------|--|-----|------|-------|------------|-----------|
| C07 | 1 | T84066 | 1530 0046 010 | GASKET KIT VOITH RETARDER VR3250 FOR I-SHIFT | 1 | | | | |
| C07 | 2 | T76020 | 8171156 | O-RING KIT | 1 | | | | |
| C07 | 3 | T81915 | 67.1153.15 | SHAFT VOITH RETARDER VR3250 FOR I-SHIFT | 1 | | | | |
| C07 | 4 | T41636 | H53054513 | NEEDLE BEARING | 1 | | | 67.2996.10 | |
| C07 | 5 | T41634 | 1900 1001 810 | NEEDLE BEARING ROLLER(60X130X31) | 1 | | | NJ312EM.C3 | |
| C07 | 6 | T41635 | 1900 0874 410 | NEEDLE BEARING (40X90X23) | 1 | | | QJ 308 | |
| C07 | 7 | T71105 | 20585994 | RETARDER GEAR (63T.) | 1 | | | | |
| C07 | 7 | T49562 | 21010667 | RETARDER GEAR (63T.) | 1 | | | 20785178 | |
| C07 | 8 | T55314 | 1667266 | SLIDING SLEEVE (16T.) | 1 | | | | |
| C07 | 9 | T47737 | 914472 | SEEGER RING (T.2,00) | 2 | | | | |
| C07 | 10 | T94020 | 1655380 | BEARING (50X90X23) | 1 | | | | |
| C07 | 11 | T41731 | 1655383 | ROLLER BEARING (30X35X13) | 1 | | | 1655383 | |
| C07 | 12 | T41633 | 1653858 | FORK | 1 | | | | |
| C07 | 12 | T65612 | 21016483 | FORK | 1 | | | | |
| C07 | 12 | T65611 | 21375084 | FORK | 1 | | | | |
| C07 | 13 | T74189 | 20726050 | SHAFT P.T.O. | 1 | | | | |

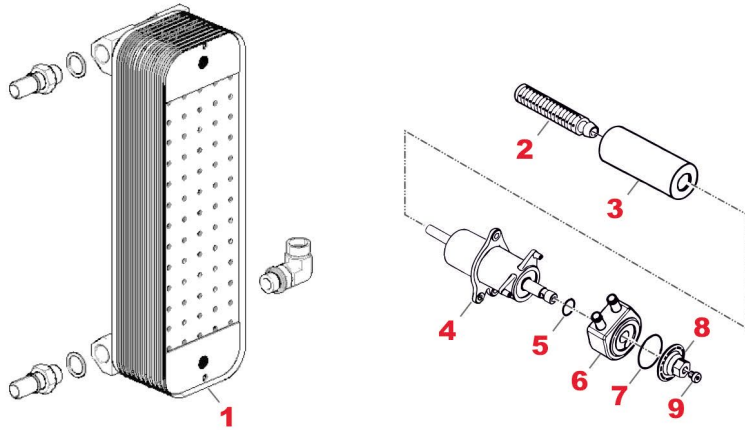
Notes



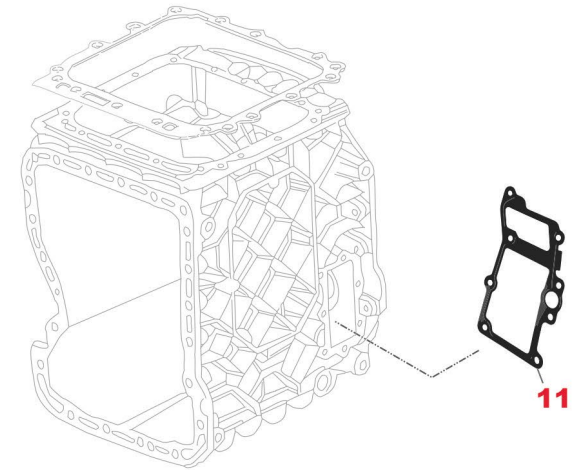
TRACTOR AUTOMOBILE SPARES
A WORLD OF QUALITY PARTS



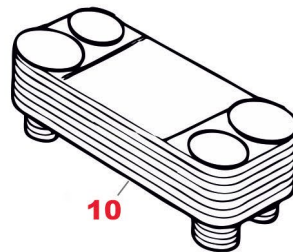
OIL COOLER COMPONENTS



SIDE HOUSING GASKET



RETARDER OIL COOLER



| CH | FIG. | TAS no. | OEM no. | Description | Qty | Note | Note1 | Ex/ Cross | Ex/ Cross |
|-----|------|---------------|----------|-----------------------|-----|------|-------|-----------|-----------|
| C99 | 1 | T42081 | 21359570 | OIL COOLER | 1 | | | 20810884 | |
| C99 | 2 | T41638 | 1069997 | OIL FILTER TUBE | 1 | | | | |
| C99 | 3 | T76018 | 21479106 | OIL FILTER | 1 | | | 22419050 | 85108176 |
| C99 | 4 | T41640 | 21969323 | OIL FILTER PROTECTION | 1 | | | 21566448 | 21566497 |
| C99 | 5 | T47154 | 967343 | O-RING | 1 | | | | |
| C99 | 6 | T41643 | 21983348 | CONNECTION BLOCK | 1 | | | 20700752 | |
| C99 | 7 | T47154 | 967343 | O-RING | 1 | | | | |
| C99 | 8 | T41645 | 21450629 | COVER | 1 | | | | |
| C99 | 9 | T41646 | 1521691 | PLUG | 1 | | | | |
| C99 | 10 | T42129 | 3092602 | HEAT EXCHANGER | 1 | | | | |
| C99 | 11 | T76017 | 20483578 | GASKET | 1 | | | | |

Notes



VL-CT-009



GEARBOX AND DIFFERENTIAL SPARE PARTS

Sede Amministrativa / Head Office

Via Argine, 306, 80147

Napoli (Italy)

Tel: +39 081 7520645

Fax: +39 081 7529475

email: web@tas-spa.com

<http://www.tas-spa.com>

Stabilimento Produttivi / Production Plant

Via Dell'Industria, 1

Argelato- Bologna (Italy)

Tel: +39 051 758154

Fax: +39 051 732707

email: web@tas-spa.com

<http://www.tas-spa.com>

www.tas-spa.com