

G 240-16/11,7-0,69/EPS



TRACTOR AUTOMOBILE SPARES

MERCEDES®





TRACTOR AUTOMOBILE SPARES
A WORLD OF QUALITY PARTS

T.A.S. is specialised in the manufacture and sale of **replacement spare parts**, such as bull gears, crown wheel and pinion sets (with straight or helical teeth), synchroniser assemblies with molybdenum or carbon coating, shafts, main drive gears and other components, suitable for **transmissions and differentials of light-duty vehicles, trucks, buses, agricultural tractors and earthmoving machinery.**

These items are heat-treated where required and may be subjected to special processes, such as Shot-Peening, Sulf BT and corrosion proofing.

T.A.S. products are **totally interchangeable** with the genuine parts, as they are made to the same high quality standards, utilising modern technology and thanks to the continual specialisation of its staff. The **'MADE IN ITALY'** nature of the parts has been maintained with notable efforts.

Thanks to its sales network, T.A.S. products are **distributed and appreciated throughout the five continents** and the customers enjoy continuous support, both from **local agents** and from **mother-tongue commercial staff** at the company headquarters.



Strong Corporate identity
conveyed in a professionally
developed communication system.



MADE IN ITALY





TAS BRANCH
ARGELATO (BO)



TAS HEAD OFFICE AND WAREHOUSES
NAPOLI



Tri-Wall
corrugated
cardboard
box



Opening a TAS pack, you'll be astonished
by its **explosive** content.

Hardwood pallet compliant
with IPPC ISPM 15



Our packaging is designed to ensure the **originality** and **integrity** of the product.

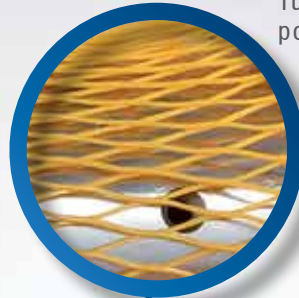
Use your mobile phone to read the QR code that you find on the label.



You'll be directed to additional information on the TAS website.



Tubular protective polyethylene nets

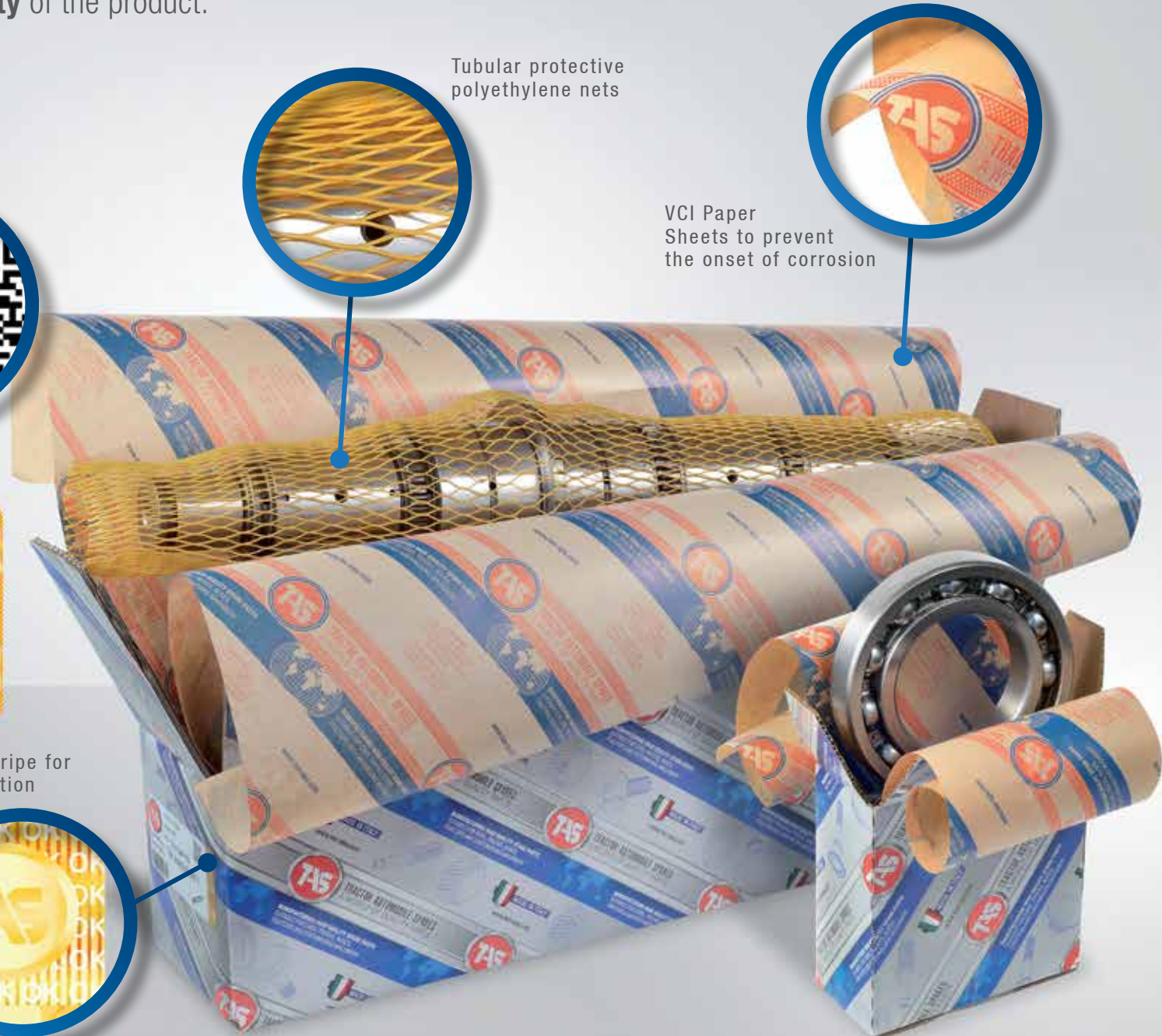


VCI Paper Sheets to prevent the onset of corrosion



High-security OVD stripe for a reliable authentication of the product

SECURITY FOIL
 Moving DynaKey
 up and down
 "OK" is readable.





LEGEND - how to read this catalogue

CHART NUMBER (points to CH. 01)

TAS REFERENCE NUMBER (points to T21867)

QUANTITY PER GEARBOX OR DIFFERENTIAL (points to QTY. 1)

DESCRIPTION OF ITEMS (points to T/M GASKET)

NOTES (points to INCLUDED IN 1315 298 001 GASKET KIT)

WEIGHT IN KILOGRAMS (points to WEIGHT/Kg 0,000)

FIGURE NUMBER (points to FIG. 01)

ORIGINAL MANUFACTURER'S PART NUMBER (points to DEM no. 1315 301 2...)

REFERENCE TO THE CHART AND FIGURE (points to CH. 1 - FIG. 01)

IMAGES (points to the image grid)

TAS REFERENCE NUMBER (points to T17608)

KIT COMPONENTS IN RED BOX (points to the red-bordered image grid)

CH. 01

TAS no. T21867

QTY. 1

T/M GASKET

NOTES

WEIGHT/Kg 0,000

FIG. 01

DEM no. 1315 301 2...

CH. 1 - FIG. 01

IMAGES

TAS REFERENCE NUMBER

KIT COMPONENTS IN RED BOX

CH.	FIG.	TAS no.	DEM no.	QTY.	DESCRIPTION	NOTES	WEIGHT/Kg
1	01	T21867	1315 301 2...	1	T/M GASKET	INCLUDED IN 1315 298 001 GASKET KIT	0,000
1	02	T21735	0730 008 6...	4	T/M OIL SEAL RING 24X29	INCLUDED IN 1315 298 003 OIL SEAL KIT	0,000
1	03	T22053	0730 009 1...	2	T/M GASKET 22X27	INCLUDED IN 1315 298 003 OIL SEAL KIT	0,000
1	04	T21981	0634 313 1...	1	T/M O/RING 20X3	INCLUDED IN 1315 298 003 OIL SEAL KIT	1,780
1	05	T20919	1315 301 002	1	T/M REVERSE IDLER GEAR (22T.)		0,000
1	06	T21827	0501 316 1...	1	T/M GASKET		0,000
1	07	T09068	0732 040 7...	1	T/M PLANETARY REDUCTION SYNCHRONIZER PRESSURE SPRING, OUTER		0,005
1	08	T22033	0634 313 2...	1	T/M GASKET 26X31		0,000





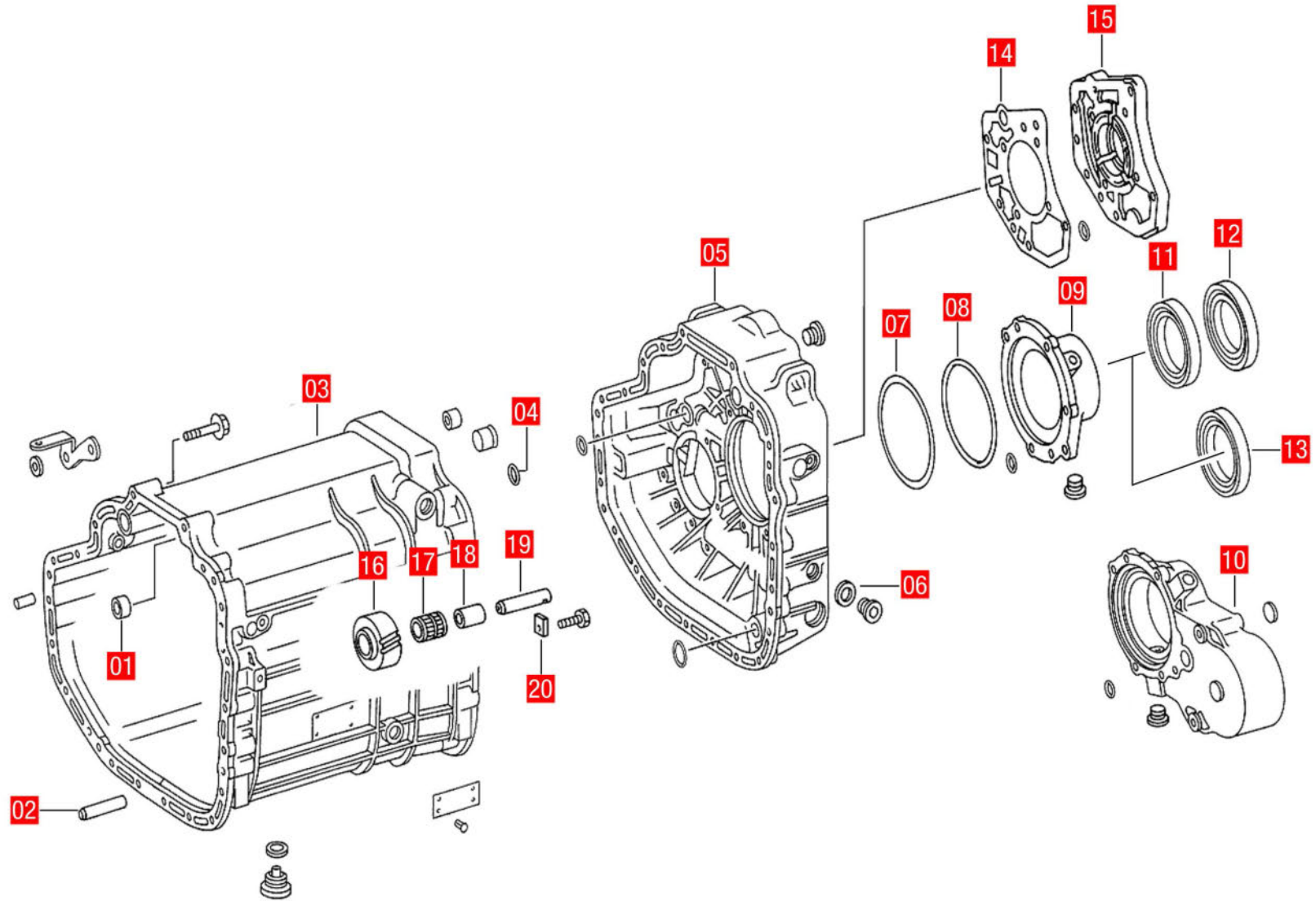
TRACTOR AUTOMOBILE SPARES





G 240-16/11,7-0,69/EPS
CHART 1: GEARBOX HOUSING

CHART 1





G 240-16/11,7-0,69/EPS
CHART 1: GEARBOX HOUSING

CH.	FIG.	TAS n°	OEM n°	NEW OEM N°	QT.Y	DESCRIPTION	NOTES	WEIGHT/Kg
01	01	T49883	000 992 7603		1	BUSH @		
01	02	T49884	389 261 3303		1	GEARBOX HOUSING @	UP TO GEARBOX 339359	
01	02	T49885	655 260 3623		1	GEARBOX HOUSING @	FROM GERABOX 339360	
01	02	T49886	930 260 2511		1	GEARBOX HOUSING @		
01	02	T49887	930 260 2811		1	GEARBOX HOUSING @		
01	03	T49888	000 992 7703		1	BUSH @		
01	04	T49889	015 997 6048		1	O-RING @		
01	05	T49890	945 261 5003		1	GEARBOX HOUSING @		
01	05	T49891	656 260 2112		1	GEARBOX HOUSING @		
01	05	T49892	945 260 6812		1	GEARBOX HOUSING @		
01	05	T49893	945 261 3503		1	GEARBOX HOUSING @		
01	05	T49894	945 261 3826		1	GEARBOX HOUSING @		
01	05	T49895	945 260 6912		1	GEARBOX HOUSING @		
01	06	T49896	945 265 1474		2	PIN @		
01	07	T49897	389 262 7754		2	SPACER (T.1,40) @		
01	07	T49898	389 262 5052		2	SPACER (T.0,40) @		
01	07	T49899	389 262 4952		2	SPACER (T.0,25) @		
01	07	T49900	389 262 4752		2	SPACER (T.0,10) @		
01	08	T49901	015 997 2848		2	O-RING @		
01	09	T18838	389 261 0420		1	T/M CASE OUTPUT COVER	OLD MODEL	0,730
01	09	T49902	389 261 1920		1	OUTPUT COVER @		
01	09	T49364	930 261 0426		1	T/M CASE OUTPUT COVER	NEW MODEL	0,000
01	10	T49903	389 261 1120		1	REAR GEARBOX HOUSING @		
01	11	T22845	013 997 7347		2	T/M OIL SEAL RING (95X115X13)	UP TO GEARBOX 364000	0,070
01	12	T22842	013 997 7247		2	T/M OIL SEAL RING (95X115X13)	UP TO GEARBOX 364000	0,075
01	13	T43835	023 997 1647		1	T/M OIL SEAL RING (95X115X15,5)	FROM GEARBOX 364001	0,086
01	14	T49904	389 261 1980		1	GASKET @		
01	14	T49905	945 261 0080		1	GASKET @		
01	15	T49906	389 261 2333		1	COVER @		
01	15	T49404	945 261 1033		1	T/M OIL PUMP COVER		0,000
01	16	T17379	389 263 1031		1	T/M REVERSE IDLER GEAR (21T.)		2,565
01	17	T46630	012 981 8910		1	NEEDLE BEARING (42,00X50,00X51,00)		0,140
01	18	T17269	389 263 0850		1	T/M REVERSE IDLER GEAR BUSHING		0,000
01	19	T49907	389 263 0430		1	REVERSE PIN @		
01	19	T17385	976 263 0030		1	T/M REVERSE IDLER GEAR SHAFT	NEW MODEL	0,000
01	20	T49908	945 263 0041		1	KEY @		



G 240-16/11,7-0,69/EPS
CHART 1: GEARBOX HOUSING

IMAGES

CH. 1 - FIG 11



CH. 1 - FIG 12



CH. 1 - FIG 13



CH. 1 - FIG 16





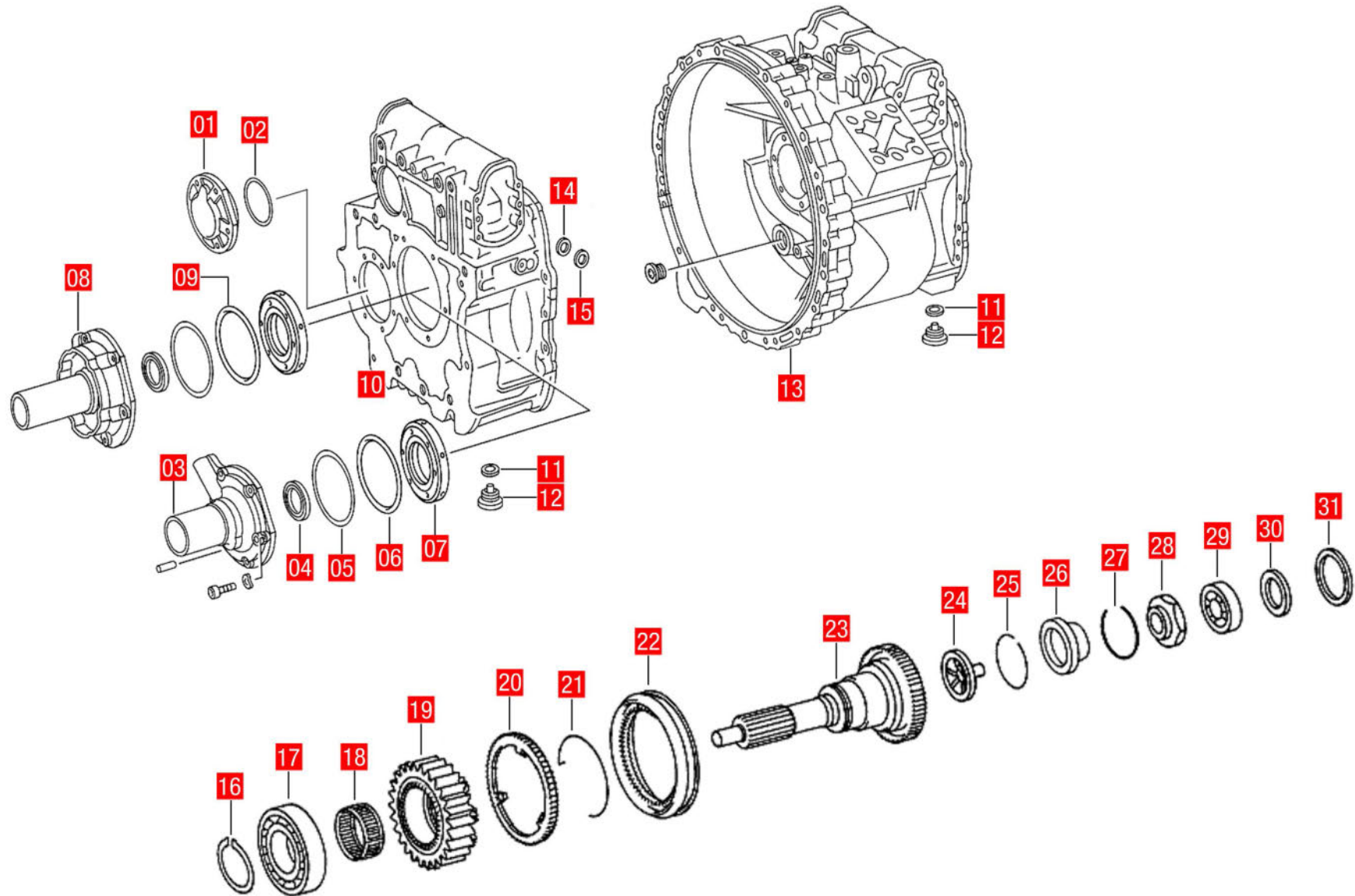
TRACTOR AUTOMOBILE SPARES





G 240-16/11,7-0,69/EPS
CHART 2: MAIN DRIVE GEAR AND CONNECTION PLATE

CHART 2





G 240-16/11,7-0,69/EPS
CHART 2: MAIN DRIVE GEAR AND CONNECTION PLATE

CH.	FIG.	TAS n°	OEM n°	NEW OEM N°	QT.Y	DESCRIPTION	NOTES	WEIGHT/Kg
02	01	T49909	389 261 1933		1	ALUMINIUM COVER @		
02	01	T49910	976 261 1133		1	COVER @	UP TO GEARBOX 041830	
02	01	T49911	976 261 1833		1	COVER @	FROM GEARBOX 041831	
02	02	T49912	389 263 8552		1	SPACER (T.1,36) @		
02	02	T49913	389 263 8352		1	SPACER (T.1,30) @		
02	02	T49914	389 263 8152		1	SPACER (T.1,24) @		
02	02	T49915	389 263 7952		1	SPACER (T.1,18) @		
02	02	T49916	389 263 7752		1	SPACER (T.1,12) @		
02	02	T49917	389 263 7552		1	SPACER (T.1,06) @		
02	02	T49918	389 263 7352		1	SPACER (T.1,00) @		
02	02	T49919	389 263 7152		1	SPACER (T.0,94) @		
02	02	T49920	389 263 6952		1	SPACER (T.0,88) @		
02	02	T49921	389 263 6752		1	SPACER (T.0,82) @		
02	02	T49922	389 263 6552		1	SPACER (T.0,76) @		
02	02	T49923	389 263 6352		1	SPACER (T.0,70) @		
02	02	T49924	389 263 6152		1	SPACER (T.0,64) @		
02	02	T49925	389 263 5952		1	SPACER (T.0,58) @		
02	02	T49926	389 263 5752		1	SPACER (T.0,52) @		
02	02	T49927	389 263 5552		1	SPACER (T.0,46) @		
02	02	T49928	389 263 5352		1	SPACER (T.0,40) @		
02	02	T49929	406 337 0352		1	SPACER (T.0,20) @		
02	02	T49930	406 337 0252		1	SPACER (T.0,10) @		
02	03	T18901	389 261 4518		1	T/M MAIN DRIVE GEAR BEARING RETAINER		0,000
02	03	T38823	945 261 1118		1	T/M MAIN DRIVE GEAR BEARING RETAINER		0,000
02	04	T22850	019 997 0547		2	T/M OIL SEAL RING (56X72X8)		0,026
02	05	T49931	028 997 2248		2	O-RING @		0,000
02	05	T49932	020 997 7848		1	O-RING @		0,000
02	06	T49933	389 262 0555		1	SPACER RING (T.0,80) @	UP TO GEARBOX 375914	
02	06	T49934	389 262 4055		1	SPACER RING (T.0,55) @	FROM GEARBOX 375915	
02	06	T49935	389 262 3955		1	SPACER RING (T.0,52) @	FROM GEARBOX 375915	
02	06	T49547	389 262 0255		1	T/M SPACER RING (T.0,50)		0,000
02	06	T49936	389 262 3855		1	SPACER RING (T.0,49) @	FROM GEARBOX 375915	
02	06	T49937	389 262 3755		1	SPACER RING (T.0,46) @	FROM GEARBOX 375915	
02	06	T49938	389 262 3655		1	SPACER RING (T.0,43) @	FROM GEARBOX 375915	
02	06	T49939	389 262 3555		1	SPACER RING (T.0,40) @	FROM GEARBOX 375915	
02	06	T49940	389 262 3455		1	SPACER RING (T.0,37) @	FROM GEARBOX 375915	



G 240-16/11,7-0,69/EPS
CHART 2: MAIN DRIVE GEAR AND CONNECTION PLATE

CH.	FIG.	TAS n°	OEM n°	NEW OEM N°	QT.Y	DESCRIPTION	NOTES	WEIGHT/Kg
02	06	T49941	389 262 3355		1	SPACER RING (T.0,34) @	FROM GEARBOX 375915	
02	06	T49942	389 262 3255		1	SPACER RING (T.0,31) @		
02	06	T49943	389 262 3155		1	SPACER RING (T.0,28) @		
02	06	T49944	389 262 3055		1	SPACER RING (T.0,25) @		
02	06	T49945	389 262 0855		1	SPACER RING (T.0,15) @	UP TO GEARBOX 375914	
02	06	T49946	389 262 0955		1	SPACER RING (T.0,10) @	UP TO GEARBOX 375914	
02	07	T49970	389 261 0665		2	T/M OIL SEALING RING		0,000
02	08	T49948	945 261 1218		1	COVER @		
02	09	T49933	389 262 0555		1	SPACER RING (T.0,80) @		
02	09	T49547	389 262 0255		1	T/M SPACER RING (T.0,50)		0,000
02	09	T49945	389 262 0855		1	SPACER RING (T.0,15) @		
02	09	T49946	389 262 0955		1	SPACER RING (T.0,10) @		
02	10	T49949	389 261 0408		1	FRONT HOUSING @		
02	11	T49308	007603 024105		2	RING @		
02	12	T49309	210 997 0032		2	PLUG @		
02	13	T49950	655 260 2823		1	GEARBOX FRONT HOUSING @		
02	13	T45108	945 260 0111		1	T/M GEARBOX FRONT HOUSING		24,510
02	13	T49951	945 260 5411		1	GEARBOX FRONT HOUSING @		
02	14	T49952	017 997 7148		1	SEAL RING @		
02	15	T49953	017 997 1847		1	SEAL RING @		
02	16	T49954	387 262 9373		1	SEEGER (RING T.3,50) @		
02	16	T49955	387 262 9273		1	SEEGER (RING T.3,45) @		
02	16	T49956	387 262 9173		1	SEEGER (RING T.3,40) @		
02	16	T49957	387 262 9073		1	SEEGER (RING T.3,35) @		
02	16	T49958	387 262 8973		1	SEEGER (RING T.3,30) @		
02	16	T49959	387 262 8873		1	SEEGER (RING T.3,25) @		
02	16	T49960	387 262 8773		1	SEEGER (RING T.3,20) @		
02	16	T49961	387 262 8673		1	SEEGER (RING T.3,15) @		
02	17	T22631	011 981 1305		1	TAPERED ROLLER BEARING (75X140X34,25)		2,270
02	18	T46608	016 981 0010		1	NEEDLE BEARING (89,00X97,00X40,00)		0,220
02	19	T15168	945 262 4110		1	T/M CONSTANT GEAR (32-60T.)		4,700
02	19	T38569	945 262 4710		1	T/M CONSTANT GEAR (39T.)		0,000
02	19	T20993	945 262 7517		1	T/M CONSTANT GEAR (32T.)	FROM GEARBOX 502735	4,800
02	20	T12209	389 262 0637		2	T/M SYNCHRONIZER BLOCKING RING		0,400
02	20	T20573	947 260 0545		2	T/M SYNCHRONIZER BLOCKING RING (MOLYBDENUM)		0,460
02	21	T14489	387 262 1093		2	T/M SYNCHRONIZER SPRING		0,017

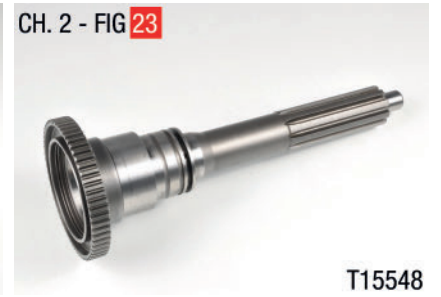


G 240-16/11,7-0,69/EPS
CHART 2: MAIN DRIVE GEAR AND CONNECTION PLATE

CH.	FIG.	TAS n°	OEM n°	NEW OEM N°	QT.Y	DESCRIPTION	NOTES	WEIGHT/Kg
02	22	T15317	945 262 2823		1	T/M SYNCHRONIZER SLIDING COLLAR (60T.)	UP TO GEARBOX 502734	1,309
02	22	T19309	945 262 6823		1	T/M SYNCHRONIZER SLIDING COLLAR (60T.)	FROM GEARBOX 502735	1,167
02	23	T15548	389 262 6601		1	T/M MAIN DRIVE GEAR (60T.)		7,435
02	23	T49962	945 262 4403		1	MAIN DRIVE GEAR @		
02	23	T17832	389 262 8301		1	T/M MAIN DRIVE GEAR (60T.)		7,473
02	23	T49963	945 262 6203		1	MAIN DRIVE GEAR @		
02	24	T39690	389 269 8534		1	T/M MAIN DRIVE GEAR TUBE		0,020
02	25	T49964	007993 050200		1	ELASTIC RING @		
02	26	T22833	000 262 8762		1	T/M OIL SEAL RING (78,5X105X7)		0,033
02	27	T39045	389 262 0973		1	T/M MAIN DRIVE GEAR LOCK RING		0,040
02	28	T49965	945 990 0250		1	NUT @		
02	29	T22645	015 981 1605		1	TAPERED ROLLER BEARING (39,7X40,4)		0,820
02	30	T19634	389 262 5552		1	T/M MAIN DRIVE GEAR BEARING SPACER (T.1,20)		0,000
02	30	T49966	389 262 5652		1	BEARING SPACER (T.0,80) @		
02	30	T20225	389 262 5752		1	T/M MAIN DRIVE GEAR BEARING SPACER (T.0,50)		0,000
02	30	T19070	389 262 5952		1	T/M MAIN DRIVE GEAR BEARING SPACER (T.0,10)		0,000
02	30	T19635	389 262 7954		1	T/M MAIN DRIVE GEAR BEARING SPACER (T.0,30)		0,000
02	31	T50037	389 262 3352		1	BEARING SPACER (T.2,50) @		
02	31	T50038	389 262 3252		1	BEARING SPACER (T.2,00) @		
02	31	T49967	389 262 3152		1	BEARING SPACER (T.1,95) @		
02	31	T49968	389 262 3052		1	BEARING SPACER (T.1,90) @		
02	31	T49969	389 262 2952		1	BEARING SPACER (T.1,85) @		
02	31	T49980	389 262 2455		1	BEARING SPACER (T.1,82) @		
02	31	T50039	389 262 2355		1	BEARING SPACER (T.1,80) @		
02	31	T49981	389 262 2255		1	BEARING SPACER (T.1,76) @		
02	31	T20224	389 262 2155		1	T/M MAIN DRIVE GEAR BEARING SPACER (T.1,73)		0,000
02	31	T49982	389 262 2055		1	BEARING SPACER (T.1,67) @		
02	31	T49983	389 262 1955		1	BEARING SPACER (T.1,64) @		
02	31	T49984	389 262 1855		1	BEARING SPACER (T.1,61) @		
02	31	T49985	389 262 1755		1	BEARING SPACER (T.1,58) @		
02	31	T49986	389 262 2352		1	BEARING SPACER (T.1,55) @		
02	31	T49987	389 262 1655		1	BEARING SPACER (T.1,52) @		
02	31	T49988	389 262 1555		1	BEARING SPACER (T.1,49) @		
02	31	T49989	389 262 1455		1	BEARING SPACER (T.1,46) @		
02	31	T49990	389 262 1355		1	BEARING SPACER (T.1,43) @		
02	31	T50040	389 262 2052		1	BEARING SPACER (T.1,40) @		



CH.	FIG.	TAS n°	OEM n°	NEW OEM N°	QT.Y	DESCRIPTION	NOTES	WEIGHT/Kg
02	31	T49991	389 262 1952		1	BEARING SPACER (T.1,35) @		
02	31	T49992	389 262 2754		1	BEARING SPACER (T.1,30) @		
02	31	T49993	389 262 3654		1	BEARING SPACER (T.1,25) @		
02	31	T50041	389 262 3554		1	BEARING SPACER (T.1,20) @		
02	31	T49994	389 262 3454		1	BEARING SPACER (T.1,15) @		
02	31	T50032	389 262 3354		1	BEARING SPACER (T.1,10) @		
02	31	T50033	389 262 3254		1	BEARING SPACER (T.1,05) @		
02	31	T49995	389 262 2854		1	BEARING SPACER (T.0,50) @		





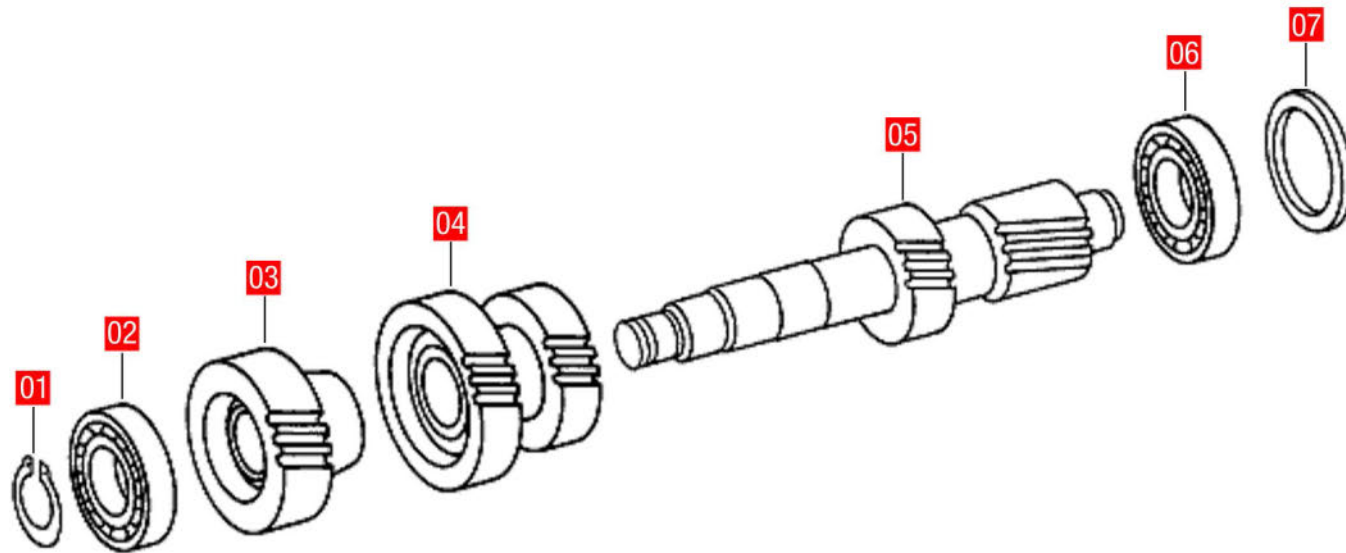
TRACTOR AUTOMOBILE SPARES





G 240-16/11,7-0,69/EPS
CHART 3: COUNTERSHAFT

CHART 3





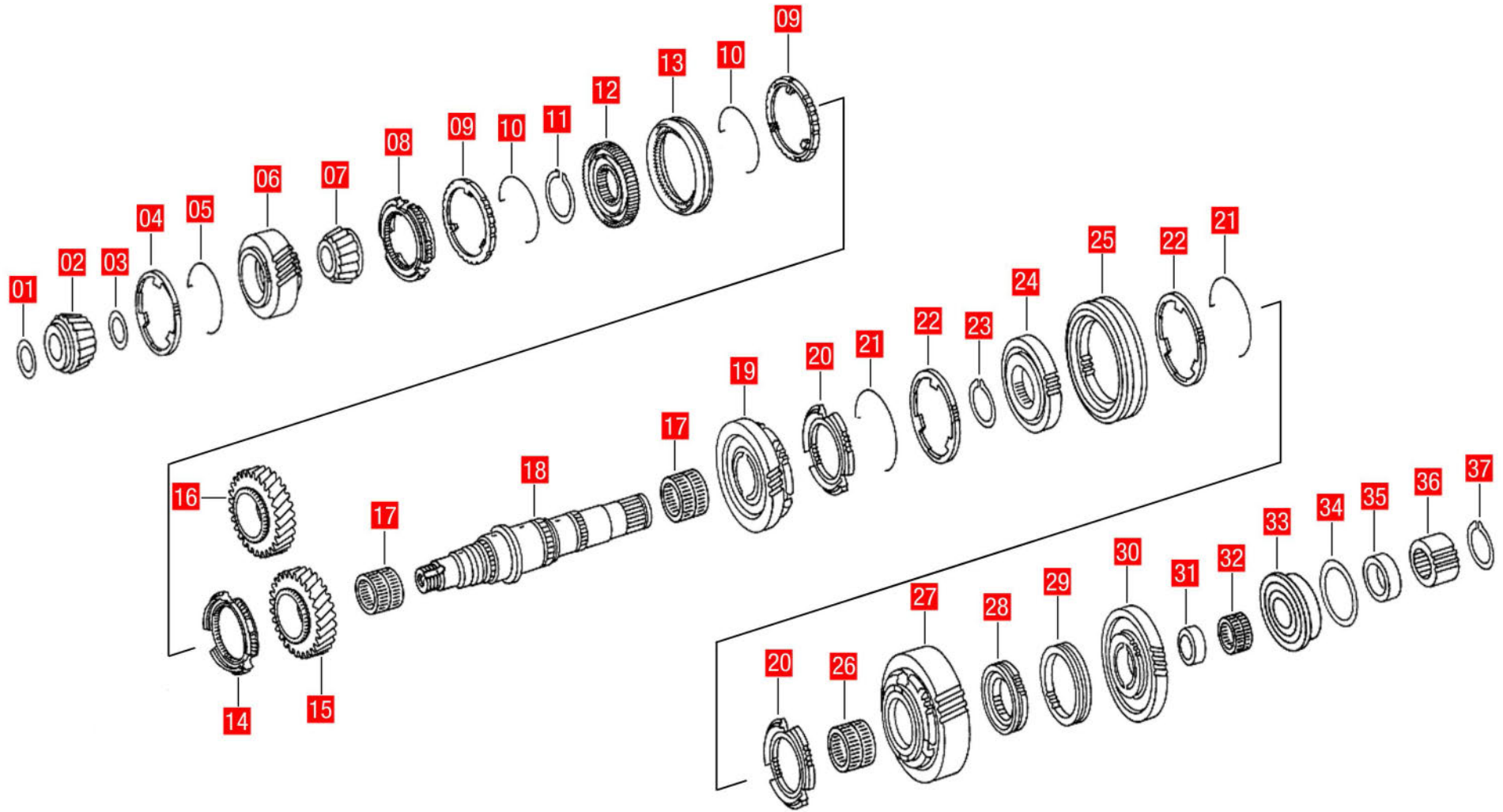
CH.	FIG.	TAS n°	OEM n°	NEW OEM N°	QT.Y	DESCRIPTION	NOTES	WEIGHT/Kg
03	01	T49996	389 994 0041		1	SEEGER RING @		
03	02	T37813	015 981 9005	014 981 1405	1	TAPERED ROLLER BEARING (50,8X100X34,9)		1,163
03	03	T15553	945 263 0810		1	T/M COUNTERSHAFT CONSTANT GEAR (31T.)	UP TO GEARBOX 499372	6,197
03	04	T17384	945 263 3213		1	T/M COUNTERSHAFT 3RD AND 4TH SPEED GEAR (29-34T.)	FROM GEARBOX 433518	7,970
03	05	T17380	945 263 2902		1	T/M COUNTERSHAFT (16-21T.)		16,800
03	06	T22649	016 981 1205		1	TAPERED ROLLER BEARING (60X130X33,5)		1,950
03	07	T50011	389 263 5052		1	WASHER (T.1,15) @		
03	07	T50012	389 263 4652		1	WASHER (T.0,95) @		
03	07	T50013	389 263 4452		1	WASHER (T.0,85) @		
03	07	T50015	389 263 4252		1	WASHER (T.0,70) @		
03	07	T50016	389 263 4052		1	WASHER (T.0,60) @		





G 240-16/11,7-0,69/EPS
CHART 4: MAIN SHAFT

CHART 4





G 240-16/11,7-0,69/EPS
CHART 4: MAIN SHAFT

CH.	FIG.	TAS n°	OEM n°	NEW OEM N°	QT.Y	DESCRIPTION	NOTES	WEIGHT/Kg
04	01	T49997	389 262 2351		1	SPACER (T.6,90) @	FROM GEARBOX 490749	
04	02	T37799	017 981 5105		1	TAPERED ROLLER BEARING CONE (50X41,3)		1,000
04	02	T49998	012 981 9905		1	TAPERED ROLLER BEARING @		
04	03	T15519	389 262 1854		1	T/M MAIN DRIVE GEAR BEARING SPACER RING		0,000
04	04	T12209	389 262 0637	389 262 2537	1	T/M SYNCHRONIZER BLOCKING RING		0,400
04	04	T20573	947 260 0545		1	T/M SYNCHRONIZER BLOCKING RING (MOLYBDENUM)	NEW MODEL	0,460
04	05	T14489	387 262 1093		1	T/M SYNCHRONIZER SPRING		0,017
04	06	T15161	389 262 3810		1	T/M DRIVE GEAR (36-60-60T.)	OLD MODEL	6,715
04	06	T15162	389 262 7910		1	T/M DRIVE GEAR (36-44-60T.)		6,160
04	06	T20992	945 262 5617		1	T/M DRIVE GEAR (36T.)	NEW MODEL	6,300
04	07	T37781	015 981 6205		1	TAPERED ROLLER BEARING (55X29,8)		0,700
04	08	T12284	945 262 0534	389 262 5034	1	T/M SYNCHRONIZER CONE (66T.)	FROM GEARBOX 433518	0,960
04	08	T20990	945 262 5434		1	T/M SYNCHRONIZER CONE	NEW MODEL	1,000
04	09	T11712	389 262 0737	389 262 1137	2	T/M SYNCHRONIZER BLOCKING RING	FROM GEARBOX 433518	0,448
04	09	T12209	389 262 0637		2	T/M SYNCHRONIZER BLOCKING RING	UP TO GEARBOX 433517	0,400
04	09	T45470	947 260 1945		2	T/M SYNCHRONIZER BLOCKING RING WITH SPRING	NEW MODEL	0,571
04	10	T14487	387 262 0893		2	T/M SYNCHRONIZER SPRING	FROM GEARBOX 433518	0,021
04	10	T14489	387 262 1093		2	T/M SYNCHRONIZER SPRING	UP TO GEARBOX 433517	0,017
04	11	T49999	387 262 8173		1	SEEGER RING (T.2,80) @		
04	11	T50001	387 262 7973		1	SEEGER RING (T.2,70) @		
04	11	T50002	387 262 2573		1	SEEGER RING (T.2,65) @		
04	11	T50003	387 262 2473		1	SEEGER RING (T.2,60) @		
04	11	T50004	387 262 2373		1	SEEGER RING (T.2,55) @		
04	11	T50005	007 994 0041		1	SEEGER RING (T.2,50) @		
04	11	T50006	387 262 2173		1	SEEGER RING (T.2,45) @		
04	11	T50007	387 262 2073		1	SEEGER RING (T.2,40) @		
04	12	T15521	389 262 4735		1	T/M 3RD AND 4TH SPEED SYNCHRONIZER HUB	FROM TO GEARBOX 433518	1,872
04	12	T17378	389 262 2835		1	T/M 3RD AND 4TH SPEED SYNCHRONIZER HUB (60T.)	UP TO GEARBOX 433517	1,388
04	13	T12310	945 262 2723	945 262 0423	1	T/M SYNCHRONIZER SLIDING COLLAR (66T.)	FROM TO GEARBOX 433518	1,520
04	13	T15317	945 262 2823	945 262 0323	1	T/M SYNCHRONIZER SLIDING COLLAR (60T.)	UP TO GEARBOX 433517	1,309
04	13	T18882	945 262 6523		1	T/M 3RD AND 4TH SPEED SYNCHRONIZER SLIDING COLLAR (66T.)	NEW MODEL	1,334
04	14	T12284	945 262 0534		1	T/M SYNCHRONIZER CONE (66T.)	FROM TO GEARBOX 433518	0,960
04	14	T20990	945 262 5434		1	T/M SYNCHRONIZER CONE		1,000
04	15	T15534	389 260 5719		1	T/M 3RD SPEED GEAR (29-60T.)	OLD MODEL	3,499
04	16	T18841	389 262 3713		1	T/M 3RD SPEED GEAR (29-44T.)		3,040
04	17	T46615	018 981 6610		2	NEEDLE BEARING (85,00X93,00X53,00)		0,320



G 240-16/11,7-0,69/EPS
CHART 4: MAIN SHAFT

CH.	FIG.	TAS n°	OEM n°	NEW OEM N°	QT.Y	DESCRIPTION	NOTES	WEIGHT/Kg
04	18	T17383	945 262 3605		1	T/M MAINSHAFT	UP TO GEARBOX 344483	13,900
04	18	T17863	945 262 4505		1	T/M MAINSHAFT	FROM GEARBOX 344484	14,000
04	18	T18025	389 262 2405		1	T/M MAINSHAFT	OLD MODEL	13,670
04	19	T17372	389 262 2812	389 262 2512	1	T/M 2ND SPEED GEAR (39-44T.)		5,780
04	20	T15552	945 262 0434	389 262 0034	2	T/M 1ST AND 2ND SPEED SYNCHRONIZER CONE (66T.)		1,130
04	20	T20991	945 262 5534		2	T/M SYNCHRONIZER CONE	NEW MODEL	1,150
04	21	T14487	387 262 0893		2	T/M SYNCHRONIZER SPRING		0,021
04	22	T11712	389 262 0737		2	T/M SYNCHRONIZER BLOCKING RING		0,448
04	22	T45470	947 260 1945		2	T/M SYNCHRONIZER BLOCKING RING WITH SPRING		0,571
04	23	T49999	387 262 8173		1	SEEGER RING (T.2,80) @		
04	23	T50000	387 262 8073		1	SEEGER RING (T.2,75) @		
04	23	T50001	387 262 7973		1	SEEGER RING (T.2,70) @		
04	23	T50002	387 262 2573		1	SEEGER RING (T.2,65) @		
04	23	T50003	387 262 2473		1	SEEGER RING (T.2,60) @		
04	23	T50004	387 262 2373		1	SEEGER RING (T.2,55) @		
04	23	T50005	007 994 0041		1	SEEGER RING (T.2,50) @		
04	23	T50006	387 262 2173		1	SEEGER RING (T.2,45) @		
04	23	T50007	387 262 2073		1	SEEGER RING (T.2,40) @		
04	24	T15543	389 262 2535		1	T/M 1ST AND 2ND SPEED SYNCHRONIZER HUB		2,054
04	25	T12310	945 262 2723		1	T/M SYNCHRONIZER SLIDING COLLAR (66T.)		1,520
04	25	T18882	945 262 6523		1	T/M 3RD AND 4TH SPEED SYNCHRONIZER SLIDING COLLAR (66T.)		1,334
04	26	T46634	019 981 4410		1	NEEDLE BEARING (75,00X83,00X55,00)		0,270
04	26	T50008	018 981 7610		1	NEEDLE BEARING @		
04	27	T17375	389 262 2711		1	T/M 1ST SPEED GEAR (44-44T.)		10,142
04	27	T50009	945 262 8911		1	1ST SPEED GEAR @		
04	28	T12340	389 262 0135		1	T/M REVERSE SPEED SYNCHRONIZER HUB (37T.)	OLD MODEL - MANUAL SHIFT	0,977
04	28	T39044	945 262 3835		1	T/M REVERSE SPEED SYNCHRONIZER HUB (37T.)		0,840
04	28	T50010	389 262 3935		1	REVERSE SPEED SYNCHRONIZER HUB @		
04	29	T12208	389 262 1723		1	T/M REVERSE SPEED SYNCHRONIZER SLIDING COLLAR (37T.)		0,530
04	29	T15541	389 262 1823		1	T/M REVERSE SPEED SYNCHRONIZER SLIDING COLLAR (37T.)		0,532
04	30	T15520	945 262 3233	389 262 2033	1	T/M REVERSE GEAR (40-37T.)		4,453
04	30	T17371	389 262 1733		1	T/M REVERSE GEAR (40-37T.)	OLD MODEL	4,462
04	30	T39046	945 262 3333	945 262 4433	1	T/M REVERSE SPEED GEAR (40T.)	NEW MODEL	4,550
04	31	T17369	389 262 2550		1	T/M REVERSE GEAR SLEEVE		0,393
04	32	T46626	009 981 1510		1	NEEDLE BEARING (78,00X86,00X35,00)		0,180
04	33	T22617	014 981 6105		1	TAPERED ROLLER BEARING (60X130X33,2)		2,370



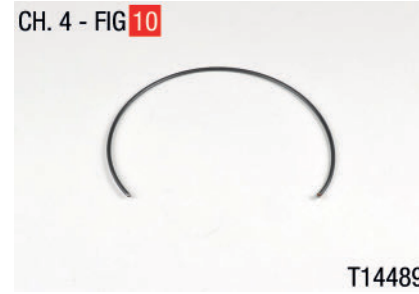
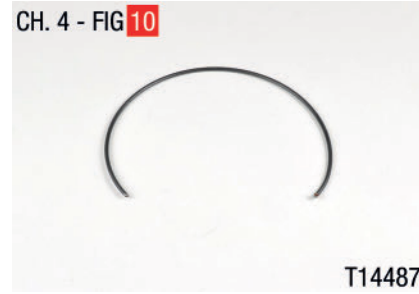
CH.	FIG.	TAS n°	OEM n°	NEW OEM N°	QT.Y	DESCRIPTION	NOTES	WEIGHT/Kg
04	34	T50011	389 263 5052		1	WASHER (T.1,15) @		
04	34	T50012	389 263 4652		1	WASHER (T.0,95) @		
04	34	T50013	389 263 4452		1	WASHER (T.0,85) @		
04	34	T50014	389 263 0552		1	WASHER (T.0,80) @		
04	34	T50015	389 263 4252		1	WASHER (T.0,70) @		
04	34	T50016	389 263 4052		1	WASHER (T.0,60) @		
04	34	T50017	389 262 3852		1	WASHER (T.0,40) @		
04	34	T50018	389 262 3652		1	WASHER (T.0,15) @		
04	34	T50019	389 262 3552		1	WASHER (T.0,10) @		
04	35	T50020	389 262 3754		1	BUSHING @		
04	36	T15411	945 262 0909	389 262 0809	1	T/M PLANETARY REDUCTION SUN GEAR (25T.)	FROM GEARBOX 313861	0,759
04	37	T50021	007 994 1841		1	SEEGER RING @		





G 240-16/11,7-0,69/EPS
CHART 4: MAIN SHAFT

IMAGES





G 240-16/11,7-0,69/EPS
CHART 4: MAIN SHAFT

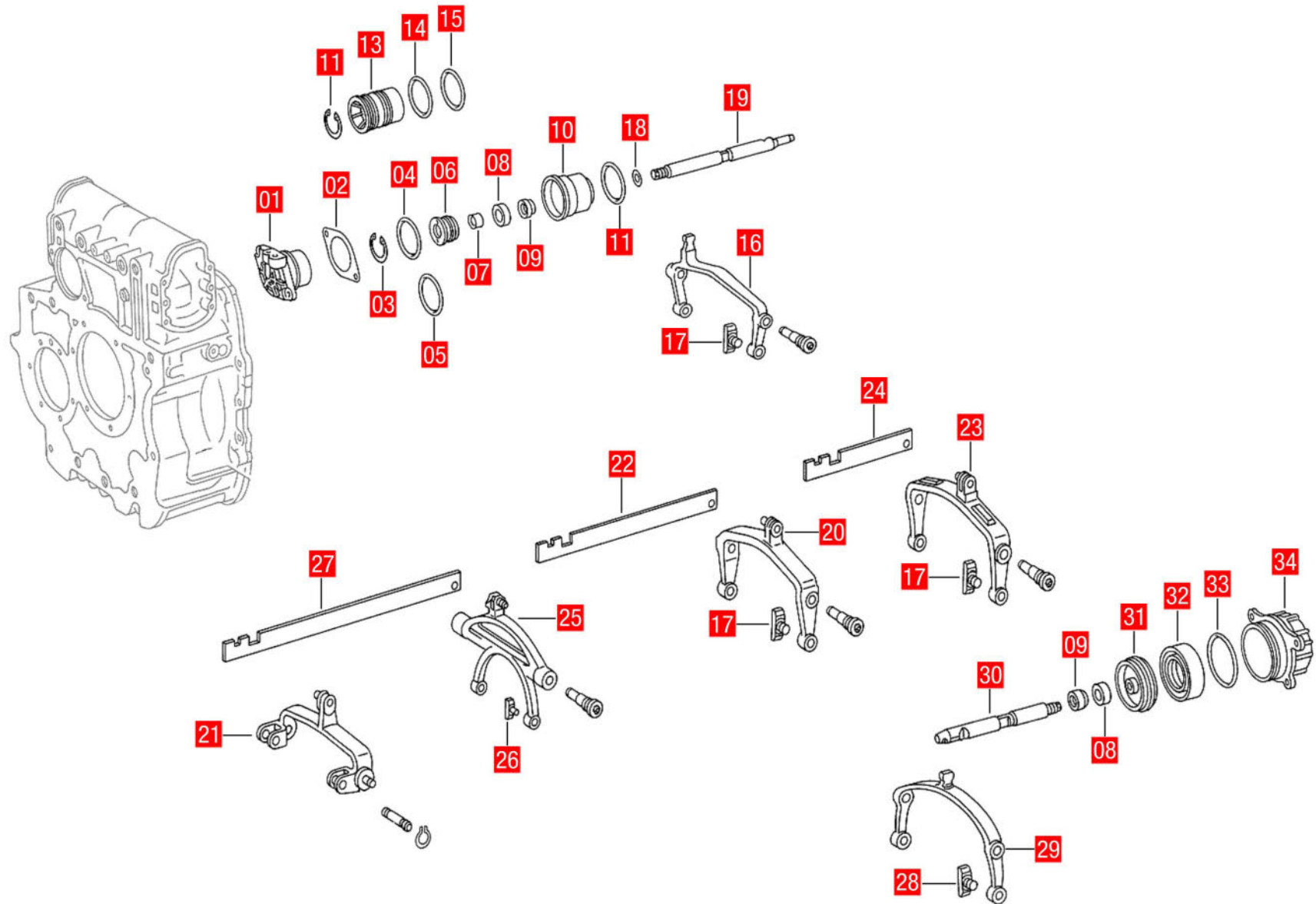
IMAGES





G 240-16/11,7-0,69/EPS
CHART 5: GEARSHIFT SYSTEM

CHART 5





CH.	FIG.	TAS n°	OEM n°	NEW OEM N°	QT.Y	DESCRIPTION	NOTES	WEIGHT/Kg
05	01	T45486	389 267 2819		1	T/M CYLINDER		0,305
05	02	T50022	387 263 3752		1	GASKET @		
05	02	T50023	387 263 3552		1	GASKET @		
05	02	T50024	387 263 3452		1	GASKET @		
05	02	T50025	387 263 3352		1	GASKET @		
05	03	T50034	006 994 4241		1	LOCK RING @		
05	04	T50026	007 997 4248		1	O-RING @		
05	05	T50027	022 997 4248		1	SEALING RING @		
05	05	T50028	016 997 6648		1	SEALING RING @		
05	06	T50029	945 267 0218		1	PISTON @		
05	07	T22839	006 997 6447		1	T/M OIL SEAL RING (41X48X11,5)		0,008
05	08	T15517	387 267 0650		2	T/M SHIFT FORK BUSHING		0,034
05	09	T22837	000 267 0197		2	T/M OIL SEAL RING (22X32X8)		0,007
05	10	T50030	389 267 3319		1	SHIFTING CYLINDER @		
05	10	T49544	945 267 0819		1	T/M SHIFTING CYLINDER		0,000
05	10	T50031	945 267 0619		1	SHIFTING CYLINDER @		
05	11	T50037	389 262 3352		1	SPACER (T.2,50) @		
05	11	T50038	389 262 3252		1	SPACER (T.2,00) @		
05	11	T50039	389 262 2355		1	SPACER (T.1,80) @		
05	11	T50032	389 262 3354		1	SPACER (T.1,10) @		
05	11	T50040	389 262 2052		1	SPACER (T.1,40) @		
05	11	T50041	389 262 3554		1	SPACER (T.1,20) @		
05	11	T50033	389 262 3254		1	SPACER (T.1,05) @		
05	11	T50042	389 262 2655		1	SPACER (T.0,90) @		
05	11	T50043	389 262 2555		1	SPACER (T.0,70) @		
05	12	T50034	006 994 4241		1	LOCK RING @		
05	13	T50035	945 267 0019		1	CYLINDER @		
05	14	T50036	014 997 1248		1	SEALING RING @		
05	15	T50037	389 262 3352		1	SPACER (T.2,50) @		
05	15	T50038	389 262 3252		1	SPACER (T.2,00) @		
05	15	T50039	389 262 2355		1	SPACER (T.1,80) @		
05	15	T50040	389 262 2052		1	SPACER (T.1,40) @		
05	15	T50041	389 262 3554		1	SPACER (T.1,20) @		
05	15	T50042	389 262 2655		1	SPACER (T.0,90) @		
05	15	T50043	389 262 2555		1	SPACER (T.0,70) @		
05	16	T50044	389 265 1201		1	SHIFT FORK @		



CH.	FIG.	TAS n°	OEM n°	NEW OEM N°	QT.Y	DESCRIPTION	NOTES	WEIGHT/Kg
05	16	T50045	945 265 0001		1	SHIFT FORK @		
05	17	T18588	947 265 0349		6	T/M SHIFT FORK SLIDING BLOCK (BRONZE)		0,062
05	18	T50046	387 263 3052		1	WASHER (T.1,00) @		
05	18	T50047	387 263 2852		1	WASHER (T.0,60) @		
05	18	T50048	387 263 2752		1	WASHER (T.0,40) @		
05	18	T50049	387 263 2652		1	WASHER (T.0,20) @		
05	19	T50050	389 267 2217		1	TIE ROD @		
05	19	T50051	389 267 2017		1	TIE ROD @		
05	19	T50052	945 267 0117		1	TIE ROD @		
05	19	T50053	945 267 0017		1	TIE ROD @		
05	19	T50054	945 267 0617		1	TIE ROD @		
05	20	T50055	945 260 1030		1	SHIFT FORK @		
05	20	T50056	945 260 3730		1	SHIFT FORK @		
05	21	T50057	389 260 4930		1	SHIFT FORK @		
05	22	T50058	389 265 8204		1	CONTROL ROD @		
05	23	T50059	389 260 3130		1	SHIFT FORK @		
05	23	T50060	945 260 0230		1	SHIFT FORK @		
05	24	T50061	389 265 7804		1	TIE ROD @		
05	24	T50062	945 265 1904		1	TIE ROD @		
05	24	T50063	945 265 1204		1	TIE ROD @		
05	25	T50064	389 260 4830		1	REVERSE FORK @		
05	26	T15527	947 265 0249		2	T/M SHIFT FORK SLIDING BLOCK (BRONZE)		0,020
05	27	T50065	389 265 3504		1	REVERSE TIE ROD @		
05	27	T50066	945 265 1104		1	REVERSE TIE ROD @		
05	27	T50067	945 265 1004		1	REVERSE TIE ROD @		
05	28	T50068	389 265 0901		1	SHIFT FORK @		
05	28	T50069	947 265 2701		1	SHIFT FORK @	UP TO GEARBOX 366886	
05	28	T50070	947 265 1901		1	SHIFT FORK @	FROM GEARBOX 366887	
05	29	T14815	389 265 2449		2	T/M SHIFT FORK SLIDING BLOCK (BRONZE)	UP TO GEARBOX 366886	0,070
05	29	T18588	947 265 0349		2	T/M SHIFT FORK SLIDING BLOCK (BRONZE)	FROM GEARBOX 366887	0,062
05	30	T50071	389 267 7217		1	TIE ROD @		
05	30	T50072	389 267 3417		1	TIE ROD @		
05	31	T50073	389 267 1018		1	PISTON @		
05	32	T22848	024 997 8347		1	T/M OIL SEAL RING (80X90X17)		0,030
05	33	T50074	013 997 7548		1	O-RING @		
05	34	T19072	389 267 4219	945 267 1119	1	T/M GEARBOX RANGE CHANGE CYLINDER		0,000



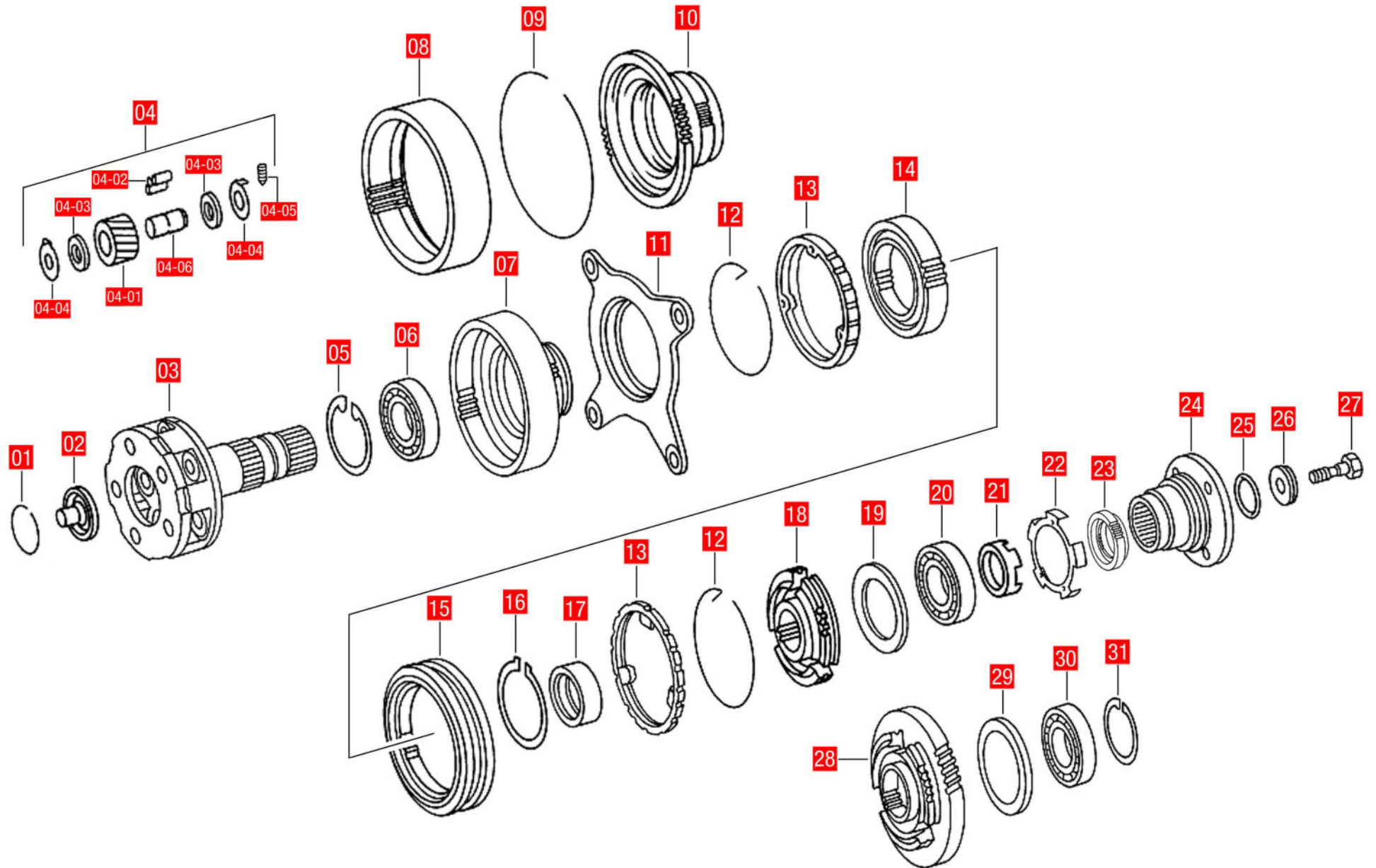
CH.	FIG.	TAS n°	OEM n°	NEW OEM N°	QT.Y	DESCRIPTION	NOTES	WEIGHT/Kg
05	34	T49125	945 267 0519	945 267 1319	1	T/M ALLUMINIUM GEARBOX RANGE CHANGE CYLINDER-MPS		0,000





G 240-16/11,7-0,69/EPS
CHART 6: PLANETARY DRIVE

CHART 6





CH.	FIG.	TAS n°	OEM n°	NEW OEM N°	QT.Y	DESCRIPTION	NOTES	WEIGHT/Kg
06	01	T50075	000472 060000		1	SEEGER RING (T.2,00) @		
06	02	T50076	945 269 0834		1	OIL TUBE @		
06	03	T50077	389 260 8661		1	PLANET CARRIER EMPTY @		
06	03	T21059	945 260 4661		1	T/M PLANETARY REDUCTION CARRIER WITH GEARS (28T.)		23,135
06	03	T15503	945 260 4461		1	T/M PLANETARY REDUCTION CARRIER		13,905
06	03	T19491	946 260 3661		1	T/M PLANETARY REDUCTION CARRIER		14,100
06	04	T15164	655 260 0197		1	T/M PLANETARY REDUCTION GEAR REPAIR KIT (28T.)		9,035
06	04-01	T15165	945 262 0006		5	T/M PLANETARY REDUCTION GEAR (28T.)		1,290
06	04-02	T15153	000 981 4186		125	T/M PLANETARY REDUCTION GEAR NEEDLE ROLLER		0,006
06	04-03	T15157	389 262 0162		10	T/M PLANETARY REDUCTION GEAR SPACER RING		0,004
06	04-04	T15159	389 262 1162		10	T/M PLANETARY REDUCTION GEAR THRUST WASHER		0,017
06	04-05	T15169	000914 006109		5	T/M PLANETARY REDUCTION GEAR SHAFT LOCK PIN		0,002
06	04-06	T15166	389 262 0407		5	T/M PLANETARY REDUCTION GEAR SHAFT		0,323
06	05	T50078	000472 130000		1	SEEGER RING @		
06	06	T47537	008 981 1325		1	BALL BEARING (90,00X130,00X14,00)		0,560
06	07	T17255	945 262 0108		1	T/M PLANETARY REDUCTION RING GEAR (85T.)	RING + CARRIER	7,486
06	08	T50079	389 262 0708		1	REDUCTION RING GEAR (85T.) @		
06	08	T18853	945 262 0208		1	T/M PLANETARY REDUCTION RING GEAR (85T.)		4,198
06	08	T39047	945 262 0808		1	T/M PLANETARY REDUCTION RING GEAR (85 T.)		4,650
06	09	T39049	389 262 0773		1	T/M PLANETARY REDUCTION LOCK RING		0,050
06	10	T39048	389 262 1425		1	T/M PLANETARY REDUCTION RING GEAR CARRIER (85 T.)		4,200
06	11	T14492	389 260 2036		1	T/M PLANETARY REDUCTION SYNCHRONIZER FLANGE WITH CONE (73T.)		4,411
06	11	T20995	947 260 3036		1	T/M PLANETARY REDUCTION SYNCHRONIZER FLANGE WITH CONE		5,000
06	12	T14493	389 262 0293		2	T/M SYNCHRONIZER SPRING		0,030
06	13	T12204	389 262 0537	945 260 0850	2	T/M PLANETARY REDUCTION SYNCHRONIZER BLOCKING RING	MOLYBDENUM	0,870
06	13	T50080	945 260 0850		2	SYNCHRONIZER RING @		
06	13	T20997	947 260 3045		2	T/M PLANETARY REDUCTION SYNCHRONIZER BLOCKING RING (CARBON)	NEW MODEL	0,845
06	13	T46660	947 260 3045/M		2	T/M PLANETARY REDUCTION SYNCHRONIZER BLOCKING RING (MOLYBDENUM)	NEW MODEL	0,000
06	14	T12224	389 262 4935		1	T/M PLANETARY REDUCTION SYNCHRONIZER HUB (73T.)		2,760
06	15	T12237	945 262 0823		1	SLIDING SLEEVE		3,300
06	15	T18883	945 262 6923		1	T/M PLANETARY REDUCTION SYNCHRONIZER SLIDING COLLAR (73T.)	NEW MODEL	3,430
06	16	T50081	000471 120000		1	SEEGER RING @		
06	17	T39050	389 262 0251		1	T/M PLANETARY REDUCTION SYNCHRONIZER SPACER		0,374
06	18	T18365	389 262 4434		1	T/M PLANETARY REDUCTION SYNCHRONIZER CONE (73T.)	UP TO GEARBOX 380570	3,085
06	18	T15526	389 262 9234		1	T/M PLANETARY REDUCTION SYNCHRONIZER CONE (73T.)	FROM GEARBOX 380571	3,645
06	18	T18880	945 262 3834		1	T/M PLANETARY REDUCTION SYNCHRONIZER CONE (73T.)		3,615

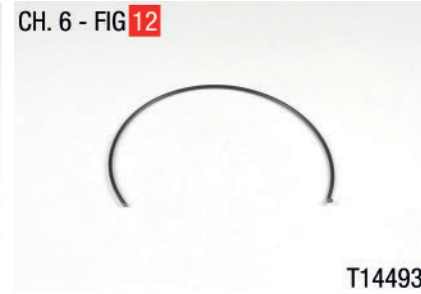
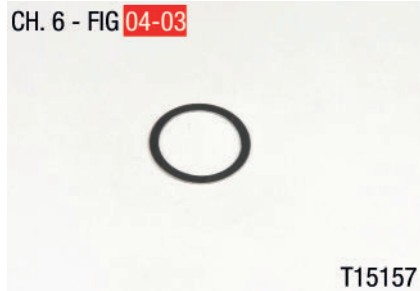


CH.	FIG.	TAS n°	OEM n°	NEW OEM N°	QT.Y	DESCRIPTION	NOTES	WEIGHT/Kg
06	19	T50082	389 262 7854		1	SPACER (T.3,50) @		
06	20	T22628	004 981 9325		1	BALL BEARING (85X150X28)	UP TO GEARBOX 505541	1,800
06	20	T47545	008 981 3025		1	BALL BEARING (80,00X150,00X28,00)	FROM GEARBOX 505542	1,940
06	21	T20414	945 262 0528		1	SPEEDOMETER SENSOR		0,590
06	21	T50083	945 262 0628		1	SPEEDOMETER SENSOR @	UP TO GEARBOX 505541	
06	21	T50084	930 262 0028		1	SPEEDOMETER SENSOR @	FROM GEARBOX 505542	
06	22	T50085	387 262 0828		1	SPEEDOMETER SENSOR @		
06	23	T50086	389 264 0021		1	SPEEDOMETER SENSOR GEAR @		
06	24	T14494	389 262 0445		1	OUTPUT FLANGE (D.180) @		
06	24	T38800	945 262 0045		1	T/M OUTPUT FLANGE (D.180)		0,000
06	24	T50087	945 262 0445		1	OUTPUT FLANGE (D.200) @		
06	24	T50088	389 262 0645		1	OUTPUT FLANGE (D.200) @		
06	25	T50089	014 997 5148		1	O-RING @		
06	26	T39369	389 262 0362		1	THRUST WASHER		0,000
06	26	T50090	945 262 0762		1	THRUST WASHER @		
06	27	T39371	389 990 2019		1	SCREW (M24X2X80)		0,000
06	27	T50091	000000 005728		1	SCREW (M20X1,5X80) @		
06	28	T20664	389 264 0730		1	T/M PLANETARY REDUCTION RETARDER GEAR WITH SYNCHRONIZER CONE (63T.)	UP TO GEARBOX 366886	0,000
06	28	T38830	930 264 0320		1	T/M RETARDED GEAR (64T.)	FROM GEARBOX 366887	0,000
06	28	T50092	945 264 0520		1	RETARDER GEAR (63 T.) @	FROM GEARBOX 366887	
06	28	T50093	945 264 0420		1	RETARDER GEAR (59 T.) @		
06	28	T50094	945 264 0620		1	RETARDER GEAR (59 T.) @		
06	29	T50095	387 264 0064		1	OIL BAFFLE @		
06	30	T50096	007 981 8201		1	BEARING @		
06	31	T50097	000472 140000		1	LOCK RING @		
06		T38331	945 260 4461/KIT		1	T/M PLANETARY REDUCTION CARRIER FULL KIT		22,940





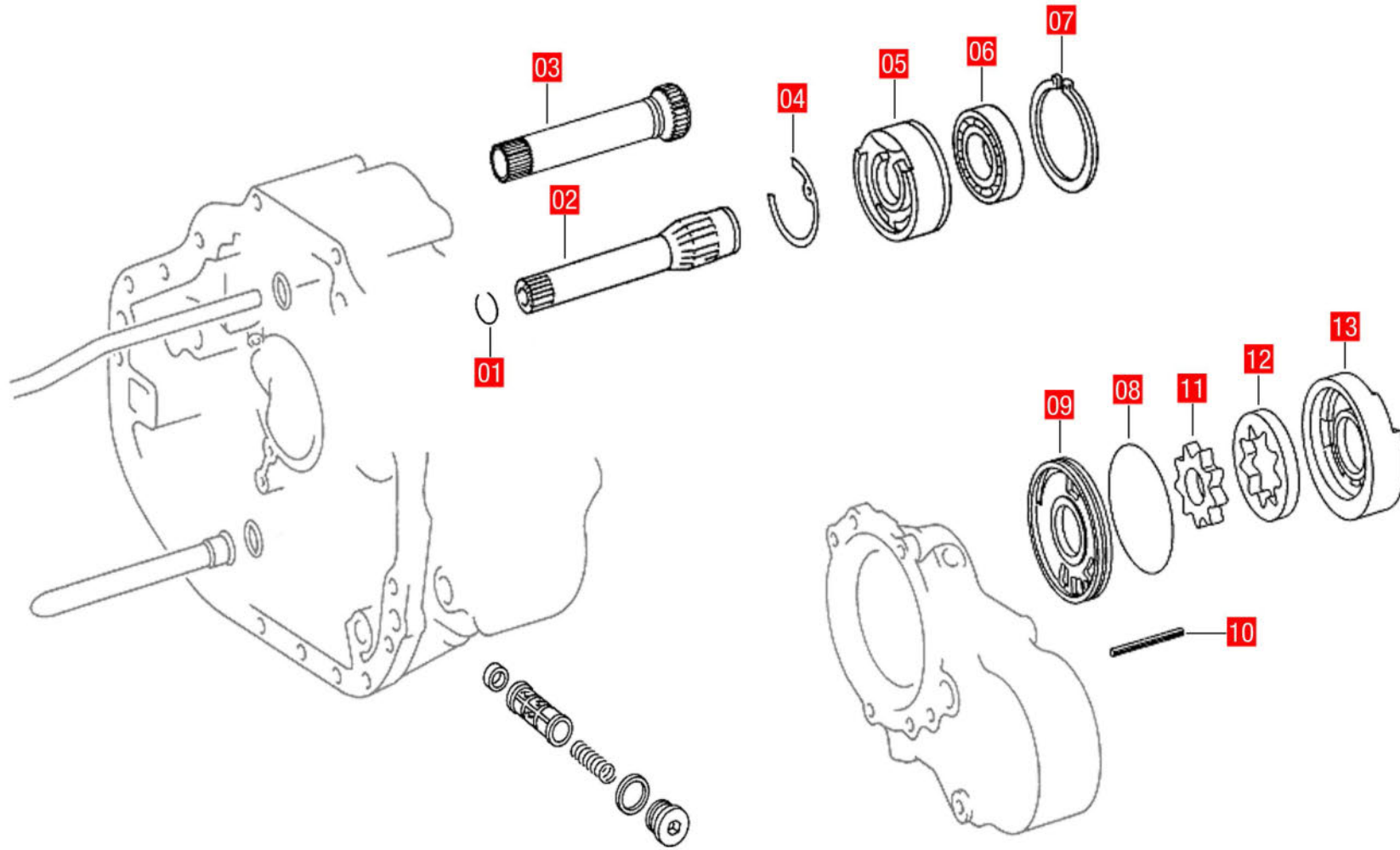
IMAGES





G 240-16/11,7-0,69/EPS
CHART 7: OIL PUMP BODY

CHART 7





CH.	FIG.	TAS n°	OEM n°	NEW OEM N°	QT.Y	DESCRIPTION	NOTES	WEIGHT/Kg
07	01	T50098	912009 045100	389 269 1210	1	LOCK RING @		
07	02	T17548	389 269 0310		1	T/M MAIN DRIVE GEAR OIL PUMP SHAFT (30-16 SPLINES)		1,015
07	02	T50099	947 269 1110		1	OIL PUMP SHAFT @		
07	03	T50100	947 269 1010		1	OIL PUMP SHAFT @		
07	04	T50101	389 262 5154		1	SPACER RING (T.1,30) @		
07	04	T50102	389 262 5254		1	SPACER RING (T.1,25) @		
07	04	T50103	389 262 5354		1	SPACER RING (T.1,20) @		
07	04	T50104	389 262 5454		1	SPACER RING (T.1,15) @		
07	04	T50105	389 262 5554		1	SPACER RING (T.1,10) @		
07	04	T50106	389 262 5654		1	SPACER RING (T.1,05) @		
07	04	T50107	389 262 5754		1	SPACER RING (T.1,00) @		
07	04	T50108	389 262 5854		1	SPACER RING (T.0,95) @		
07	04	T50109	389 262 5954		1	SPACER RING (T.0,90) @		
07	04	T50110	389 262 6354		1	SPACER RING (T.0,85) @		
07	04	T50111	389 262 6254		1	SPACER RING (T.0,80) @		
07	05	T11135	389 260 0690		1	T/M MAIN DRIVE GEAR OIL PUMP		0,891
07	06	T19914	004 981 9225		1	BALL BEARING (45,00X75,00X16,00)		0,220
07	07	T09547	000471 045000		1	T/M COUNTERSHAFT FOURTH SPEED GEAR SNAP RING		0,007
07	08	T50112	029 997 5748		1	O-RING @		
07	09	T38525	945 269 0201		1	OIL PUMP COVER		0,125
07	10	T39706	001 991 7860		1	OIL PUMP ELASTIC PIN		0,070
07	11	T39053	389 269 1406		1	T/M OIL PUMP DRIVE GEAR SMALL (INTERNAL)		0,195
07	12	T39052	389 269 0706		1	T/M OIL PUMP DRIVEN GEAR BIG (EXTERNAL)		0,210
07	13	T38524	947 269 1001		1	T/M OIL PUMP HOUSING		0,290



TABLE OF CONTENTS



TRACTOR AUTOMOBILE SPARES





TAS n°	OEM n°	DESCRIPTION	PAG.	TAS n°	OEM n°	DESCRIPTION	PAG.
T09547	000471 045000	T/M COUNTERSHAFT FOURTH SPEED GEAR SNAP RING	28	T15534	389 260 5719	T/M 3RD SPEED GEAR (29-60T.)	14
T11135	389 260 0690	T/M MAIN DRIVE GEAR OIL PUMP	28	T15541	389 262 1823	T/M REVERSE SPEED SYNCHRO SLIDING COLLAR (37T.)	15
T11712	389 262 0737	T/M SYNCHRO BLOCKING RING	14; 15	T15543	389 262 2535	T/M 1ST AND 2ND SPEED SYNCHRO HUB	15
T12204	389 262 0537	T/M PLANETARY REDUCTION SYNCHRO BLOCKING RING	24	T15548	389 262 6601	T/M MAIN DRIVE GEAR (60T.)	08
T12208	389 262 1723	T/M REVERSE SPEED SYNCHRO SLIDING COLLAR (37T.)	15	T15552	945 262 0434	T/M 1ST AND 2ND SPEED SYNCHRO CONE (66T.)	15
T12209	389 262 0637	T/M SYNCHRO BLOCKING RING	07; 14	T15553	945 263 0810	T/M COUNTERSHAFT CONSTANT GEAR (31T.)	12
T12224	389 262 4935	T/M PLANETARY REDUCTION SYNCHRO HUB (73T.)	24	T17255	945 262 0108	T/M PLANETARY REDUCTION RING GEAR (85T.)	24
T12237	945 262 0823	SLIDING SLEEVE	24	T17269	389 263 0850	T/M REVERSE IDLER GEAR BUSHING	02
T12284	945 262 0534	T/M SYNCHRO CONE (66T.)	14	T17369	389 262 2550	T/M REVERSE GEAR SLEEVE	15
T12310	945 262 2723	T/M SYNCHRO SLIDING COLLAR (66T.)	14; 15	T17371	389 262 1733	T/M REVERSE GEAR (40-37T.)	15
T12340	389 262 0135	T/M REVERSE SPEED SYNCHRO HUB (37T.)	15	T17372	389 262 2812	T/M 2ND SPEED GEAR (39-44T.)	15
T14487	387 262 0893	T/M SYNCHRO SPRING	14; 15	T17375	389 262 2711	T/M 1ST SPEED GEAR (44-44T.)	15
T14489	387 262 1093	T/M SYNCHRO SPRING	07; 14	T17378	389 262 2835	T/M 3RD AND 4TH SPEED SYNCHRO HUB (60T.)	14
T14492	389 260 2036	T/M PLANETARY REDUCTION SYNCHRO FLANGE WITH CONE (73T.)	24	T17379	389 263 1031	T/M REVERSE IDLER GEAR (21T.)	02
T14493	389 262 0293	T/M SYNCHRO SPRING	24	T17380	945 263 2902	T/M COUNTERSHAFT (16-21T.)	12
T14494	389 262 0445	OUTPUT FLANGE (D.180) @	25	T17383	945 262 3605	T/M MAINSHAFT	15
T14815	389 265 2449	T/M SHIFT FORK SLIDING BLOCK (BRONZE)	21	T17384	945 263 3213	T/M COUNTERSHAFT 3RD AND 4TH SPEED GEAR (29-34T.)	12
T15153	000 981 4186	T/M PLANETARY REDUCTION GEAR NEEDLE ROLLER	24	T17385	976 263 0030	T/M REVERSE IDLER GEAR SHAFT	02
T15157	389 262 0162	T/M PLANETARY REDUCTION GEAR SPACER RING	24	T17548	389 269 0310	T/M MAIN DRIVE GEAR OIL PUMP SHAFT (30-16 SPLINES)	28
T15159	389 262 1162	T/M PLANETARY REDUCTION GEAR THRUST WASHER	24	T17832	389 262 8301	T/M MAIN DRIVE GEAR (60T.)	08
T15161	389 262 3810	T/M DRIVE GEAR (36-60-60T.)	14	T17863	945 262 4505	T/M MAINSHAFT	15
T15162	389 262 7910	T/M DRIVE GEAR (36-44-60T.)	14	T18025	389 262 2405	T/M MAINSHAFT	15
T15164	655 260 0197	T/M PLANETARY REDUCTION GEAR REPAIR KIT (28T.)	24	T18365	389 262 4434	T/M PLANETARY REDUCTION SYNCHRO CONE (73T.)	24
T15165	945 262 0006	T/M PLANETARY REDUCTION GEAR (28T.)	24	T18588	947 265 0349	T/M SHIFT FORK SLIDING BLOCK (BRONZE)	21
T15166	389 262 0407	T/M PLANETARY REDUCTION GEAR SHAFT	24	T18838	389 261 0420	T/M CASE OUTPUT COVER	02
T15168	945 262 4110	T/M CONSTANT GEAR (32-60T.)	07	T18841	389 262 3713	T/M 3RD SPEED GEAR (29-44T.)	14
T15169	000914 006109	T/M PLANETARY REDUCTION GEAR SHAFT LOCK PIN	24	T18853	945 262 0208	T/M PLANETARY REDUCTION RING GEAR (85T.)	24
T15317	945 262 2823	T/M SYNCHRO SLIDING COLLAR (60T.)	08; 14	T18880	945 262 3834	T/M PLANETARY REDUCTION SYNCHRO CONE (73T.)	24
T15411	945 262 0909	T/M PLANETARY REDUCTION SUN GEAR (25T.)	16	T18882	945 262 6523	T/M 3RD AND 4TH SPEED SYNCHRO SLIDING COLLAR (66T.)	14; 15
T15503	945 260 4461	T/M PLANETARY REDUCTION CARRIER	24	T18883	945 262 6923	T/M PLANETARY REDUCTION SYNCHRO SLIDING COLLAR (73T.)	24
T15517	387 267 0650	T/M SHIFT FORK BUSHING	20	T18901	389 261 4518	T/M MAIN DRIVE GEAR BEARING RETAINER	06
T15519	389 262 1854	T/M MAIN DRIVE GEAR BEARING SPACER RING	14	T19070	389 262 5952	T/M MAIN DRIVE GEAR BEARING SPACER (T.O,10)	08
T15520	945 262 3233	T/M REVERSE GEAR (40-37T.)	15	T19072	389 267 4219	T/M GEARBOX RANGE CHANGE CYLINDER	21
T15521	389 262 4735	T/M 3RD AND 4TH SPEED SYNCHRO HUB	14	T19309	945 262 6823	T/M SYNCHRO SLIDING COLLAR (60T.)	08
T15526	389 262 9234	T/M PLANETARY REDUCTION SYNCHRO CONE (73T.)	24	T19491	946 260 3661	T/M PLANETARY REDUCTION CARRIER	24
T15527	947 265 0249	T/M SHIFT FORK SLIDING BLOCK (BRONZE)	21	T19634	389 262 5552	T/M MAIN DRIVE GEAR BEARING SPACER (T.1,20)	08



TAS n°	OEM n°	DESCRIPTION	PAG.	TAS n°	OEM n°	DESCRIPTION	PAG.
T19635	389 262 7954	T/M MAIN DRIVE GEAR BEARING SPACER (T.0,30)	08	T39044	945 262 3835	T/M REVERSE SPEED SYNCHRO HUB (37T.)	15
T19914	004 981 9225	BALL BEARING (45,00X75,00X16,00)	28	T39045	389 262 0973	T/M MAIN DRIVE GEAR LOCK RING	08
T20224	389 262 2155	T/M MAIN DRIVE GEAR BEARING SPACER (T.1,73)	08	T39046	945 262 3333	T/M REVERSE SPEED GEAR (40T.)	15
T20225	389 262 5752	T/M MAIN DRIVE GEAR BEARING SPACER (T.0,50)	08	T39047	945 262 0808	T/M PLANETARY REDUCTION RING GEAR (85 T.)	24
T20414	945 262 0528	SPEEDOMETER SENSOR	25	T39048	389 262 1425	T/M PLANETARY REDUCTION RING GEAR CARRIER (85 T.)	24
T20573	947 260 0545	T/M SYNCHRO BLOCKING RING (MOLYBDENUM)	07; 14	T39049	389 262 0773	T/M PLANETARY REDUCTION LOCK RING	24
T20664	389 264 0730	T/M RETARDER GEAR WITH SYNCHRO CONE (63T.)	25	T39050	389 262 0251	T/M PLANETARY REDUCTION SYNCHRO SPACER	24
T20990	945 262 5434	T/M SYNCHRO CONE	14	T39052	389 269 0706	T/M OIL PUMP DRIVEN GEAR BIG (EXTERNAL)	28
T20991	945 262 5534	T/M SYNCHRO CONE	15	T39053	389 269 1406	T/M OIL PUMP DRIVE GEAR SMALL (INTERNAL)	28
T20992	945 262 5617	T/M DRIVE GEAR (36T.)	14	T39369	389 262 0362	THRUST WASHER	25
T20993	945 262 7517	T/M CONSTANT GEAR (32T.)	07	T39371	389 990 2019	SCREW (M24X2X80)	25
T20995	947 260 3036	T/M PLANETARY REDUCTION SYNCHRO FLANGE WITH CONE	24	T39690	389 269 8534	T/M MAIN DRIVE GEAR TUBE	08
T20997	947 260 3045	T/M PLANETARY REDUCTION SYNCHRO BLOCKING RING (CARBON)	24	T39706	001 991 7860	OIL PUMP ELASTIC PIN	28
T21059	945 260 4661	T/M PLANETARY REDUCTION CARRIER WITH GEARS (28T.)	24	T43835	023 997 1647	T/M OIL SEAL RING (95X115X15,5)	02
T22617	014 981 6105	TAPERED ROLLER BEARING (60X130X33,2)	15	T45108	945 260 0111	T/M GEARBOX FRONT HOUSING	07
T22628	004 981 9325	BALL BEARING (85X150X28)	25	T45470	947 260 1945	T/M SYNCHRO BLOCKING RING WITH SPRING	14; 15
T22631	011 981 1305	TAPERED ROLLER BEARING (75X140X34,25)	07	T45486	389 267 2819	T/M CYLINDER	20
T22645	015 981 1605	TAPERED ROLLER BEARING (39,7X40,4)	08	T46608	016 981 0010	NEEDLE BEARING (89,00X97,00X40,00)	07
T22649	016 981 1205	TAPERED ROLLER BEARING (60X130X33,5)	12	T46615	018 981 6610	NEEDLE BEARING (85,00X93,00X53,00)	14
T22833	000 262 8762	T/M OIL SEAL RING (78,5X105X7)	08	T46626	009 981 1510	NEEDLE BEARING (78,00X86,00X35,00)	15
T22837	000 267 0197	T/M OIL SEAL RING (22X32X8)	20	T46630	012 981 8910	NEEDLE BEARING (42,00X50,00X51,00)	02
T22839	006 997 6447	T/M OIL SEAL RING (41X48X11,5)	20	T46634	019 981 4410	NEEDLE BEARING (75,00X83,00X55,00)	15
T22842	013 997 7247	T/M OIL SEAL RING (95X115X13)	02	T46660	947 260 3045/M	T/M REDUCTION SYNCHRO BLOCKING RING (MOLYBDENUM)	24
T22845	013 997 7347	T/M OIL SEAL RING (95X115X13)	02	T47537	008 981 1325	BALL BEARING (90,00X130,00X14,00)	24
T22848	024 997 8347	T/M OIL SEAL RING (80X90X17)	21	T47545	008 981 3025	BALL BEARING (80,00X150,00X28,00)	25
T22850	019 997 0547	T/M OIL SEAL RING (56X72X8)	06	T49125	945 267 0519	T/M ALLUMINIUM GEARBOX RANGE CHANGE CYLINDER-MPS	22
T37781	015 981 6205	TAPERED ROLLER BEARING (55X29,8)	14	T49308	007603 024105	RING @	07
T37799	017 981 5105	TAPERED ROLLER BEARING CONE (50X41,3)	14	T49309	210 997 0032	PLUG @	07
T37813	015 981 9005	TAPERED ROLLER BEARING (50,8X100X34,9)	12	T49364	930 261 0426	T/M CASE OUTPUT COVER	02
T38331	945 260 4461/KIT	T/M PLANETARY REDUCTION CARRIER FULL KIT	25	T49404	945 261 1033	T/M OIL PUMP COVER	02
T38524	947 269 1001	T/M OIL PUMP HOUSING	28	T49544	945 267 0819	T/M SHIFTING CYLINDER	20
T38525	945 269 0201	OIL PUMP COVER	28	T49547	389 262 0255	T/M SPACER RING (T.0,50)	06; 07
T38569	945 262 4710	T/M CONSTANT GEAR (39T.)	07	T49883	000 992 7603	BUSH @	02
T38800	945 262 0045	T/M OUTPUT FLANGE (D.180)	25	T49884	389 261 3303	GEARBOX HOUSING @	02
T38823	945 261 1118	T/M MAIN DRIVE GEAR BEARING RETAINER	06	T49885	655 260 3623	GEARBOX HOUSING @	02
T38830	930 264 0320	T/M RETARDERED GEAR (64T.)	25	T49886	930 260 2511	GEARBOX HOUSING @	02



TAS n°	OEM n°	DESCRIPTION	PAG.	TAS n°	OEM n°	DESCRIPTION	PAG.
T49887	930 260 2811	GEARBOX HOUSING @	02	T49923	389 263 6352	SPACER (T.0,70) @	06
T49888	000 992 7703	BUSH @	02	T49924	389 263 6152	SPACER (T.0,64) @	06
T49889	015 997 6048	O-RING @	02	T49925	389 263 5952	SPACER (T.0,58) @	06
T49890	945 261 5003	GEARBOX HOUSING @	02	T49926	389 263 5752	SPACER (T.0,52) @	06
T49891	656 260 2112	GEARBOX HOUSING @	02	T49927	389 263 5552	SPACER (T.0,46) @	06
T49892	945 260 6812	GEARBOX HOUSING @	02	T49928	389 263 5352	SPACER (T.0,40) @	06
T49893	945 261 3503	GEARBOX HOUSING @	02	T49929	406 337 0352	SPACER (T.0,20) @	06
T49894	945 261 3826	GEARBOX HOUSING @	02	T49930	406 337 0252	SPACER (T.0,10) @	06
T49895	945 260 6912	GEARBOX HOUSING @	02	T49931	028 997 2248	O-RING @	06
T49896	945 265 1474	PIN @	02	T49932	020 997 7848	O-RING @	06
T49897	389 262 7754	SPACER (T.1,40) @	02	T49933	389 262 0555	SPACER RING (T.0,80) @	06; 07
T49898	389 262 5052	SPACER (T.0,40) @	02	T49934	389 262 4055	SPACER RING (T.0,55) @	06
T49899	389 262 4952	SPACER (T.0,25) @	02	T49935	389 262 3955	SPACER RING (T.0,52) @	06
T49900	389 262 4752	SPACER (T.0,10) @	02	T49936	389 262 3855	SPACER RING (T.0,49) @	06
T49901	015 997 2848	O-RING @	02	T49937	389 262 3755	SPACER RING (T.0,46) @	06
T49902	389 261 1920	OUTPUT COVER @	02	T49938	389 262 3655	SPACER RING (T.0,43) @	06
T49903	389 261 1120	REAR GEARBOX HOUSING @	02	T49939	389 262 3555	SPACER RING (T.0,40) @	06
T49904	389 261 1980	GASKET @	02	T49940	389 262 3455	SPACER RING (T.0,37) @	06
T49905	945 261 0080	GASKET @	02	T49941	389 262 3355	SPACER RING (T.0,34) @	07
T49906	389 261 2333	COVER @	02	T49942	389 262 3255	SPACER RING (T.0,31) @	07
T49907	389 263 0430	REVERSE PIN @	02	T49943	389 262 3155	SPACER RING (T.0,28) @	07
T49908	945 263 0041	KEY @	02	T49944	389 262 3055	SPACER RING (T.0,25) @	07
T49909	389 261 1933	ALUMINIUM COVER @	06	T49945	389 262 0855	SPACER RING (T.0,15) @	07
T49910	976 261 1133	COVER @	06	T49946	389 262 0955	SPACER RING (T.0,10) @	07
T49911	976 261 1833	COVER @	06	T49948	945 261 1218	COVER @	07
T49912	389 263 8552	SPACER (T.1,36) @	06	T49949	389 261 0408	FRONT HOUSING @	07
T49913	389 263 8352	SPACER (T.1,30) @	06	T49950	655 260 2823	GEARBOX FRONT HOUSING @	07
T49914	389 263 8152	SPACER (T.1,24) @	06	T49951	945 260 5411	GEARBOX FRONT HOUSING @	07
T49915	389 263 7952	SPACER (T.1,18) @	06	T49952	017 997 7148	SEAL RING @	07
T49916	389 263 7752	SPACER (T.1,12) @	06	T49953	017 997 1847	SEAL RING @	07
T49917	389 263 7552	SPACER (T.1,06) @	06	T49954	387 262 9373	SEEGER (RING T.3,50) @	07
T49918	389 263 7352	SPACER (T.1,00) @	06	T49955	387 262 9273	SEEGER (RING T.3,45) @	07
T49919	389 263 7152	SPACER (T.0,94) @	06	T49956	387 262 9173	SEEGER (RING T.3,40) @	07
T49920	389 263 6952	SPACER (T.0,88) @	06	T49957	387 262 9073	SEEGER (RING T.3,35) @	07
T49921	389 263 6752	SPACER (T.0,82) @	06	T49958	387 262 8973	SEEGER (RING T.3,30) @	07
T49922	389 263 6552	SPACER (T.0,76) @	06	T49959	387 262 8873	SEEGER (RING T.3,25) @	07



TAS n°	OEM n°	DESCRIPTION	PAG.
T49960	387 262 8773	SEEGER (RING T.3,20) @	07
T49961	387 262 8673	SEEGER (RING T.3,15) @	07
T49962	945 262 4403	MAIN DRIVE GEAR @	08
T49963	945 262 6203	MAIN DRIVE GEAR @	08
T49964	007993 050200	ELASTIC RING @	08
T49965	945 990 0250	NUT @	08
T49966	389 262 5652	BEARING SPACER (T.0,80) @	08
T49967	389 262 3152	BEARING SPACER (T.1,95) @	08
T49968	389 262 3052	BEARING SPACER (T.1,90) @	08
T49969	389 262 2952	BEARING SPACER (T.1,85) @	08
T49970	389 261 0665	T/M OIL SEALING RING	07
T49980	389 262 2455	BEARING SPACER (T.1,82) @	08
T49981	389 262 2255	BEARING SPACER (T.1,76) @	08
T49982	389 262 2055	BEARING SPACER (T.1,67) @	08
T49983	389 262 1955	BEARING SPACER (T.1,64) @	08
T49984	389 262 1855	BEARING SPACER (T.1,61) @	08
T49985	389 262 1755	BEARING SPACER (T.1,58) @	08
T49986	389 262 2352	BEARING SPACER (T.1,55) @	08
T49987	389 262 1655	BEARING SPACER (T.1,52) @	08
T49988	389 262 1555	BEARING SPACER (T.1,49) @	08
T49989	389 262 1455	BEARING SPACER (T.1,46) @	08
T49990	389 262 1355	BEARING SPACER (T.1,43) @	08
T49991	389 262 1952	BEARING SPACER (T.1,35) @	09
T49992	389 262 2754	BEARING SPACER (T.1,30) @	09
T49993	389 262 3654	BEARING SPACER (T.1,25) @	09
T49994	389 262 3454	BEARING SPACER (T.1,15) @	09
T49995	389 262 2854	BEARING SPACER (T.0,50) @	09
T49996	389 994 0041	SEEGER RING @	12
T49997	389 262 2351	SPACER (T.6,90) @	14
T49998	012 981 9905	TAPERED ROLLER BEARING @	14
T49999	387 262 8173	SEEGER RING (T.2,80) @	14; 15
T50000	387 262 8073	SEEGER RING (T.2,75) @	15
T50001	387 262 7973	SEEGER RING (T.2,70) @	14; 15
T50002	387 262 2573	SEEGER RING (T.2,65) @	14; 15
T50003	387 262 2473	SEEGER RING (T.2,60) @	14; 15
T50004	387 262 2373	SEEGER RING (T.2,55) @	14; 15

TAS n°	OEM n°	DESCRIPTION	PAG.
T50005	007 994 0041	SEEGER RING (T.2,50) @	14; 15
T50006	387 262 2173	SEEGER RING (T.2,45) @	14; 15
T50007	387 262 2073	SEEGER RING (T.2,40) @	14; 15
T50008	018 981 7610	NEEDLE BEARING @	15
T50009	945 262 8911	1ST SPEED GEAR @	15
T50010	389 262 3935	REVERSE SPEED SYNCHRO HUB @	15
T50011	389 263 5052	WASHER (T.1,15) @	12; 16
T50012	389 263 4652	WASHER (T.0,95) @	12; 16
T50013	389 263 4452	WASHER (T.0,85) @	12; 16
T50014	389 263 0552	WASHER (T.0,80) @	16
T50015	389 263 4252	WASHER (T.0,70) @	12; 16
T50016	389 263 4052	WASHER (T.0,60) @	12; 16
T50017	389 262 3852	WASHER (T.0,40) @	16
T50018	389 262 3652	WASHER (T.0,15) @	16
T50019	389 262 3552	WASHER (T.0,10) @	16
T50020	389 262 3754	BUSHING @	16
T50021	007 994 1841	SEEGER RING @	16
T50022	387 263 3752	GASKET @	20
T50023	387 263 3552	GASKET @	20
T50024	387 263 3452	GASKET @	20
T50025	387 263 3352	GASKET @	20
T50026	007 997 4248	O-RING @	20
T50027	022 997 4248	SEALING RING @	20
T50028	016 997 6648	SEALING RING @	20
T50029	945 267 0218	PISTON @	20
T50030	389 267 3319	SHIFTING CYLINDER @	20
T50031	945 267 0619	SHIFTING CYLINDER @	20
T50032	389 262 3354	BEARING SPACER (T.1,10) @	09; 20
T50033	389 262 3254	BEARING SPACER (T.1,05) @	09; 20
T50034	006 994 4241	LOCK RING @	20
T50035	945 267 0019	CYLINDER @	20
T50036	014 997 1248	SEALING RING @	20
T50037	389 262 3352	BEARING SPACER (T.2,50) @	08;20
T50038	389 262 3252	BEARING SPACER (T.2,00) @	08;20
T50039	389 262 2355	BEARING SPACER (T.1,80) @	08;20
T50040	389 262 2052	BEARING SPACER (T.1,40) @	08;20



TAS n°	OEM n°	DESCRIPTION	PAG.
T50041	389 262 3554	BEARING SPACER (T.1,20) @	09; 20
T50042	389 262 2655	SPACER (T.0,90) @	20
T50043	389 262 2555	SPACER (T.0,70) @	20
T50044	389 265 1201	SHIFT FORK @	20
T50045	945 265 0001	SHIFT FORK @	21
T50046	387 263 3052	WASHER (T.1,00) @	21
T50047	387 263 2852	WASHER (T.0,60) @	21
T50048	387 263 2752	WASHER (T.0,40) @	21
T50049	387 263 2652	WASHER (T.0,20) @	21
T50050	389 267 2217	TIE ROD @	21
T50051	389 267 2017	TIE ROD @	21
T50052	945 267 0117	TIE ROD @	21
T50053	945 267 0017	TIE ROD @	21
T50054	945 267 0617	TIE ROD @	21
T50055	945 260 1030	SHIFT FORK @	21
T50056	945 260 3730	SHIFT FORK @	21
T50057	389 260 4930	SHIFT FORK @	21
T50058	389 265 8204	CONTROL ROD @	21
T50059	389 260 3130	SHIFT FORK @	21
T50060	945 260 0230	SHIFT FORK @	21
T50061	389 265 7804	TIE ROD @	21
T50062	945 265 1904	TIE ROD @	21
T50063	945 265 1204	TIE ROD @	21
T50064	389 260 4830	REVERSE FORK @	21
T50065	389 265 3504	REVERSE TIE ROD @	21
T50066	945 265 1104	REVERSE TIE ROD @	21
T50067	945 265 1004	REVERSE TIE ROD @	21
T50068	389 265 0901	SHIFT FORK @	21
T50069	947 265 2701	SHIFT FORK @	21
T50070	947 265 1901	SHIFT FORK @	21
T50071	389 267 7217	TIE ROD @	21
T50072	389 267 3417	TIE ROD @	21
T50073	389 267 1018	PISTON @	21
T50074	013 997 7548	O-RING @	21
T50075	000472 060000	SEEGER RING (T.2,00) @	24
T50076	945 269 0834	OIL TUBE @	24

TAS n°	OEM n°	DESCRIPTION	PAG.
T50077	389 260 8661	PLANET CARRIER EMPTY @	24
T50078	000472 130000	SEEGER RING @	24
T50079	389 262 0708	REDUCTION RING GEAR (85T.) @	24
T50080	945 260 0850	SYNCHRO RING @	24
T50081	000471 120000	SEEGER RING @	24
T50082	389 262 7854	SPACER (T.3,50) @	25
T50083	945 262 0628	SPEEDOMETER SENSOR @	25
T50084	930 262 0028	SPEEDOMETER SENSOR @	25
T50085	387 262 0828	SPEEDOMETER SENSOR @	25
T50086	389 264 0021	SPEEDOMETER SENSOR GEAR @	25
T50087	945 262 0445	OUTPUT FLANGE (D.200) @	25
T50088	389 262 0645	OUTPUT FLANGE (D.200) @	25
T50089	014 997 5148	O-RING @	25
T50090	945 262 0762	THRUST WASHER @	25
T50091	000000 005728	SCREW (M20X1,5X80) @	25
T50092	945 264 0520	RETARDER GEAR (63 T.) @	25
T50093	945 264 0420	RETARDER GEAR (59 T.) @	25
T50094	945 264 0620	RETARDER GEAR (59 T.) @	25
T50095	387 264 0064	OIL BAFFLE @	25
T50096	007 981 8201	BEARING @	25
T50097	000472 140000	LOCK RING @	25
T50098	912009 045100	LOCK RING @	28
T50099	947 269 1110	OIL PUMP SHAFT @	28
T50100	947 269 1010	OIL PUMP SHAFT @	28
T50101	389 262 5154	SPACER RING (T.1,30) @	28
T50102	389 262 5254	SPACER RING (T.1,25) @	28
T50103	389 262 5354	SPACER RING (T.1,20) @	28
T50104	389 262 5454	SPACER RING (T.1,15) @	28
T50105	389 262 5554	SPACER RING (T.1,10) @	28
T50106	389 262 5654	SPACER RING (T.1,05) @	28
T50107	389 262 5754	SPACER RING (T.1,00) @	28
T50108	389 262 5854	SPACER RING (T.0,95) @	28
T50109	389 262 5954	SPACER RING (T.0,90) @	28
T50110	389 262 6354	SPACER RING (T.0,85) @	28
T50111	389 262 6254	SPACER RING (T.0,80) @	28
T50112	029 997 5748	O-RING @	28



OEM n°	TAS n°	DESCRIPTION	PAG.
000 262 8762	T22833	T/M OIL SEAL RING (78,5X105X7)	08
000 267 0197	T22837	T/M OIL SEAL RING (22X32X8)	20
000 981 4186	T15153	T/M PLANETARY REDUCTION GEAR NEEDLE ROLLER	24
000 992 7603	T49883	BUSH @	02
000 992 7703	T49888	BUSH @	02
000000 005728	T50091	SCREW (M20X1,5X80) @	25
000471 045000	T09547	T/M COUNTERSHAFT 4TH SPEED GEAR SNAP RING	28
000471 120000	T50081	SEEGER RING @	24
000472 060000	T50075	SEEGER RING (T.2,00) @	24
000472 130000	T50078	SEEGER RING @	24
000472 140000	T50097	LOCK RING @	25
000914 006109	T15169	T/M PLANETARY REDUCTION GEAR SHAFT LOCK PIN	24
001 991 7860	T39706	OIL PUMP ELASTIC PIN	28
004 981 9225	T19914	BALL BEARING (45,00X75,00X16,00)	28
004 981 9325	T22628	BALL BEARING (85X150X28)	25
006 994 4241	T50034	LOCK RING @	20
006 997 6447	T22839	T/M OIL SEAL RING (41X48X11,5)	20
007 981 8201	T50096	BEARING @	25
007 994 0041	T50005	SEEGER RING (T.2,50) @	14; 15
007 994 1841	T50021	SEEGER RING @	16
007 997 4248	T50026	O-RING @	20
007603 024105	T49308	RING @	07
007993 050200	T49964	ELASTIC RING @	08
008 981 1325	T47537	BALL BEARING (90,00X130,00X14,00)	24
008 981 3025	T47545	BALL BEARING (80,00X150,00X28,00)	25
009 981 1510	T46626	NEEDLE BEARING (78,00X86,00X35,00)	15
011 981 1305	T22631	TAPERED ROLLER BEARING (75X140X34,25)	07
012 981 8910	T46630	NEEDLE BEARING (42,00X50,00X51,00)	02
012 981 9905	T49998	TAPERED ROLLER BEARING @	14
013 997 7247	T22842	T/M OIL SEAL RING (95X115X13)	02
013 997 7347	T22845	T/M OIL SEAL RING (95X115X13)	02
013 997 7548	T50074	O-RING @	21
014 981 6105	T22617	TAPERED ROLLER BEARING (60X130X33,2)	15
014 997 1248	T50036	SEALING RING @	20
014 997 5148	T50089	O-RING @	25
015 981 1605	T22645	TAPERED ROLLER BEARING (39,7X40,4)	08

OEM n°	TAS n°	DESCRIPTION	PAG.
015 981 6205	T37781	TAPERED ROLLER BEARING (55X29,8)	14
015 981 9005	T37813	TAPERED ROLLER BEARING (50,8X100X34,9)	12
015 997 2848	T49901	O-RING @	02
015 997 6048	T49889	O-RING @	02
016 981 0010	T46608	NEEDLE BEARING (89,00X97,00X40,00)	07
016 981 1205	T22649	TAPERED ROLLER BEARING (60X130X33,5)	12
016 997 6648	T50028	SEALING RING @	20
017 981 5105	T37799	TAPERED ROLLER BEARING CONE (50X41,3)	14
017 997 1847	T49953	SEAL RING @	07
017 997 7148	T49952	SEAL RING @	07
018 981 6610	T46615	NEEDLE BEARING (85,00X93,00X53,00)	14
018 981 7610	T50008	NEEDLE BEARING @	15
019 981 4410	T46634	NEEDLE BEARING (75,00X83,00X55,00)	15
019 997 0547	T22850	T/M OIL SEAL RING (56X72X8)	06
020 997 7848	T49932	O-RING @	06
022 997 4248	T50027	SEALING RING @	20
023 997 1647	T43835	T/M OIL SEAL RING (95X115X15,5)	02
024 997 8347	T22848	T/M OIL SEAL RING (80X90X17)	21
028 997 2248	T49931	O-RING @	06
029 997 5748	T50112	O-RING @	28
210 997 0032	T49309	PLUG @	07
387 262 0828	T50085	SPEEDOMETER SENSOR @	25
387 262 0893	T14487	T/M SYNCHRO SPRING	14; 15
387 262 1093	T14489	T/M SYNCHRO SPRING	07; 14
387 262 2073	T50007	SEEGER RING (T.2,40) @	14; 15
387 262 2173	T50006	SEEGER RING (T.2,45) @	14; 15
387 262 2373	T50004	SEEGER RING (T.2,55) @	14; 15
387 262 2473	T50003	SEEGER RING (T.2,60) @	14; 15
387 262 2573	T50002	SEEGER RING (T.2,65) @	14; 15
387 262 7973	T50001	SEEGER RING (T.2,70) @	14; 15
387 262 8073	T50000	SEEGER RING (T.2,75) @	15
387 262 8173	T49999	SEEGER RING (T.2,80) @	14; 15
387 262 8673	T49961	SEEGER (RING T.3,15) @	07
387 262 8773	T49960	SEEGER (RING T.3,20) @	07
387 262 8873	T49959	SEEGER (RING T.3,25) @	07
387 262 8973	T49958	SEEGER (RING T.3,30) @	07



OEM n°	TAS n°	DESCRIPTION	PAG.
387 262 9073	T49957	SEEGER (RING T.3,35) @	07
387 262 9173	T49956	SEEGER (RING T.3,40) @	07
387 262 9273	T49955	SEEGER (RING T.3,45) @	07
387 262 9373	T49954	SEEGER (RING T.3,50) @	07
387 263 2652	T50049	WASHER (T.0,20) @	21
387 263 2752	T50048	WASHER (T.0,40) @	21
387 263 2852	T50047	WASHER (T.0,60) @	21
387 263 3052	T50046	WASHER (T.1,00) @	21
387 263 3352	T50025	GASKET @	20
387 263 3452	T50024	GASKET @	20
387 263 3552	T50023	GASKET @	20
387 263 3752	T50022	GASKET @	20
387 264 0064	T50095	OIL BAFFLE @	25
387 267 0650	T15517	T/M SHIFT FORK BUSHING	20
389 260 0690	T11135	T/M MAIN DRIVE GEAR OIL PUMP	28
389 260 2036	T14492	T/M PLANETARY REDUCTION SYNCHRO FLANGE WITH CONE (73T.)	24
389 260 3130	T50059	SHIFT FORK @	21
389 260 4830	T50064	REVERSE FORK @	21
389 260 4930	T50057	SHIFT FORK @	21
389 260 5719	T15534	T/M 3RD SPEED GEAR (29-60T.)	14
389 260 8661	T50077	PLANET CARRIER EMPTY @	24
389 261 0408	T49949	FRONT HOUSING @	07
389 261 0420	T18838	T/M CASE OUTPUT COVER	02
389 261 0665	T49970	T/M OIL SEALING RING	07
389 261 1120	T49903	REAR GEARBOX HOUSING @	02
389 261 1920	T49902	OUTPUT COVER @	02
389 261 1933	T49909	ALUMINIUM COVER @	06
389 261 1980	T49904	GASKET @	02
389 261 2333	T49906	COVER @	02
389 261 3303	T49884	GEARBOX HOUSING @	02
389 261 4518	T18901	T/M MAIN DRIVE GEAR BEARING RETAINER	06
389 262 0135	T12340	T/M REVERSE SPEED SYNCHRO HUB (37T.)	15
389 262 0162	T15157	T/M PLANETARY REDUCTION GEAR SPACER RING	24
389 262 0251	T39050	T/M PLANETARY REDUCTION SYNCHRO SPACER	24
389 262 0255	T49547	T/M SPACER RING (T.0,50)	06; 07
389 262 0293	T14493	T/M SYNCHRO SPRING	24

OEM n°	TAS n°	DESCRIPTION	PAG.
389 262 0362	T39369	THRUST WASHER	25
389 262 0407	T15166	T/M PLANETARY REDUCTION GEAR SHAFT	24
389 262 0445	T14494	OUTPUT FLANGE (D.180) @	25
389 262 0537	T12204	T/M PLANETARY REDUCTION SYNCHRO BLOCKING RING	24
389 262 0555	T49933	SPACER RING (T.0,80) @	06; 07
389 262 0637	T12209	T/M SYNCHRO BLOCKING RING	07; 14
389 262 0645	T50088	OUTPUT FLANGE (D.200) @	25
389 262 0708	T50079	REDUCTION RING GEAR (85T.) @	24
389 262 0737	T11712	T/M SYNCHRO BLOCKING RING	14; 15
389 262 0773	T39049	T/M PLANETARY REDUCTION LOCK RING	24
389 262 0855	T49945	SPACER RING (T.0,15) @	07
389 262 0955	T49946	SPACER RING (T.0,10) @	07
389 262 0973	T39045	T/M MAIN DRIVE GEAR LOCK RING	08
389 262 1162	T15159	T/M PLANETARY REDUCTION GEAR THRUST WASHER	24
389 262 1355	T49990	BEARING SPACER (T.1,43) @	08
389 262 1425	T39048	T/M PLANETARY REDUCTION RING GEAR CARRIER (85 T.)	24
389 262 1455	T49989	BEARING SPACER (T.1,46) @	08
389 262 1555	T49988	BEARING SPACER (T.1,49) @	08
389 262 1655	T49987	BEARING SPACER (T.1,52) @	08
389 262 1723	T12208	T/M REVERSE SPEED SYNCHRO SLIDING COLLAR (37T.)	15
389 262 1733	T17371	T/M REVERSE GEAR (40-37T.)	15
389 262 1755	T49985	BEARING SPACER (T.1,58) @	08
389 262 1823	T15541	T/M REVERSE SPEED SYNCHRO SLIDING COLLAR (37T.)	15
389 262 1854	T15519	T/M MAIN DRIVE GEAR BEARING SPACER RING	14
389 262 1855	T49984	BEARING SPACER (T.1,61) @	08
389 262 1952	T49991	BEARING SPACER (T.1,35) @	09
389 262 1955	T49983	BEARING SPACER (T.1,64) @	08
389 262 2052	T50040	BEARING SPACER (T.1,40) @	08;20
389 262 2055	T49982	BEARING SPACER (T.1,67) @	08
389 262 2155	T20224	T/M MAIN DRIVE GEAR BEARING SPACER (T.1,73)	08
389 262 2255	T49981	BEARING SPACER (T.1,76) @	08
389 262 2351	T49997	SPACER (T.6,90) @	14
389 262 2352	T49986	BEARING SPACER (T.1,55) @	08
389 262 2355	T50039	BEARING SPACER (T.1,80) @	08;20
389 262 2405	T18025	T/M MAINSHAFT	15
389 262 2455	T49980	BEARING SPACER (T.1,82) @	08



OEM n°	TAS n°	DESCRIPTION	PAG.
389 262 2535	T15543	T/M 1ST AND 2ND SPEED SYNCHRO HUB	15
389 262 2550	T17369	T/M REVERSE GEAR SLEEVE	15
389 262 2555	T50043	SPACER (T.0,70) @	20
389 262 2655	T50042	SPACER (T.0,90) @	20
389 262 2711	T17375	T/M 1ST SPEED GEAR (44-44T.)	15
389 262 2754	T49992	BEARING SPACER (T.1,30) @	09
389 262 2812	T17372	T/M 2ND SPEED GEAR (39-44T.)	15
389 262 2835	T17378	T/M 3RD AND 4TH SPEED SYNCHRO HUB (60T.)	14
389 262 2854	T49995	BEARING SPACER (T.0,50) @	09
389 262 2952	T49969	BEARING SPACER (T.1,85) @	08
389 262 3052	T49968	BEARING SPACER (T.1,90) @	08
389 262 3055	T49944	SPACER RING (T.0,25) @	07
389 262 3152	T49967	BEARING SPACER (T.1,95) @	08
389 262 3155	T49943	SPACER RING (T.0,28) @	07
389 262 3252	T50038	BEARING SPACER (T.2,00) @	08;20
389 262 3254	T50033	BEARING SPACER (T.1,05) @	09; 20
389 262 3255	T49942	SPACER RING (T.0,31) @	07
389 262 3352	T50037	BEARING SPACER (T.2,50) @	08;20
389 262 3354	T50032	BEARING SPACER (T.1,10) @	09; 20
389 262 3355	T49941	SPACER RING (T.0,34) @	07
389 262 3454	T49994	BEARING SPACER (T.1,15) @	09
389 262 3455	T49940	SPACER RING (T.0,37) @	06
389 262 3552	T50019	WASHER (T.0,10) @	16
389 262 3554	T50041	BEARING SPACER (T.1,20) @	09; 20
389 262 3555	T49939	SPACER RING (T.0,40) @	06
389 262 3652	T50018	WASHER (T.0,15) @	16
389 262 3654	T49993	BEARING SPACER (T.1,25) @	09
389 262 3655	T49938	SPACER RING (T.0,43) @	06
389 262 3713	T18841	T/M 3RD SPEED GEAR (29-44T.)	14
389 262 3754	T50020	BUSHING @	16
389 262 3755	T49937	SPACER RING (T.0,46) @	06
389 262 3810	T15161	T/M DRIVE GEAR (36-60-60T.)	14
389 262 3852	T50017	WASHER (T.0,40) @	16
389 262 3855	T49936	SPACER RING (T.0,49) @	06
389 262 3935	T50010	REVERSE SPEED SYNCHRO HUB @	15
389 262 3955	T49935	SPACER RING (T.0,52) @	06

OEM n°	TAS n°	DESCRIPTION	PAG.
389 262 4055	T49934	SPACER RING (T.0,55) @	06
389 262 4434	T18365	T/M PLANETARY REDUCTION SYNCHRO CONE (73T.)	24
389 262 4735	T15521	T/M 3RD AND 4TH SPEED SYNCHRO HUB	14
389 262 4752	T49900	SPACER (T.0,10) @	02
389 262 4935	T12224	T/M PLANETARY REDUCTION SYNCHRO HUB (73T.)	24
389 262 4952	T49899	SPACER (T.0,25) @	02
389 262 5052	T49898	SPACER (T.0,40) @	02
389 262 5154	T50101	SPACER RING (T.1,30) @	28
389 262 5254	T50102	SPACER RING (T.1,25) @	28
389 262 5354	T50103	SPACER RING (T.1,20) @	28
389 262 5454	T50104	SPACER RING (T.1,15) @	28
389 262 5552	T19634	T/M MAIN DRIVE GEAR BEARING SPACER (T.1,20)	08
389 262 5554	T50105	SPACER RING (T.1,10) @	28
389 262 5652	T49966	BEARING SPACER (T.0,80) @	08
389 262 5654	T50106	SPACER RING (T.1,05) @	28
389 262 5752	T20225	T/M MAIN DRIVE GEAR BEARING SPACER (T.0,50)	08
389 262 5754	T50107	SPACER RING (T.1,00) @	28
389 262 5854	T50108	SPACER RING (T.0,95) @	28
389 262 5952	T19070	T/M MAIN DRIVE GEAR BEARING SPACER (T.0,10)	08
389 262 5954	T50109	SPACER RING (T.0,90) @	28
389 262 6254	T50111	SPACER RING (T.0,80) @	28
389 262 6354	T50110	SPACER RING (T.0,85) @	28
389 262 6601	T15548	T/M MAIN DRIVE GEAR (60T.)	08
389 262 7754	T49897	SPACER (T.1,40) @	02
389 262 7854	T50082	SPACER (T.3,50) @	25
389 262 7910	T15162	T/M DRIVE GEAR (36-44-60T.)	14
389 262 7954	T19635	T/M MAIN DRIVE GEAR BEARING SPACER (T.0,30)	08
389 262 8301	T17832	T/M MAIN DRIVE GEAR (60T.)	08
389 262 9234	T15526	T/M PLANETARY REDUCTION SYNCHRO CONE (73T.)	24
389 263 0430	T49907	REVERSE PIN @	02
389 263 0552	T50014	WASHER (T.0,80) @	16
389 263 0850	T17269	T/M REVERSE IDLER GEAR BUSHING	02
389 263 1031	T17379	T/M REVERSE IDLER GEAR (21T.)	02
389 263 4052	T50016	WASHER (T.0,60) @	12; 16
389 263 4252	T50015	WASHER (T.0,70) @	12; 16
389 263 4452	T50013	WASHER (T.0,85) @	12; 16



OEM n°	TAS n°	DESCRIPTION	PAG.	OEM n°	TAS n°	DESCRIPTION	PAG.
389 263 4652	T50012	WASHER (T.0,95) @	12; 16	389 269 0706	T39052	T/M OIL PUMP DRIVEN GEAR BIG (EXTERNAL)	28
389 263 5052	T50011	WASHER (T.1,15) @	12; 16	389 269 1406	T39053	T/M OIL PUMP DRIVE GEAR SMALL (INTERNAL)	28
389 263 5352	T49928	SPACER (T.0,40) @	06	389 269 8534	T39690	T/M MAIN DRIVE GEAR TUBE	08
389 263 5552	T49927	SPACER (T.0,46) @	06	389 990 2019	T39371	SCREW (M24X2X80)	25
389 263 5752	T49926	SPACER (T.0,52) @	06	389 994 0041	T49996	SEEGER RING @	12
389 263 5952	T49925	SPACER (T.0,58) @	06	406 337 0252	T49930	SPACER (T.0,10) @	06
389 263 6152	T49924	SPACER (T.0,64) @	06	406 337 0352	T49929	SPACER (T.0,20) @	06
389 263 6352	T49923	SPACER (T.0,70) @	06	655 260 0197	T15164	T/M PLANETARY REDUCTION GEAR REPAIR KIT (28T.)	24
389 263 6552	T49922	SPACER (T.0,76) @	06	655 260 2823	T49950	GEARBOX FRONT HOUSING @	07
389 263 6752	T49921	SPACER (T.0,82) @	06	655 260 3623	T49885	GEARBOX HOUSING @	02
389 263 6952	T49920	SPACER (T.0,88) @	06	656 260 2112	T49891	GEARBOX HOUSING @	02
389 263 7152	T49919	SPACER (T.0,94) @	06	912009 045100	T50098	LOCK RING @	28
389 263 7352	T49918	SPACER (T.1,00) @	06	930 260 2511	T49886	GEARBOX HOUSING @	02
389 263 7552	T49917	SPACER (T.1,06) @	06	930 260 2811	T49887	GEARBOX HOUSING @	02
389 263 7752	T49916	SPACER (T.1,12) @	06	930 261 0426	T49364	T/M CASE OUTPUT COVER	02
389 263 7952	T49915	SPACER (T.1,18) @	06	930 262 0028	T50084	SPEEDOMETER SENSOR @	25
389 263 8152	T49914	SPACER (T.1,24) @	06	930 264 0320	T38830	T/M RETARDED GEAR (64T.)	25
389 263 8352	T49913	SPACER (T.1,30) @	06	945 260 0111	T45108	T/M GEARBOX FRONT HOUSING	07
389 263 8552	T49912	SPACER (T.1,36) @	06	945 260 0230	T50060	SHIFT FORK @	21
389 264 0021	T50086	SPEEDOMETER SENSOR GEAR @	25	945 260 0850	T50080	SYNCHRO RING @	24
389 264 0730	T20664	T/M REDUCTION RETARDER GEAR WITH SYNCHRO CONE (63T.)	25	945 260 1030	T50055	SHIFT FORK @	21
389 265 0901	T50068	SHIFT FORK @	21	945 260 3730	T50056	SHIFT FORK @	21
389 265 1201	T50044	SHIFT FORK @	20	945 260 4461	T15503	T/M PLANETARY REDUCTION CARRIER	24
389 265 2449	T14815	T/M SHIFT FORK SLIDING BLOCK (BRONZE)	21	945 260 4461/KIT	T38331	T/M PLANETARY REDUCTION CARRIER FULL KIT	25
389 265 3504	T50065	REVERSE TIE ROD @	21	945 260 4661	T21059	T/M PLANETARY REDUCTION CARRIER WITH GEARS (28T.)	24
389 265 7804	T50061	TIE ROD @	21	945 260 5411	T49951	GEARBOX FRONT HOUSING @	07
389 265 8204	T50058	CONTROL ROD @	21	945 260 6812	T49892	GEARBOX HOUSING @	02
389 267 1018	T50073	PISTON @	21	945 260 6912	T49895	GEARBOX HOUSING @	02
389 267 2017	T50051	TIE ROD @	21	945 261 0080	T49905	GASKET @	02
389 267 2217	T50050	TIE ROD @	21	945 261 1033	T49404	T/M OIL PUMP COVER	02
389 267 2819	T45486	T/M CYLINDER	20	945 261 1118	T38823	T/M MAIN DRIVE GEAR BEARING RETAINER	06
389 267 3319	T50030	SHIFTING CYLINDER @	20	945 261 1218	T49948	COVER @	07
389 267 3417	T50072	TIE ROD @	21	945 261 3503	T49893	GEARBOX HOUSING @	02
389 267 4219	T19072	T/M GEARBOX RANGE CHANGE CYLINDER	21	945 261 3826	T49894	GEARBOX HOUSING @	02
389 267 7217	T50071	TIE ROD @	21	945 261 5003	T49890	GEARBOX HOUSING @	02
389 269 0310	T17548	T/M MAIN DRIVE GEAR OIL PUMP SHAFT (30-16 SPLINES)	28	945 262 0006	T15165	T/M PLANETARY REDUCTION GEAR (28T.)	24



OEM n°	TAS n°	DESCRIPTION	PAG.
945 262 0045	T38800	T/M OUTPUT FLANGE (D.180)	25
945 262 0108	T17255	T/M PLANETARY REDUCTION RING GEAR (85T.)	24
945 262 0208	T18853	T/M PLANETARY REDUCTION RING GEAR (85T.)	24
945 262 0434	T15552	T/M 1ST AND 2ND SPEED SYNCHRO CONE (66T.)	15
945 262 0445	T50087	OUTPUT FLANGE (D.200) @	25
945 262 0528	T20414	SPEEDOMETER SENSOR	25
945 262 0534	T12284	T/M SYNCHRO CONE (66T.)	14
945 262 0628	T50083	SPEEDOMETER SENSOR @	25
945 262 0762	T50090	THRUST WASHER @	25
945 262 0808	T39047	T/M PLANETARY REDUCTION RING GEAR (85 T.)	24
945 262 0823	T12237	SLIDING SLEEVE	24
945 262 0909	T15411	T/M PLANETARY REDUCTION SUN GEAR (25T.)	16
945 262 2723	T12310	T/M SYNCHRO SLIDING COLLAR (66T.)	14; 15
945 262 2823	T15317	T/M SYNCHRO SLIDING COLLAR (60T.)	08; 14
945 262 3233	T15520	T/M REVERSE GEAR (40-37T.)	15
945 262 3333	T39046	T/M REVERSE SPEED GEAR (40T.)	15
945 262 3605	T17383	T/M MAINSHAFT	15
945 262 3834	T18880	T/M PLANETARY REDUCTION SYNCHRO CONE (73T.)	24
945 262 3835	T39044	T/M REVERSE SPEED SYNCHRO HUB (37T.)	15
945 262 4110	T15168	T/M CONSTANT GEAR (32-60T.)	07
945 262 4403	T49962	MAIN DRIVE GEAR @	08
945 262 4505	T17863	T/M MAINSHAFT	15
945 262 4710	T38569	T/M CONSTANT GEAR (39T.)	07
945 262 5434	T20990	T/M SYNCHRO CONE	14
945 262 5534	T20991	T/M SYNCHRO CONE	15
945 262 5617	T20992	T/M DRIVE GEAR (36T.)	14
945 262 6203	T49963	MAIN DRIVE GEAR @	08
945 262 6523	T18882	T/M 3RD AND 4TH SPEED SYNCHRO SLIDING COLLAR (66T.)	14; 15
945 262 6823	T19309	T/M SYNCHRO SLIDING COLLAR (60T.)	08
945 262 6923	T18883	T/M PLANETARY REDUCTION SYNCHRO SLIDING COLLAR (73T.)	24
945 262 7517	T20993	T/M CONSTANT GEAR (32T.)	07
945 262 8911	T50009	1ST SPEED GEAR @	15
945 263 0041	T49908	KEY @	02
945 263 0810	T15553	T/M COUNTERSHAFT CONSTANT GEAR (31T.)	12
945 263 2902	T17380	T/M COUNTERSHAFT (16-21T.)	12
945 263 3213	T17384	T/M COUNTERSHAFT 3RD AND 4TH SPEED GEAR (29-34T.)	12

OEM n°	TAS n°	DESCRIPTION	PAG.
945 264 0420	T50093	RETARDER GEAR (59 T.) @	25
945 264 0520	T50092	RETARDER GEAR (63 T.) @	25
945 264 0620	T50094	RETARDER GEAR (59 T.) @	25
945 265 0001	T50045	SHIFT FORK @	21
945 265 1004	T50067	REVERSE TIE ROD @	21
945 265 1104	T50066	REVERSE TIE ROD @	21
945 265 1204	T50063	TIE ROD @	21
945 265 1474	T49896	PIN @	02
945 265 1904	T50062	TIE ROD @	21
945 267 0017	T50053	TIE ROD @	21
945 267 0019	T50035	CYLINDER @	20
945 267 0117	T50052	TIE ROD @	21
945 267 0218	T50029	PISTON @	20
945 267 0519	T49125	T/M ALLUMINIUM GEARBOX RANGE CHANGE CYLINDER-MPS	22
945 267 0617	T50054	TIE ROD @	21
945 267 0619	T50031	SHIFTING CYLINDER @	20
945 267 0819	T49544	T/M SHIFTING CYLINDER	20
945 269 0201	T38525	OIL PUMP COVER	28
945 269 0834	T50076	OIL TUBE @	24
945 990 0250	T49965	NUT @	08
946 260 3661	T19491	T/M PLANETARY REDUCTION CARRIER	24
947 260 0545	T20573	T/M SYNCHRO BLOCKING RING (MOLYBDENUM)	07; 14
947 260 1945	T45470	T/M SYNCHRO BLOCKING RING WITH SPRING	14; 15
947 260 3036	T20995	T/M PLANETARY REDUCTION SYNCHRO FLANGE WITH CONE	24
947 260 3045	T20997	T/M PLANETARY REDUCTION SYNCHRO BLOCKING RING (CARBON)	24
947 260 3045/M	T46660	T/M REDUCTION SYNCHRO BLOCKING RING (MOLYBDENUM)	24
947 265 0249	T15527	T/M SHIFT FORK SLIDING BLOCK (BRONZE)	21
947 265 0349	T18588	T/M SHIFT FORK SLIDING BLOCK (BRONZE)	21
947 265 1901	T50070	SHIFT FORK @	21
947 265 2701	T50069	SHIFT FORK @	21
947 269 1001	T38524	T/M OIL PUMP HOUSING	28
947 269 1010	T50100	OIL PUMP SHAFT @	28
947 269 1110	T50099	OIL PUMP SHAFT @	28
976 261 1133	T49910	COVER @	06
976 261 1833	T49911	COVER @	06
976 263 0030	T17385	T/M REVERSE IDLER GEAR SHAFT	02



TRACTOR AUTOMOBILE SPARES

Head Office:

Via Argine, 306 - 80147 Napoli

Tel.: +39 081 7520645

Fax: +39 081 7529475

web@tas-spa.com

www.tas-spa.com



[facebook.com/Tas.Spa.TractorAutomobileSpares](https://www.facebook.com/Tas.Spa.TractorAutomobileSpares)