

G 85-6/6,7-0,73



TRACTOR AUTOMOBILE SPARES

MERCEDES®





**TRACTOR AUTOMOBILE SPARES**  
A WORLD OF QUALITY PARTS

T.A.S. is specialised in the manufacture and sale of **replacement spare parts**, such as bull gears, crown wheel and pinion sets (with straight or helical teeth), synchroniser assemblies with molybdenum or carbon coating, shafts, main drive gears and other components, suitable for **transmissions and differentials of light-duty vehicles, trucks, buses, agricultural tractors and earthmoving machinery.**

These items are heat-treated where required and may be subjected to special processes, such as Shot-Peening, Sulf BT and corrosion proofing.

T.A.S. products are **totally interchangeable** with the genuine parts, as they are made to the same high quality standards, utilising modern technology and thanks to the continual specialisation of its staff. The **'MADE IN ITALY'** nature of the parts has been maintained with notable efforts.

Thanks to its sales network, T.A.S. products are **distributed and appreciated throughout the five continents** and the customers enjoy continuous support, both from **local agents** and from **mother-tongue commercial staff** at the company headquarters.



**Strong Corporate identity**  
conveyed in a professionally  
developed communication system.



**MADE IN ITALY**





TAS BRANCH  
ARGELATO (BO)



TAS HEAD OFFICE AND WAREHOUSES  
NAPOLI



Tri-Wall  
corrugated  
cardboard  
box



Opening a TAS pack, you'll be astonished  
by its **explosive** content.

Hardwood pallet compliant  
with IPPC ISPM 15





Our packaging is designed to ensure the **originality** and **integrity** of the product.

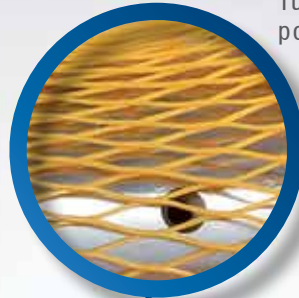
Use your mobile phone to read the QR code that you find on the label.



You'll be directed to additional information on the TAS website.



Tubular protective polyethylene nets

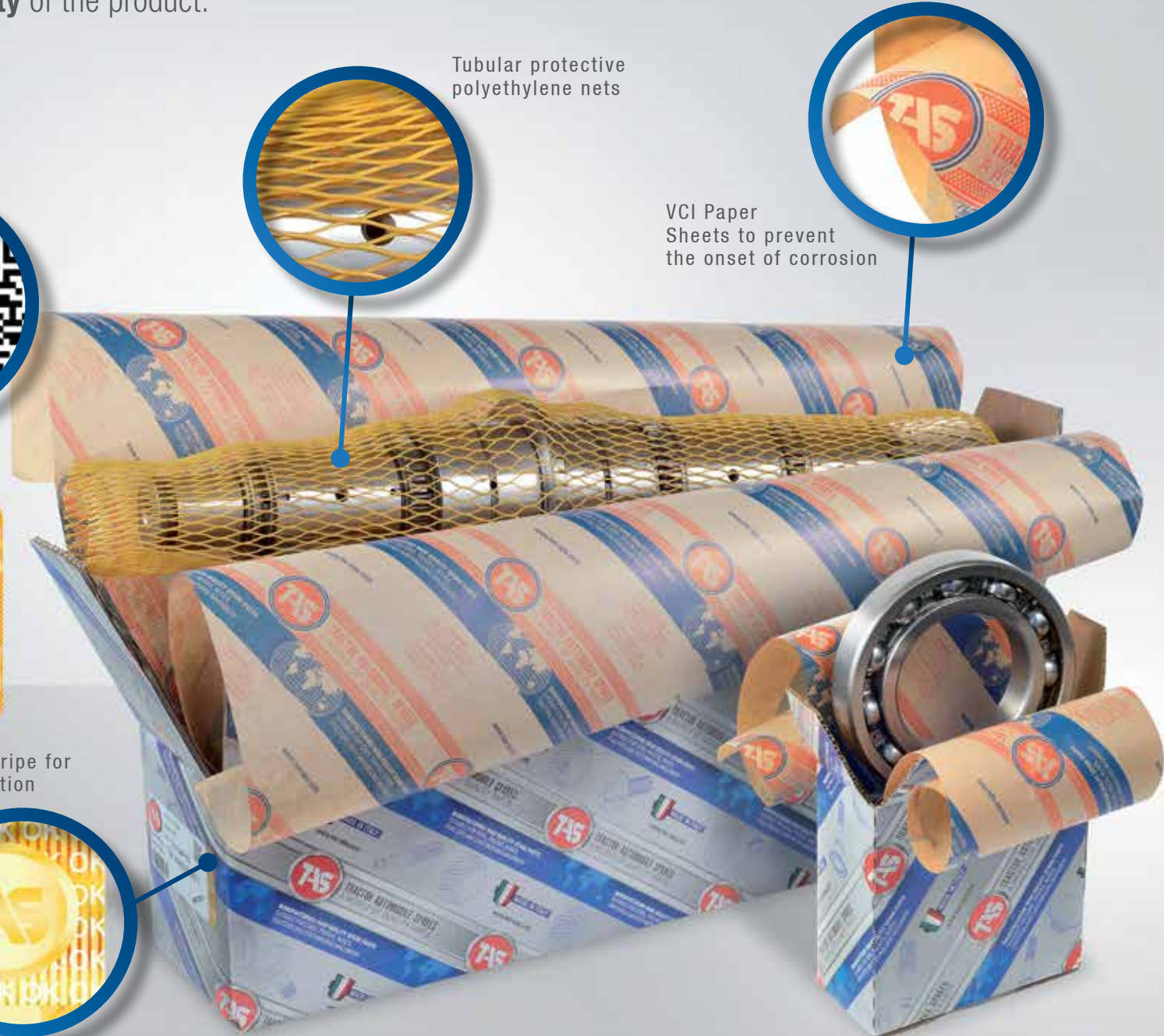


VCI Paper Sheets to prevent the onset of corrosion



High-security OVD stripe for a reliable authentication of the product

SECURITY FOIL  
 Moving DynaKey  
 up and down  
 "OK" is readable.





# LEGEND - how to read this catalogue

**CHART NUMBER** (points to CH. 01)

**TAS REFERENCE NUMBER** (points to T21867)

**QUANTITY PER GEARBOX OR DIFFERENTIAL** (points to QTY. 1)

**DESCRIPTION OF ITEMS** (points to T/M GASKET)

**NOTES** (points to INCLUDED IN 1315 298 001 GASKET KIT)

**WEIGHT IN KILOGRAMS** (points to WEIGHT/Kg 0,000)

**FIGURE NUMBER** (points to FIG. 01)

**ORIGINAL MANUFACTURER'S PART NUMBER** (points to DEM no. 1315 301 2...)

**REFERENCE TO THE CHART AND FIGURE** (points to CH. 1 - FIG. 01)

**KIT COMPONENTS IN RED BOX** (points to CH. 4 - FIG. 03-01)

**TAS REFERENCE NUMBER** (points to T17608)

**16 S 151 DAF CHART 1: GEARBOX**

CH.	FIG.	TAS no.	DEM no.	QTY.	DESCRIPTION	NOTES	WEIGHT/Kg
1	01	T21867	1315 301 2...	1	T/M GASKET		0,000
1	02	T21735	0730 008 6...	4	T/M OIL SEAL RING 24X29	INCLUDED IN 1315 298 001 GASKET KIT	0,000
1	03	T22053	0730 009 1...	2	T/M GASKET 22X27		0,000
1	04	T21981	0634 313 1...	1	T/M O/RING 20X3		0,000
1	05	T20919	1315 301 002	1	T/M REVERSE IDLER GEAR (22T.)		1,780
1	06	T21827	0501 316 1...	1	T/M GASKET		0,000
1	07	T09068	0732 040 7...	1	T/M PLANETARY REDUCTION SYNCHRONIZER PRESSURE SPRING, OUTER		0,005
1	08	T22033	0634 313 2...	1	T/M GASKET 26X31		0,000

**16 S 151 DAF CHART 4: MAIN SHAFT**

**IMAGES**

**CH. 4 - FIG. 01** (T17608)

**CH. 4 - FIG. 02** (T19184)

**CH. 4 - FIG. 03-01** (T15090)

**CH. 4 - FIG. 03-02** (T15059)

**CH. 4 - FIG. 03-04** (T15072)

**CH. 4 - FIG. 03-05** (T18047)

**CH. 4 - FIG. 03-06** (T13440)

**CH. 4 - FIG. 03-07** (T15096)

**CH. 4 - FIG. 03-08** (T15096)

**CH. 4 - FIG. 03-09** (T15096)

**CH. 4 - FIG. 03-10** (T15096)

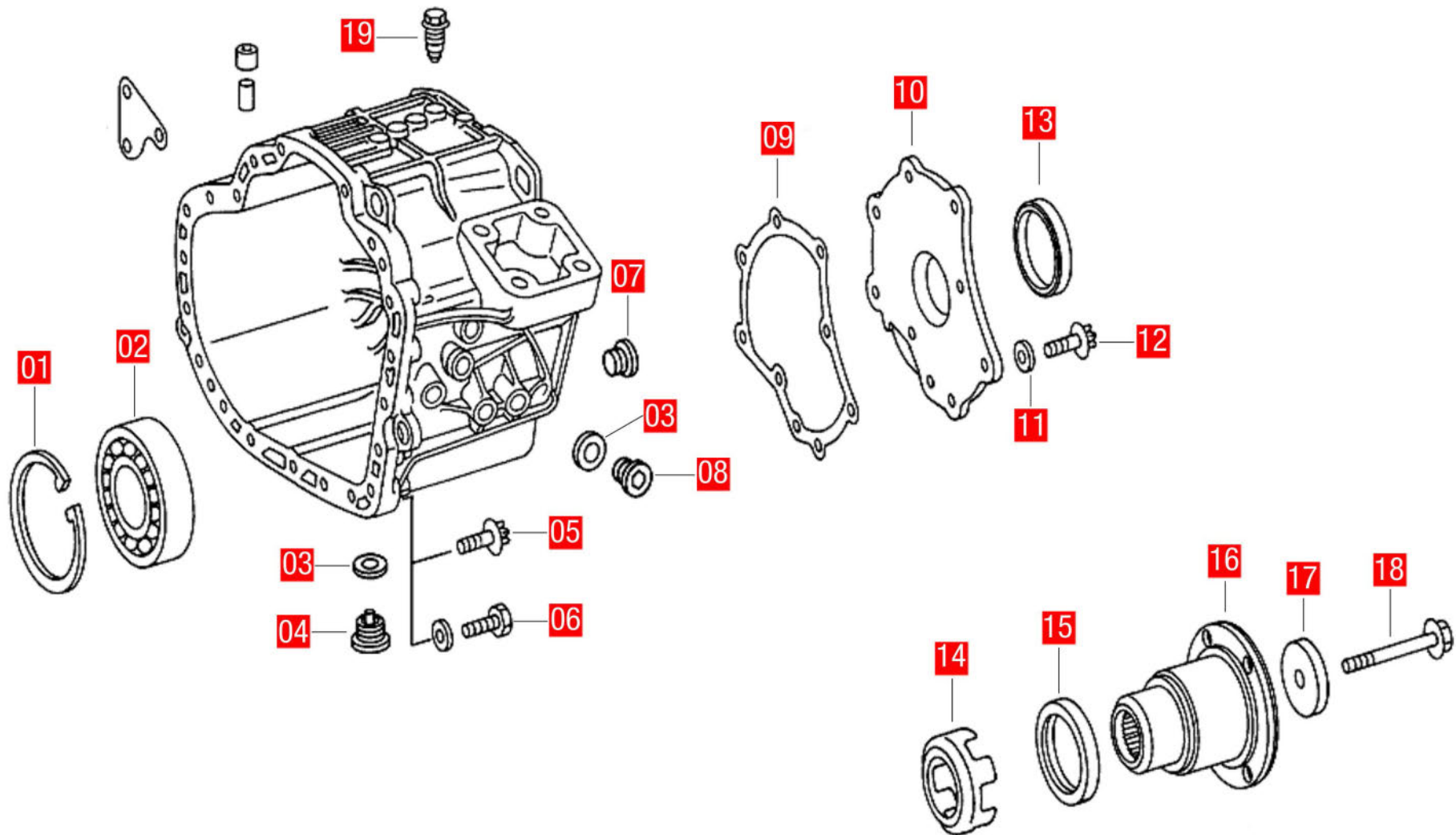


# TRACTOR AUTOMOBILE SPARES





CHART 1





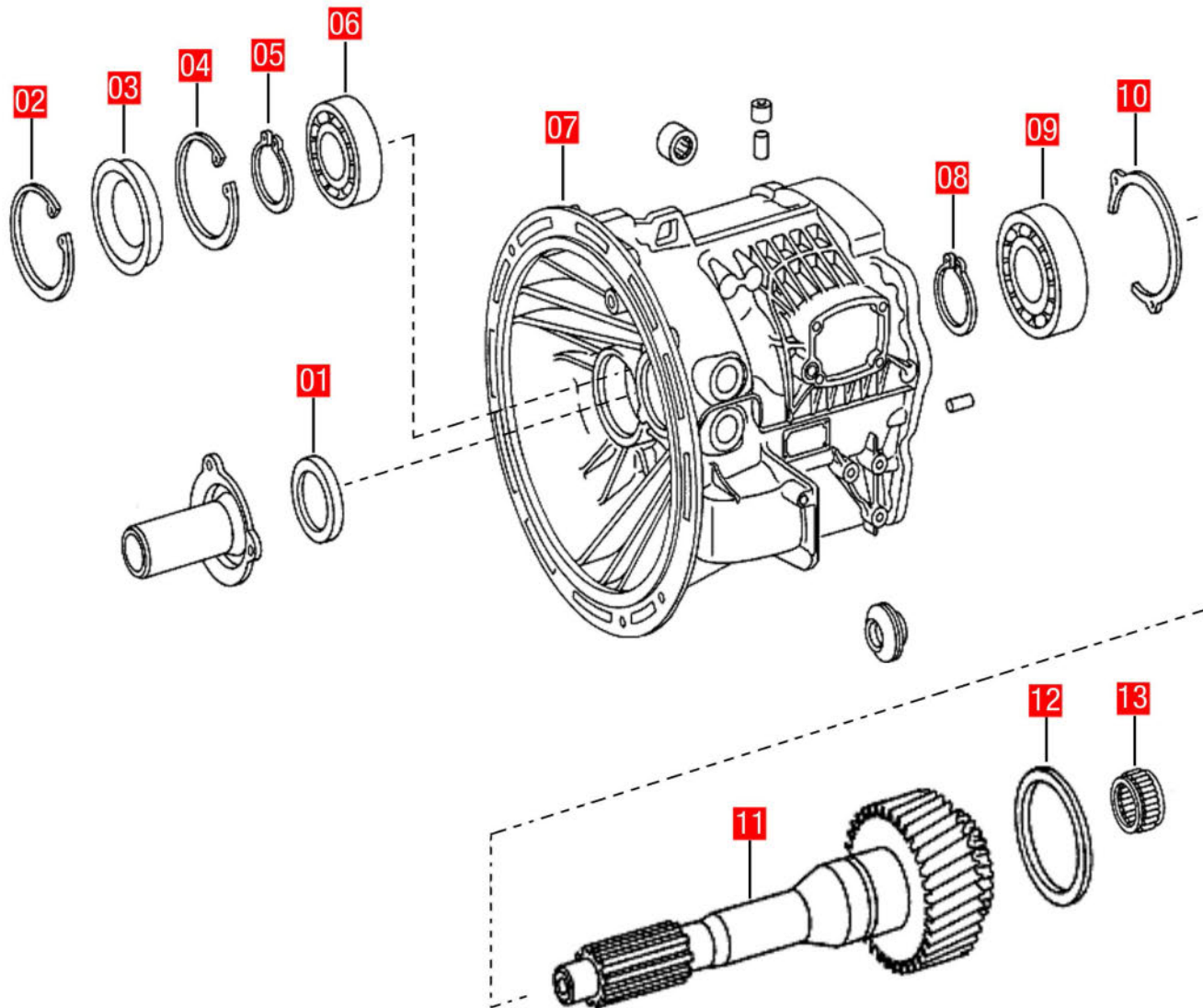


G 85-6/6,7-0,73  
CHART 1: GEARBOX HOUSING

CH.	FIG.	TAS n°	OEM n°	NEW OEM N°	QT.Y	DESCRIPTION	NOTES	WEIGHT/Kg
01	01	T49306	970 994 3641		1	RETAINER RING (T.4,00) @		
01	01	T49307	970 994 3041		1	RETAINER RING (T.3,90) @		
01	02	T49218	009 981 5825	009 981 5525	1	BALL BEARING (55,00X120,00X29,00)		
01	03	T49308	007603 024105		2	RING @		
01	04	T49309	210 997 0032		1	PLUG @		
01	05	T49310	910143 010000		2	SCREW @		
01	06	T49311	304017 010051		1	SCREW @		
01	07	T49312	000908 020001		1	PLUG @		
01	08	T49313	210 997 0132		1	PLUG @		
01	09	T49314	970 261 0380		1	GASKET @		
01	10	T49315	970 261 0133		1	COVER @		
01	11	T49316	000433 013010		9	WASHER @		
01	12	T49317	910105 010006		9	SCREW @		
01	13	T49318	970 263 0350		1	WASHER @		
01	14	T49319	970 262 0128		1	DISK @		
01	15	T45225	024 997 3247		1	T/M OIL SEAL RING		
01	16	T49320	970 262 1045		1	FLANGE @		
01	16	T49321	970 262 1345		1	FLANGE @		
01	16	T49322	976 262 0845		1	FLANGE @		
01	16	T49323	970 262 1145		1	FLANGE @		
01	17	T49324	383 282 0262		1	WASHER @		
01	18	T49325	910105 016005		1	SCREW @		
01	19	T49331	970 260 1554		4	PIN WITH BALL @		



CHART 2





G 85-6/6,7-0,73  
CHART 2: MAIN DRIVE GEAR AND CONNECTION PLATE

CH.	FIG.	TAS n°	OEM n°	NEW OEM N°	QT.Y	DESCRIPTION	NOTES	WEIGHT/Kg
02	01	T45221	021 997 2547	013 997 2646	1	T/M OIL SEAL RING (46,00X64,00X8,00)		
02	02	T49268	970 263 0093		1	SNAP RING @		
02	03	T45215	970 261 0333		1	T/M GEARBOX FRONT COVER		
02	04	T49269	970 994 1941		1	SNAP RING (T.2,91) @		
02	05	T49270	900055 045300		1	LOCK RING (T.2,50) @		
02	05	T49271	970 994 2641		1	LOCK RING (T.2,40) @		
02	05	T49272	970 994 2441		1	LOCK RING (T.2,30) @		
02	05	T49273	970 994 2241		1	LOCK RING (T.2,20) @		
02	05	T49274	970 994 4341		1	LOCK RING (T.2,10) @		
02	06	T22337	009 981 5725	009 981 5225	1	BALL BEARING (45X100X25)		0,840
02	07	T49275	970 261 0801		1	GEARBOX HOUSING @		
02	07	T49276	976 261 2601		1	GEARBOX HOUSING @		
02	08	T49277	970 994 3341		1	SNAP RING (T.2,96) @		
02	08	T49278	970 994 0841		1	SNAP RING (T.2,88) @		
02	08	T49279	970 994 0641		1	SNAP RING (T.2,80) @		
02	09	T49218	009 981 5825	009 981 5525	1	BALL BEARING (55,00X120,00X29,00)		
02	10	T49280	970 994 4141		1	RETAINER RING (T.4,00) @		
02	10	T49281	970 994 3941		1	RETAINER RING (T.3,90) @		
02	11	T45236	976 262 1702		1	T/M MAIN DRIVE GEAR (28 T.)		
02	11	T45640	976 262 1402		1	T/M MAIN DRIVE GEAR (28T.)		4,225
02	11	T45625	976 262 0502	976 262 0202	1	T/M MAIN DRIVE GEAR (28T.)		
02	11	T49282	976 262 2302		1	MAIN DRIVE GEAR @		
02	12	T49283	970 262 2052		1	WASHER (T.4,80) @		
02	12	T49284	970 262 1952		1	WASHER (T.4,70) @		
02	12	T49285	970 262 1852		1	WASHER (T.4,60) @		
02	12	T49286	970 262 1752		1	WASHER (T.4,50) @		
02	12	T49287	970 262 1652		1	WASHER (T.4,40) @		
02	12	T49288	970 262 1552		1	WASHER (T.4,30) @		
02	12	T49289	970 262 1452		1	WASHER (T.4,20) @		
02	12	T49290	970 262 1352		1	WASHER (T.4,10) @		
02	12	T49291	970 262 1252		1	WASHER (T.4,00) @		
02	12	T49292	970 262 1152		1	WASHER (T.3,90) @		
02	13	T45205	976 981 0012		1	NEEDLE BEARING		



CH. 2- FIG 06



T22337

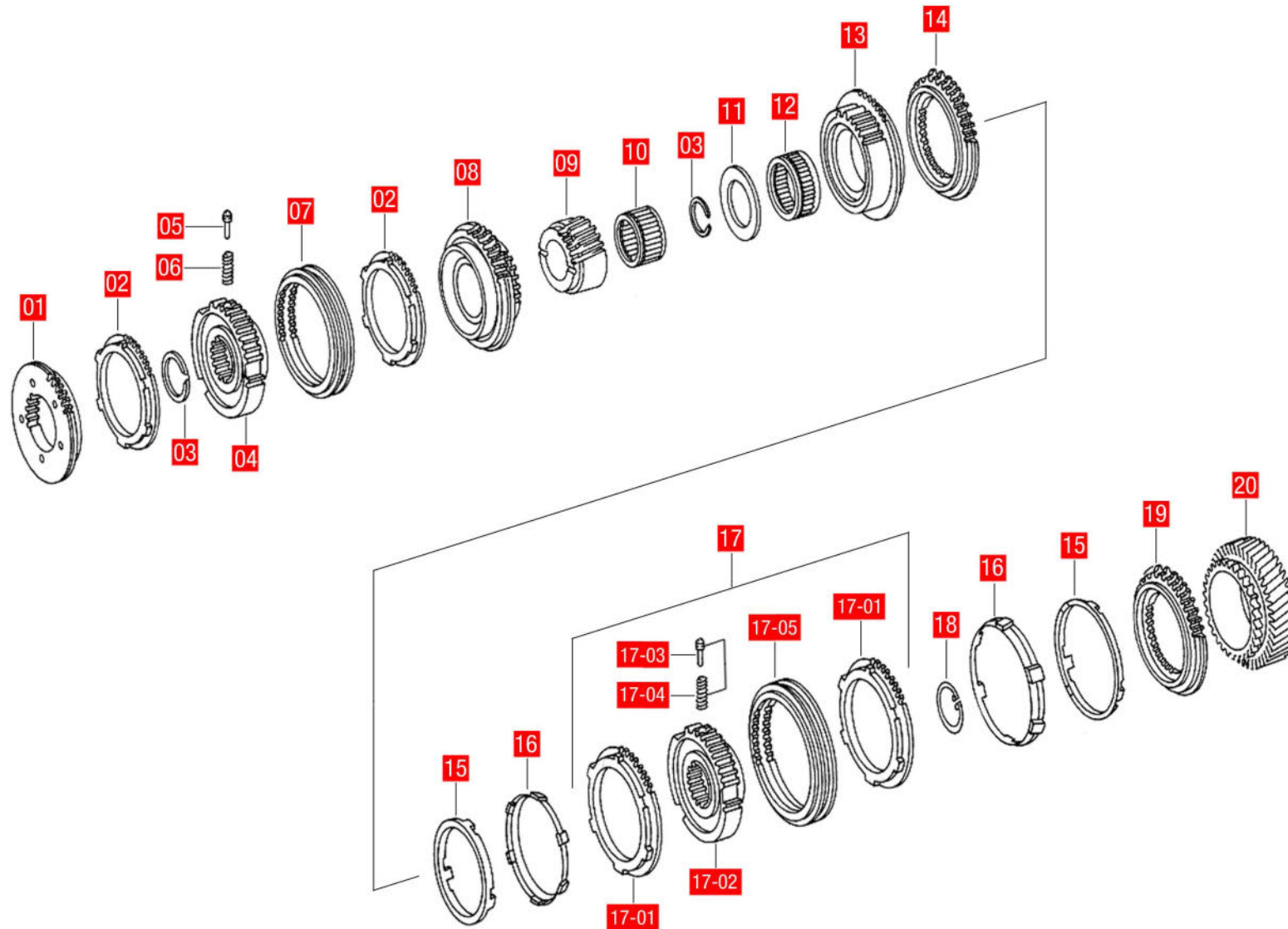


# TRACTOR AUTOMOBILE SPARES





CHART 3





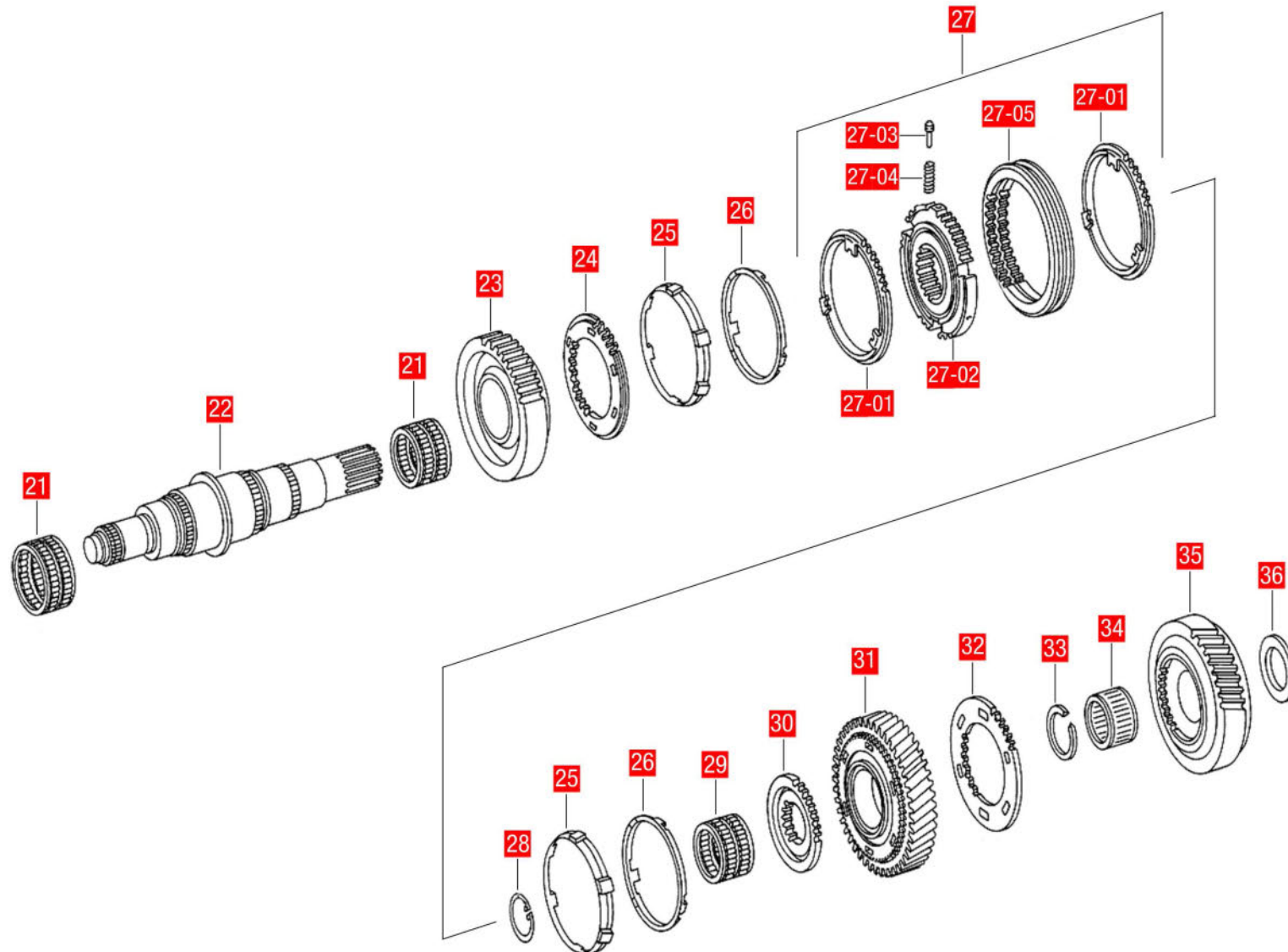
CH.	FIG.	TAS n°	OEM n°	NEW OEM N°	QT.Y	DESCRIPTION	NOTES	WEIGHT/Kg
03	01	T45196	970 262 1534		1	T/M 5TH & 6TH SPEED SYNCHRONIZER CONE		
03	02	T45192	970 262 3037		2	T/M 5TH & 6TH SPEED SYNCHRONIZER BLOCKING RING		
03	03	T49293	976 262 1094		2	ELASTIC RING (T.2,10) @		
03	03	T49294	976 262 1194		2	ELASTIC RING (T.2,06) @		
03	03	T49295	976 262 1294		2	ELASTIC RING (T.2,02) @		
03	04	T45633	976 262 0835		1	T/M SYNCHRONIZER HUB	[1]	1,325
03	04	T45593	695 262 0035		1	T/M SYNCHRONIZER HUB (OLD TYPE)	[2]	1,175
03	05	T45168	970 262 0274		3	T/M SYNCHRONIZER PRESSURE PLUNGER		
03	06	T45210	970 993 6401		3	T/M SYNCHRONIZER COMPRESSION SPRING		
03	07	T45200	970 262 2923		1	T/M 5TH & 6TH SPEED SYNCHRONIZER SLIDING COLLAR		
03	08	T45644	976 262 1634		1	T/M SYNCHRONIZER CONE (60T.)	[1]	0,685
03	08	T45590	695 262 0034		1	T/M SYNCHRONIZER CONE (OLD TYPE)	[2]	0,935
03	09	T45627	976 262 0816		1	T/M 6TH SPEED GEAR (24T.)	[1]	0,975
03	09	T45636	976 262 1016		1	T/M 6TH SPEED GEAR (24T.) (OLD TYPE)	[2]	
03	10	T49227	018 981 3610		1	NEEDLE BEARING (50,00X56,00X43,70)		
03	11	T49296	976 262 0062		1	WASHER @		
03	11	T45231	976 262 0462		1	WASHER		
03	12	T49233	017 981 5610	018 981 9510	1	NEEDLE BEARING (72,00X80,00X29,80)		
03	13	T45604	970 262 1114		1	T/M 4TH SPEED GEAR (35T.)		1,875
03	14	T19033	970 262 2434		1	T/M SYNCHRONIZER CONE (66-54T.)		0,450
03	15	T19036	970 262 3537		2	T/M SYNCHRONIZER INTERNAL CONE		
03	16	T45181	970 262 3134		2	T/M 3RD & 4TH SPEED SYNCHRONIZER RING		
03	17	T45597	970 260 2944		1	T/M 3RD & 4TH SPEED SYNCHRONIZER KIT		2,655
03	17-01	T19039	970 262 3937		2	T/M SYNCHRONIZER BLOCKING RING (66T.)		
03	17-02	T45183	970 262 2535		1	T/M 3RD & 4TH SPEED SYNCHRONIZER HUB		
03	17-03	T45168	970 262 0274		3	T/M SYNCHRONIZER PRESSURE PLUNGER		
03	17-04	T45210	970 993 6401		3	T/M SYNCHRONIZER COMPRESSION SPRING		
03	17-05	T45187	970 262 3423		1	T/M 3RD & 4TH SPEED SYNCHRONIZER SLIDING COLLAR	FROM GEARBOX 095538	
03	18	T49297	000471 078000		1	RETAINER RING (T.2,50) @		
03	18	T49298	970 994 1141		1	RETAINER RING (T.2,39) @		
03	19	T19035	970 262 2534		2	T/M SYNCHRONIZER CONE (66-44T.)		0,450
03	20	T45574	970 262 1213	694 262 0013	1	T/M 3RD SPEED GEAR (47T.)		3,920

[1] MUST BE COUPLE TOGETHER

[2] MUST BE COUPLE TOGETHER



CHART 3







G 85-6/6,7-0,73  
CHART 3: MAIN SHAFT

CH.	FIG.	TAS n°	OEM n°	NEW OEM N°	QT.Y	DESCRIPTION	NOTES	WEIGHT/Kg
03	21	T49240	018 981 5810	018 981 9610	2	NEEDLE BEARING (86,00X94,00X45,00)	UP TO GEARBOX 042297	
03	22	T45638	976 262 1205		1	T/M MAIN SHAFT	FROM GEARBOX 042298	13,290
03	22	T45646	976 262 1705		1	T/M MAIN SHAFT		13,320
03	23	T45584	970 262 1012	695 262 0012	1	T/M 2ND SPEED GEAR (45T.)		4,015
03	24	T45611	970 262 2334		1	T/M SYNCHRONIZER CONE (57T.)		0,560
03	24	T19032	975 262 0234		1	T/M SYNCHRONIZER CONE (57-58T.) (OLD TYPE)	OLD TYPE	0,600
03	25	T45170	970 262 3034		2	T/M 1ST & 2ND SPEED SYNCHRONIZER RING		
03	26	T45178	970 262 3437		2	T/M 1ST & 2ND SPEED SYNCHRONIZER RING		
03	27	T45595	970 260 2844		1	T/M 1ST & 2ND SPEED SYNCHRONIZER KIT		3,245
03	27-01	T19038	970 262 3837		2	T/M SYNCHRONIZER BLOCKING RING (72T.)		
03	27-02	T45218	970 262 2435		1	T/M 1ST & 2ND SPEED SYNCHRONIZER HUB		
03	27-03	T45168	970 262 0274		3	T/M SYNCHRONIZER PRESSURE PLUNGER		
03	27-04	T45210	970 993 6401		3	T/M SYNCHRONIZER COMPRESSION SPRING		
03	27-05	T45174	970 262 3323		1	T/M 1ST & 2ND SPEED SYNCHRONIZER SLIDING COLLAR		
03	28	T49297	000471 078000		1	RETAINER RING (T.2,50) @		
03	28	T49298	970 994 1141		1	RETAINER RING (T.2,39) @		
03	29	T49245	018 981 5310		1	NEEDLE BEARING (72,00X80,00X40,00)		
03	30	T45609	970 262 1734		1	T/M SYNCHRONIZER CONE		0,570
03	31	T45579	976 262 1411	695 262 0011	1	T/M 1ST SPEED GEAR (50T.)		6,195
03	31	T45579	970 262 0311		1	T/M 1ST SPEED GEAR (50T.)		6,195
03	32	T45600	970 262 0835		1	T/M REVERSE SPEED GEAR HUB (27T.)		0,595
03	33	T49299	970 262 0494		1	ELASTIC RING (T.2,00) @		
03	33	T49300	970 262 0394		1	ELASTIC RING (T.1,96) @		
03	33	T49301	970 262 0294		1	ELASTIC RING (T.1,92) @		
03	33	T49302	970 262 0194		1	ELASTIC RING (T.1,88) @	UP TO GEARBOX 042297	
03	34	T49303	018 981 5610		1	NEEDLE BEARING @	FROM GEARBOX 042298	
03	34	T49252	023 981 2910	019 981 5310	1	NEEDLE BEARING (63,00X71,00X50,80)		
03	35	T45599	970 262 0433		1	T/M REVERSE SPEED GEAR		
03	35	T49304	970 262 0533		1	REVERSE GEAR @		
03	36	T49305	970 262 0062		1	WASHER @		



IMAGES

CH. 3- FIG 14



T19033

CH. 3- FIG 19



T19035

CH. 3- FIG 24



T19032

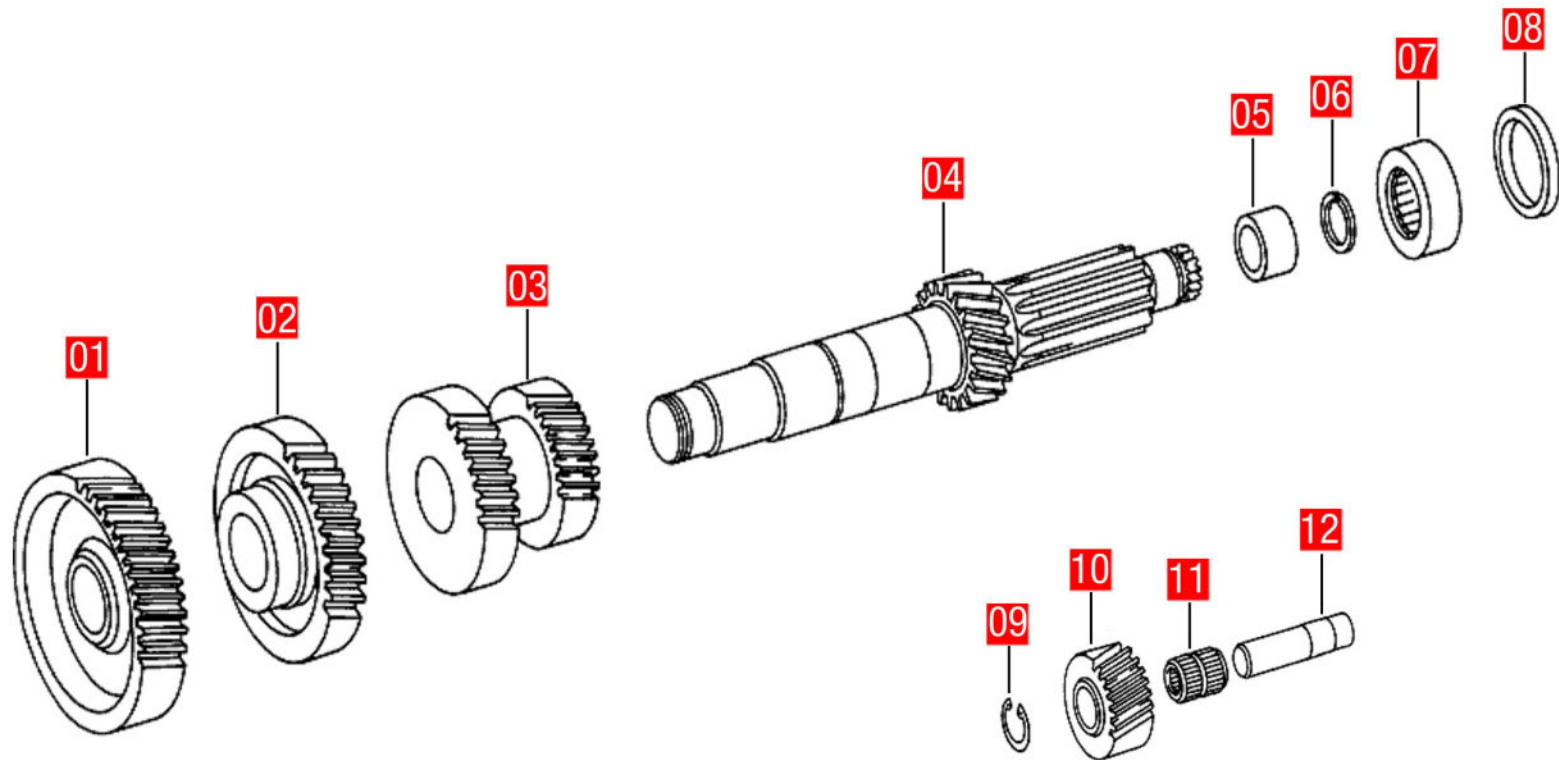


# TRACTOR AUTOMOBILE SPARES





CHART 4



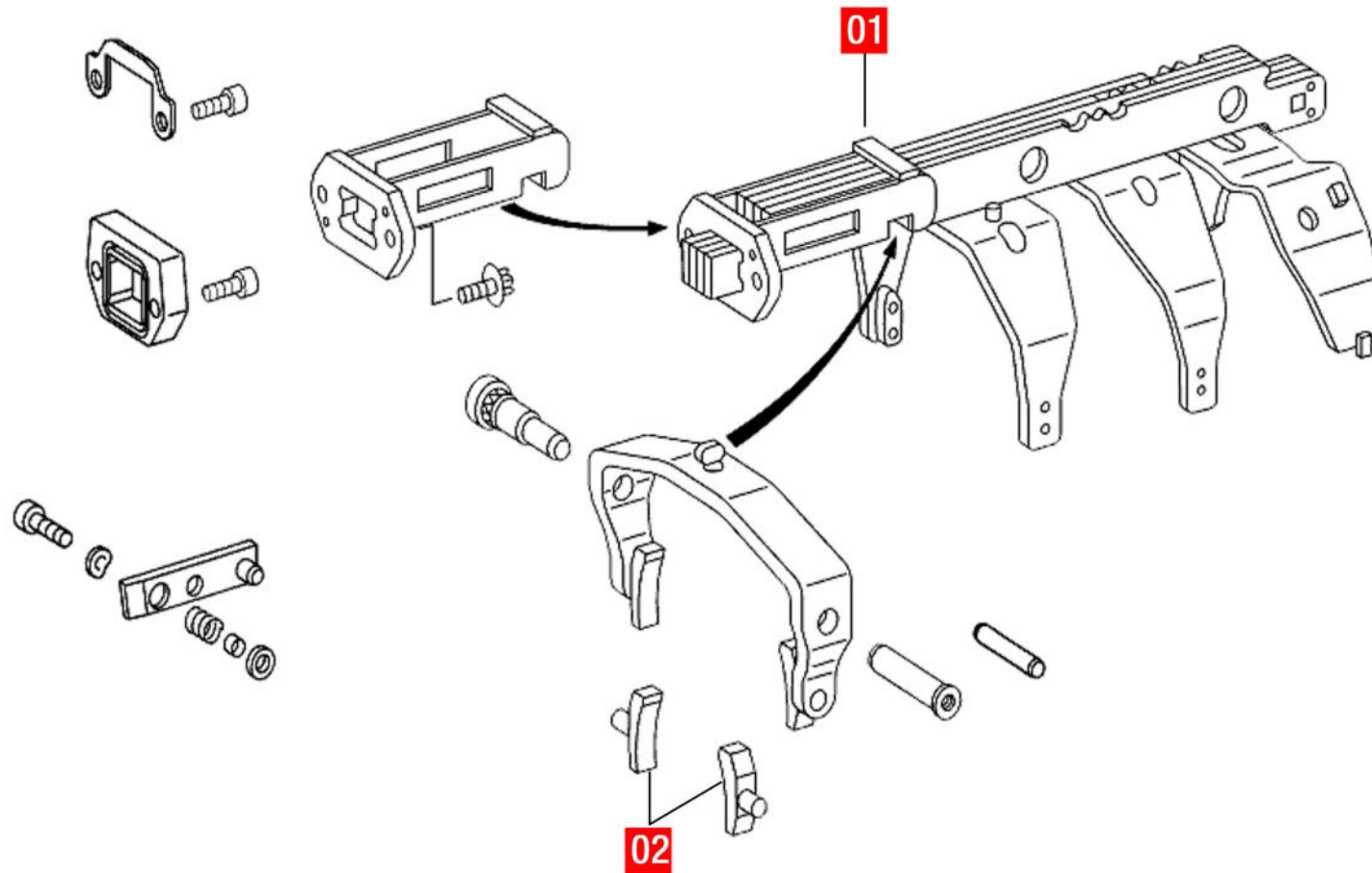


G 85-6/6,7-0,73  
CHART 4: CONTERSHAFT AND REVERSE GEAR

CH.	FIG.	TAS n°	OEM n°	NEW OEM N°	QT.Y	DESCRIPTION	NOTES	WEIGHT/Kg
04	01	T45654	976 263 1210	976 263 1110	1	T/M COUNTERSHAFT CONSTANT GEAR (45T.)		4,465
04	02	T45649	976 263 0216		1	T/M COUNTERSHAFT 6TH SPEED GEAR (53T.)		5,350
04	03	T45239	970 263 0713		1	T/M 3RD & 4TH SPEED COUNTERSHAFT DOUBLE GEAR (33T.-38 T.)		
04	04	T45618	970 263 0702		1	T/M COUNTERSHAFT (12T.-19T.)		8,610
04	05	T45623	970 981 0081		1	BUSH (47,5X37X26)		0,140
04	06	T49326	912009 037100		1	ELASTIC RING @		
04	07	T49258	010 981 4901	002 981 7512	1	CYLINDRICAL ROLLER BEARING (80,00X26,50)		
04	08	T49327	970 263 0050		1	WASHER @		
04	09	T49328	900055 032310		1	RETAINER RING @		
04	10	T45613	970 263 0331		1	T/M REVERSE SPEED GEAR (21T.)		1,635
04	11	T45570	018 981 5710		1	NEEDLE BEARING (32,00X40,00X49,20)		0,060
04	12	T49329	694 263 0030	970 263 0230	1	REVERSE PIN @		



CHART 5





G 85-6/6,7-0,73  
CHART 5: GEARSHIFT SYSTEM

CH.	FIG.	TAS n°	OEM n°	NEW OEM N°	QT.Y	DESCRIPTION	NOTES	WEIGHT/Kg
05	01	T46172	976 260 1331		1	SHIFTING ROD	UP TO GEARBOX 041837	
05	01	T46173	970 260 5931		1	SHIFTING ROD	FROM GEARBOX 041838	
05	01	T46174	976 260 1631		1	SHIFTING ROD	FROM GEARBOX 041838	
05	01	T46175	970 260 5131		1	SHIFTING ROD	FROM GEARBOX 041838	
05	02	T49332	947 265 0849	976 265 0049	2	SLIDING BLOCK @		

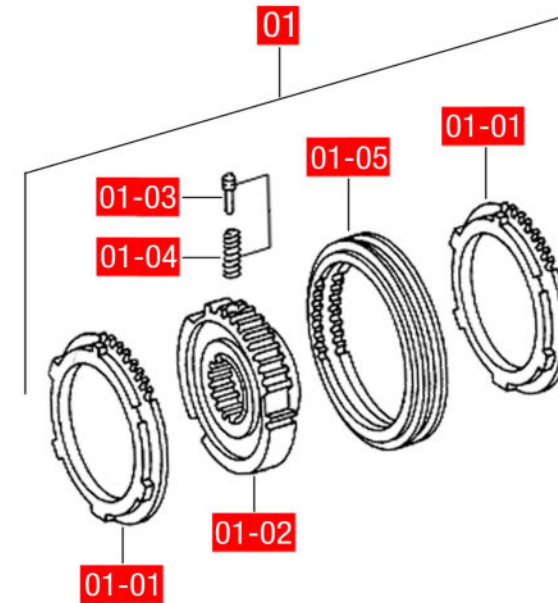


CHART 6

CH.	FIG.	TAS n°	OEM n°	Q.ty	DESCRIPTION
06	01-01	T19039	970 262 3937	2	T/M SYNCHRONIZER BLOCKING RING (66T.)
06	01-02	T45183	970 262 2535	1	T/M 3RD & 4TH SPEED SYNCHRONIZER HUB
06	01-03	T45168	970 262 0274	3	T/M SYNCHRONIZER PRESSURE PLUNGER
06	01-04	T45210	970 993 6401	3	T/M SYNCHRONIZER COMPRESSION SPRING
06	01-05	T45187	970 262 3423	1	T/M 3RD & 4TH SPEED SYNCHRONIZER SLIDING COLLAR

NOTE:  
SEE CHART 03 FIG.17

TAS n°	OEM n°	DESCRIPTION	WEIGHT/Kg
T45597	970 260 2944	T/M 3RD & 4TH SPEED SYNCHRONIZER KIT	2,655



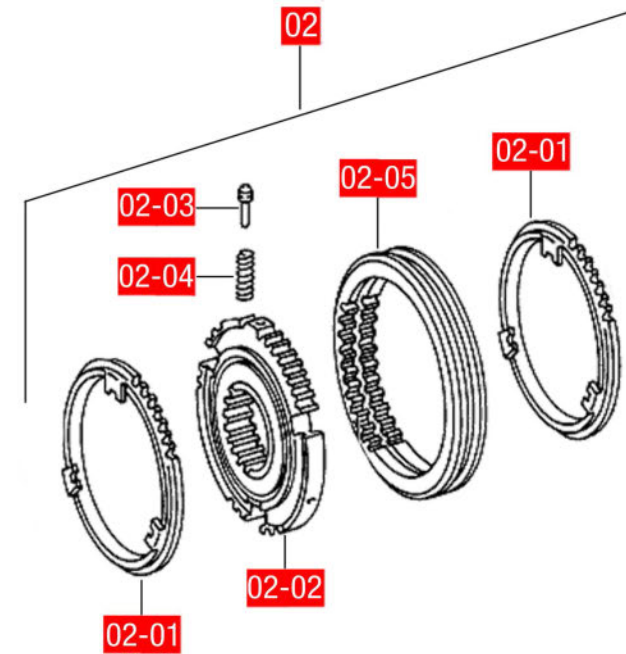




CH.	FIG.	TAS n°	OEM n°	Q.ty	DESCRIPTION
06	02-01	T19038	970 262 3837	2	T/M SYNCHRONIZER BLOCKING RING (72T.)
06	02-02	T45218	970 262 2435	1	T/M 1ST & 2ND SPEED SYNCHRONIZER HUB
06	02-03	T45168	970 262 0274	3	T/M SYNCHRONIZER PRESSURE PLUNGER
06	02-04	T45210	970 993 6401	3	T/M SYNCHRONIZER COMPRESSION SPRING
06	02-05	T45174	970 262 3323	1	T/M 1ST & 2ND SPEED SYNCHRONIZER SLIDING COLLAR

TAS n°	OEM n°	DESCRIPTION	WEIGHT/Kg
T45595	970 260 2844	T/M 1ST & 2ND SPEED SYNCHRONIZER KIT	3,245

NOTE:  
SEE CHART 03 FIG.27



# TABLE OF CONTENTS



# TRACTOR AUTOMOBILE SPARES





TAS n°	OEM n°	DESCRIPTION	PAG.	TAS n°	OEM n°	DESCRIPTION	PAG.
T19032	975 262 0234	T/M SYNCHRONIZER CONE (57-58T.) (OLD TYPE)	11	T45595	970 260 2844	T/M 1ST & 2ND SPEED SYNCHRONIZER KIT	11; 19
T19033	970 262 2434	T/M SYNCHRONIZER CONE (66-54T.)	09	T45597	970 260 2944	T/M 3RD & 4TH SPEED SYNCHRONIZER KIT	09; 18
T19035	970 262 2534	T/M SYNCHRONIZER CONE (66-44T.)	09	T45599	970 262 0433	T/M REVERSE SPEED GEAR	11
T19036	970 262 3537	T/M SYNCHRONIZER INTERNAL CONE	09	T45600	970 262 0835	T/M REVERSE SPEED GEAR HUB (27T.)	11
T19038	970 262 3837	T/M SYNCHRONIZER BLOCKING RING (72T.)	11; 19	T45604	970 262 1114	T/M 4TH SPEED GEAR (35T.)	09
T19039	970 262 3937	T/M SYNCHRONIZER BLOCKING RING (66T.)	09; 18	T45609	970 262 1734	T/M SYNCHRONIZER CONE	11
T22337	009 981 5725	BALL BEARING (45X100X25)	05	T45611	970 262 2334	T/M SYNCHRONIZER CONE (57T.)	11
T45168	970 262 0274	T/M SYNCHRONIZER PRESSURE PLUNGER	09; 11; 18; 19	T45613	970 263 0331	T/M REVERSE SPEED GEAR (21T.)	15
T45170	970 262 3034	T/M 1ST & 2ND SPEED SYNCHRONIZER RING	11	T45618	970 263 0702	T/M COUNTERSHAFT (12T.-19T.)	15
T45174	970 262 3323	T/M 1ST & 2ND SPEED SYNCHRONIZER SLIDING COLLAR	11; 19	T45623	970 981 0081	BUSH (47,5X37X26)	15
T45178	970 262 3437	T/M 1ST & 2ND SPEED SYNCHRONIZER RING	11	T45625	976 262 0502	T/M MAIN DRIVE GEAR (28T.)	05
T45181	970 262 3134	T/M 3RD & 4TH SPEED SYNCHRONIZER RING	09	T45627	976 262 0816	T/M 6TH SPEED GEAR (24T.)	09
T45183	970 262 2535	T/M 3RD & 4TH SPEED SYNCHRONIZER HUB	09; 18	T45633	976 262 0835	T/M SYNCHRONIZER HUB	09
T45187	970 262 3423	T/M 3RD & 4TH SPEED SYNCHRONIZER SLIDING COLLAR	09; 18	T45636	976 262 1016	T/M 6TH SPEED GEAR (24T.) (OLD TYPE)	09
T45192	970 262 3037	T/M 5TH & 6TH SPEED SYNCHRONIZER BLOCKING RING	09	T45638	976 262 1205	T/M MAIN SHAFT	11
T45196	970 262 1534	T/M 5TH & 6TH SPEED SYNCHRONIZER CONE	09	T45640	976 262 1402	T/M MAIN DRIVE GEAR (28T.)	05
T45200	970 262 2923	T/M 5TH & 6TH SPEED SYNCHRONIZER SLIDING COLLAR	09	T45644	976 262 1634	T/M SYNCHRONIZER CONE (60T.)	09
T45205	976 981 0012	NEEDLE BEARING	05	T45646	976 262 1705	T/M MAIN SHAFT	11
T45210	970 993 6401	T/M SYNCHRONIZER COMPRESSION SPRING	09; 11; 18; 19	T45649	976 263 0216	T/M COUNTERSHAFT 6TH SPEED GEAR (53T.)	15
T45215	970 261 0333	T/M GEARBOX FRONT COVER	05	T45654	976 263 1210	T/M COUNTERSHAFT CONSTANT GEAR (45T.)	15
T45218	970 262 2435	T/M 1ST & 2ND SPEED SYNCHRONIZER HUB	11; 19	T46172	976 260 1331	SHIFTING ROD	17
T45221	021 997 2547	T/M OIL SEAL RING (46,00X64,00X8,00)	05	T46173	970 260 5931	SHIFTING ROD	17
T45225	024 997 3247	T/M OIL SEAL RING	03	T46174	976 260 1631	SHIFTING ROD	17
T45231	976 262 0462	WASHER	09	T46175	970 260 5131	SHIFTING ROD	17
T45236	976 262 1702	T/M MAIN DRIVE GEAR (28 T.)	05	T49218	009 981 5825	BALL BEARING (55,00X120,00X29,00)	03; 05
T45239	970 263 0713	T/M 3RD & 4TH SPEED COUNTERSHAFT DOUBLE GEAR (33T.-38 T.)	15	T49227	018 981 3610	NEEDLE BEARING (50,00X56,00X43,70)	09
T45570	018 981 5710	NEEDLE BEARING (32,00X40,00X49,20)	15	T49233	017 981 5610	NEEDLE BEARING (72,00X80,00X29,80)	09
T45574	970 262 1213	T/M 3RD SPEED GEAR (47T.)	09	T49240	018 981 5810	NEEDLE BEARING (86,00X94,00X45,00)	11
T45579	976 262 1411	T/M 1ST SPEED GEAR (50T.)	11	T49245	018 981 5310	NEEDLE BEARING (72,00X80,00X40,00)	11
T45579	970 262 0311	T/M 1ST SPEED GEAR (50T.)	11	T49252	023 981 2910	NEEDLE BEARING (63,00X71,00X50,80)	11
T45584	970 262 1012	T/M 2ND SPEED GEAR (45T.)	11	T49258	010 981 4901	CYLINDRICAL ROLLER BEARING (80,00X26,50)	15
T45590	695 262 0034	T/M SYNCHRONIZER CONE (OLD TYPE)	09	T49268	970 263 0093	SNAP RING @	05
T45593	695 262 0035	T/M SYNCHRONIZER HUB (OLD TYPE)	09	T49269	970 994 1941	SNAP RING (T.2,91) @	05



TAS n°	OEM n°	DESCRIPTION	PAG.	TAS n°	OEM n°	DESCRIPTION	PAG.
T49270	900055 045300	LOCK RING (T.2,50) @	05	T49303	018 981 5610	NEEDLE BEARING @	11
T49271	970 994 2641	LOCK RING (T.2,40) @	05	T49304	970 262 0533	REVERSE GEAR @	11
T49272	970 994 2441	LOCK RING (T.2,30) @	05	T49305	970 262 0062	WASHER @	11
T49273	970 994 2241	LOCK RING (T.2,20) @	05	T49306	970 994 3641	RETAINER RING (T.4,00) @	03
T49274	970 994 4341	LOCK RING (T.2,10) @	05	T49307	970 994 3041	RETAINER RING (T.3,90) @	03
T49275	970 261 0801	GEARBOX HOUSING @	05	T49308	007603 024105	RING @	03
T49276	976 261 2601	GEARBOX HOUSING @	05	T49309	210 997 0032	PLUG @	03
T49277	970 994 3341	SNAP RING (T.2,96) @	05	T49310	910143 010000	SCREW @	03
T49278	970 994 0841	SNAP RING (T.2,88) @	05	T49311	304017 010051	SCREW @	03
T49279	970 994 0641	SNAP RING (T.2,80) @	05	T49312	000908 020001	PLUG @	03
T49280	970 994 4141	RETAINER RING (T.4,00) @	05	T49313	210 997 0132	PLUG @	03
T49281	970 994 3941	RETAINER RING (T.3,90) @	05	T49314	970 261 0380	GASKET @	03
T49282	976 262 2302	MAIN DRIVE GEAR @	05	T49315	970 261 0133	COVER @	03
T49283	970 262 2052	WASHER (T.4,80) @	05	T49316	000433 013010	WASHER @	03
T49284	970 262 1952	WASHER (T.4,70) @	05	T49317	910105 010006	SCREW @	03
T49285	970 262 1852	WASHER (T.4,60) @	05	T49318	970 263 0350	WASHER @	03
T49286	970 262 1752	WASHER (T.4,50) @	05	T49319	970 262 0128	DISK @	03
T49287	970 262 1652	WASHER (T.4,40) @	05	T49320	970 262 1045	FLANGE @	03
T49288	970 262 1552	WASHER (T.4,30) @	05	T49321	970 262 1345	FLANGE @	03
T49289	970 262 1452	WASHER (T.4,20) @	05	T49322	976 262 0845	FLANGE @	03
T49290	970 262 1352	WASHER (T.4,10) @	05	T49323	970 262 1145	FLANGE @	03
T49291	970 262 1252	WASHER (T.4,00) @	05	T49324	383 282 0262	WASHER @	03
T49292	970 262 1152	WASHER (T.3,90) @	05	T49325	910105 016005	SCREW @	03
T49293	976 262 1094	ELASTIC RING (T.2,10) @	09	T49326	912009 037100	ELASTIC RING @	15
T49294	976 262 1194	ELASTIC RING (T.2,06) @	09	T49327	970 263 0050	WASHER @	15
T49295	976 262 1294	ELASTIC RING (T.2,02) @	09	T49328	900055 032310	RETAINER RING @	15
T49296	976 262 0062	WASHER @	09	T49329	694 263 0030	REVERSE PIN @	15
T49297	000471 078000	RETAINER RING (T.2,50) @	09; 11	T49331	970 260 1554	PIN WITH BALL @	03
T49298	970 994 1141	RETAINER RING (T.2,39) @	09; 11	T49332	947 265 0849	SLIDING BLOCK @	17
T49299	970 262 0494	ELASTIC RING (T.2,00) @	11				
T49300	970 262 0394	ELASTIC RING (T.1,96) @	11				
T49301	970 262 0294	ELASTIC RING (T.1,92) @	11				
T49302	970 262 0194	ELASTIC RING (T.1,88) @	11				



OEM n°	TAS n°	DESCRIPTION	PAG.	OEM n°	TAS n°	DESCRIPTION	PAG.
000433 013010	T49316	WASHER @	03	970 260 5131	T46175	SHIFTING ROD	17
000471 078000	T49297	RETAINER RING (T.2,50) @	09; 11	970 260 5931	T46173	SHIFTING ROD	17
000908 020001	T49312	PLUG @	03	970 261 0133	T49315	COVER @	03
007603 024105	T49308	RING @	03	970 261 0333	T45215	T/M GEARBOX FRONT COVER	05
009 981 5725	T22337	BALL BEARING (45X100X25)	05	970 261 0380	T49314	GASKET @	03
009 981 5825	T49218	BALL BEARING (55,00X120,00X29,00)	03; 05	970 261 0801	T49275	GEARBOX HOUSING @	05
010 981 4901	T49258	CYLINDRICAL ROLLER BEARING (80,00X26,50)	15	970 262 0062	T49305	WASHER @	11
017 981 5610	T49233	NEEDLE BEARING (72,00X80,00X29,80)	09	970 262 0128	T49319	DISK @	03
018 981 3610	T49227	NEEDLE BEARING (50,00X56,00X43,70)	09	970 262 0194	T49302	ELASTIC RING (T.1,88) @	11
018 981 5310	T49245	NEEDLE BEARING (72,00X80,00X40,00)	11	970 262 0274	T45168	T/M SYNCHRONIZER PRESSURE PLUNGER	09; 11; 18; 19
018 981 5610	T49303	NEEDLE BEARING @	11	970 262 0294	T49301	ELASTIC RING (T.1,92) @	11
018 981 5710	T45570	NEEDLE BEARING (32,00X40,00X49,20)	15	970 262 0311	T45579	T/M 1ST SPEED GEAR (50T.)	11
018 981 5810	T49240	NEEDLE BEARING (86,00X94,00X45,00)	11	970 262 0394	T49300	ELASTIC RING (T.1,96) @	11
021 997 2547	T45221	T/M OIL SEAL RING (46,00X64,00X8,00)	05	970 262 0433	T45599	T/M REVERSE SPEED GEAR	11
023 981 2910	T49252	NEEDLE BEARING (63,00X71,00X50,80)	11	970 262 0494	T49299	ELASTIC RING (T.2,00) @	11
024 997 3247	T45225	T/M OIL SEAL RING	03	970 262 0533	T49304	REVERSE GEAR @	11
210 997 0032	T49309	PLUG @	03	970 262 0835	T45600	T/M REVERSE SPEED GEAR HUB (27T.)	11
210 997 0132	T49313	PLUG @	03	970 262 1012	T45584	T/M 2ND SPEED GEAR (45T.)	11
304017 010051	T49311	SCREW @	03	970 262 1045	T49320	FLANGE @	03
383 282 0262	T49324	WASHER @	03	970 262 1114	T45604	T/M 4TH SPEED GEAR (35T.)	09
694 263 0030	T49329	REVERSE PIN @	15	970 262 1145	T49323	FLANGE @	03
695 262 0034	T45590	T/M SYNCHRONIZER CONE (OLD TYPE)	09	970 262 1152	T49292	WASHER (T.3,90) @	05
695 262 0035	T45593	T/M SYNCHRONIZER HUB (OLD TYPE)	09	970 262 1213	T45574	T/M 3RD SPEED GEAR (47T.)	09
900055 032310	T49328	RETAINER RING @	15	970 262 1252	T49291	WASHER (T.4,00) @	05
900055 045300	T49270	LOCK RING (T.2,50) @	05	970 262 1345	T49321	FLANGE @	03
910105 010006	T49317	SCREW @	03	970 262 1352	T49290	WASHER (T.4,10) @	05
910105 016005	T49325	SCREW @	03	970 262 1452	T49289	WASHER (T.4,20) @	05
910143 010000	T49310	SCREW @	03	970 262 1534	T45196	T/M 5TH & 6TH SPEED SYNCHRONIZER CONE	09
912009 037100	T49326	ELASTIC RING @	15	970 262 1552	T49288	WASHER (T.4,30) @	05
947 265 0849	T49332	SLIDING BLOCK @	17	970 262 1652	T49287	WASHER (T.4,40) @	05
970 260 1554	T49331	PIN WITH BALL @	03	970 262 1734	T45609	T/M SYNCHRONIZER CONE	11
970 260 2844	T45595	T/M 1ST & 2ND SPEED SYNCHRONIZER KIT	11; 19	970 262 1752	T49286	WASHER (T.4,50) @	05
970 260 2944	T45597	T/M 3RD & 4TH SPEED SYNCHRONIZER KIT	09; 18	970 262 1852	T49285	WASHER (T.4,60) @	05



OEM n°	TAS n°	DESCRIPTION	PAG.	OEM n°	TAS n°	DESCRIPTION	PAG.
970 262 1952	T49284	WASHER (T.4,70) @	05	970 994 3341	T49277	SNAP RING (T.2,96) @	05
970 262 2052	T49283	WASHER (T.4,80) @	05	970 994 3641	T49306	RETAINER RING (T.4,00) @	03
970 262 2334	T45611	T/M SYNCHRONIZER CONE (57T.)	11	970 994 3941	T49281	RETAINER RING (T.3,90) @	05
970 262 2434	T19033	T/M SYNCHRONIZER CONE (66-54T.)	09	970 994 4141	T49280	RETAINER RING (T.4,00) @	05
970 262 2435	T45218	T/M 1ST & 2ND SPEED SYNCHRONIZER HUB	11; 19	970 994 4341	T49274	LOCK RING (T.2,10) @	05
970 262 2534	T19035	T/M SYNCHRONIZER CONE (66-44T.)	09	975 262 0234	T19032	T/M SYNCHRONIZER CONE (57-58T.) (OLD TYPE)	11
970 262 2535	T45183	T/M 3RD & 4TH SPEED SYNCHRONIZER HUB	09; 18	976 260 1331	T46172	SHIFTING ROD	17
970 262 2923	T45200	T/M 5TH & 6TH SPEED SYNCHRONIZER SLIDING COLLAR	09	976 260 1631	T46174	SHIFTING ROD	17
970 262 3034	T45170	T/M 1ST & 2ND SPEED SYNCHRONIZER RING	11	976 261 2601	T49276	GEARBOX HOUSING @	05
970 262 3037	T45192	T/M 5TH & 6TH SPEED SYNCHRONIZER BLOCKING RING	09	976 262 0062	T49296	WASHER @	09
970 262 3134	T45181	T/M 3RD & 4TH SPEED SYNCHRONIZER RING	09	976 262 0462	T45231	WASHER	09
970 262 3323	T45174	T/M 1ST & 2ND SPEED SYNCHRONIZER SLIDING COLLAR	11; 19	976 262 0502	T45625	T/M MAIN DRIVE GEAR (28T.)	05
970 262 3423	T45187	T/M 3RD & 4TH SPEED SYNCHRONIZER SLIDING COLLAR	09; 18	976 262 0816	T45627	T/M 6TH SPEED GEAR (24T.)	09
970 262 3437	T45178	T/M 1ST & 2ND SPEED SYNCHRONIZER RING	11	976 262 0835	T45633	T/M SYNCHRONIZER HUB	09
970 262 3537	T19036	T/M SYNCHRONIZER INTERNAL CONE	09	976 262 0845	T49322	FLANGE @	03
970 262 3837	T19038	T/M SYNCHRONIZER BLOCKING RING (72T.)	11; 19	976 262 1016	T45636	T/M 6TH SPEED GEAR (24T.) (OLD TYPE)	09
970 262 3937	T19039	T/M SYNCHRONIZER BLOCKING RING (66T.)	09; 18	976 262 1094	T49293	ELASTIC RING (T.2,10) @	09
970 263 0050	T49327	WASHER @	15	976 262 1194	T49294	ELASTIC RING (T.2,06) @	09
970 263 0093	T49268	SNAP RING @	05	976 262 1205	T45638	T/M MAIN SHAFT	11
970 263 0331	T45613	T/M REVERSE SPEED GEAR (21T.)	15	976 262 1294	T49295	ELASTIC RING (T.2,02) @	09
970 263 0350	T49318	WASHER @	03	976 262 1402	T45640	T/M MAIN DRIVE GEAR (28T.)	05
970 263 0702	T45618	T/M COUNTERSHAFT (12T.-19T.)	15	976 262 1411	T45579	T/M 1ST SPEED GEAR (50T.)	11
970 263 0713	T45239	T/M 3RD & 4TH SPEED COUNTERSHAFT DOUBLE GEAR (33T.-38 T.)	15	976 262 1634	T45644	T/M SYNCHRONIZER CONE (60T.)	09
970 981 0081	T45623	BUSH (47,5X37X26)	15	976 262 1702	T45236	T/M MAIN DRIVE GEAR (28 T.)	05
970 993 6401	T45210	T/M SYNCHRONIZER COMPRESSION SPRING	09; 11; 18; 19	976 262 1705	T45646	T/M MAIN SHAFT	11
970 994 0641	T49279	SNAP RING (T.2,80) @	05	976 262 2302	T49282	MAIN DRIVE GEAR @	05
970 994 0841	T49278	SNAP RING (T.2,88) @	05	976 263 0216	T45649	T/M COUNTERSHAFT 6TH SPEED GEAR (53T.)	15
970 994 1141	T49298	RETAINER RING (T.2,39) @	09; 11	976 263 1210	T45654	T/M COUNTERSHAFT CONSTANT GEAR (45T.)	15
970 994 1941	T49269	SNAP RING (T.2,91) @	05	976 981 0012	T45205	NEEDLE BEARING	05
970 994 2241	T49273	LOCK RING (T.2,20) @	05				
970 994 2441	T49272	LOCK RING (T.2,30) @	05				
970 994 2641	T49271	LOCK RING (T.2,40) @	05				
970 994 3041	T49307	RETAINER RING (T.3,90) @	03				



TRACTOR AUTOMOBILE SPARES

**Head Office:**

Via Argine, 306 - 80147 Napoli

Tel.: +39 081 7520645

Fax: +39 081 7529475

[web@tas-spa.com](mailto:web@tas-spa.com)

[www.tas-spa.com](http://www.tas-spa.com)



[facebook.com/Tas.Spa.TractorAutomobileSpares](https://www.facebook.com/Tas.Spa.TractorAutomobileSpares)