

GRS 900 - GRSH 900 - GRS 900 Opt. - GRS 900R - GRSH 900R - GRS 900R Opt.



TRACTOR AUTOMOBILE SPARES

SCANIA®





TRACTOR AUTOMOBILE SPARES
A WORLD OF QUALITY PARTS

T.A.S. is specialised in the manufacture and sale of **replacement spare parts**, such as bull gears, crown wheel and pinion sets (with straight or helical teeth), synchroniser assemblies with molybdenum or carbon coating, shafts, main drive gears and other components, suitable for **transmissions and differentials of light-duty vehicles, trucks, buses, agricultural tractors and earthmoving machinery.**

These items are heat-treated where required and may be subjected to special processes, such as Shot-Peening, Sulf BT and corrosion proofing.

T.A.S. products are **totally interchangeable** with the genuine parts, as they are made to the same high quality standards, utilising modern technology and thanks to the continual specialisation of its staff. The **'MADE IN ITALY'** nature of the parts has been maintained with notable efforts.

Thanks to its sales network, T.A.S. products are **distributed and appreciated throughout the five continents** and the customers enjoy continuous support, both from **local agents** and from **mother-tongue commercial staff** at the company headquarters.



Strong Corporate identity
conveyed in a professionally
developed communication system.



MADE IN ITALY





TAS BRANCH
ARGELATO (BO)



TAS HEAD OFFICE AND WAREHOUSES
NAPOLI



Tri-Wall
corrugated
cardboard
box



Opening a TAS pack, you'll be astonished
by its **explosive** content.

Hardwood pallet compliant
with IPPC ISPM 15





Our packaging is designed to ensure the **originality** and **integrity** of the product.

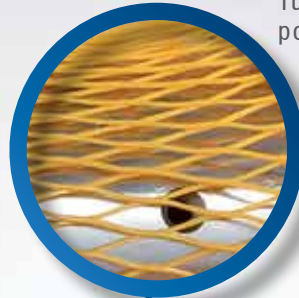
Use your mobile phone to read the QR code that you find on the label.



You'll be directed to additional information on the TAS website.



Tubular protective polyethylene nets

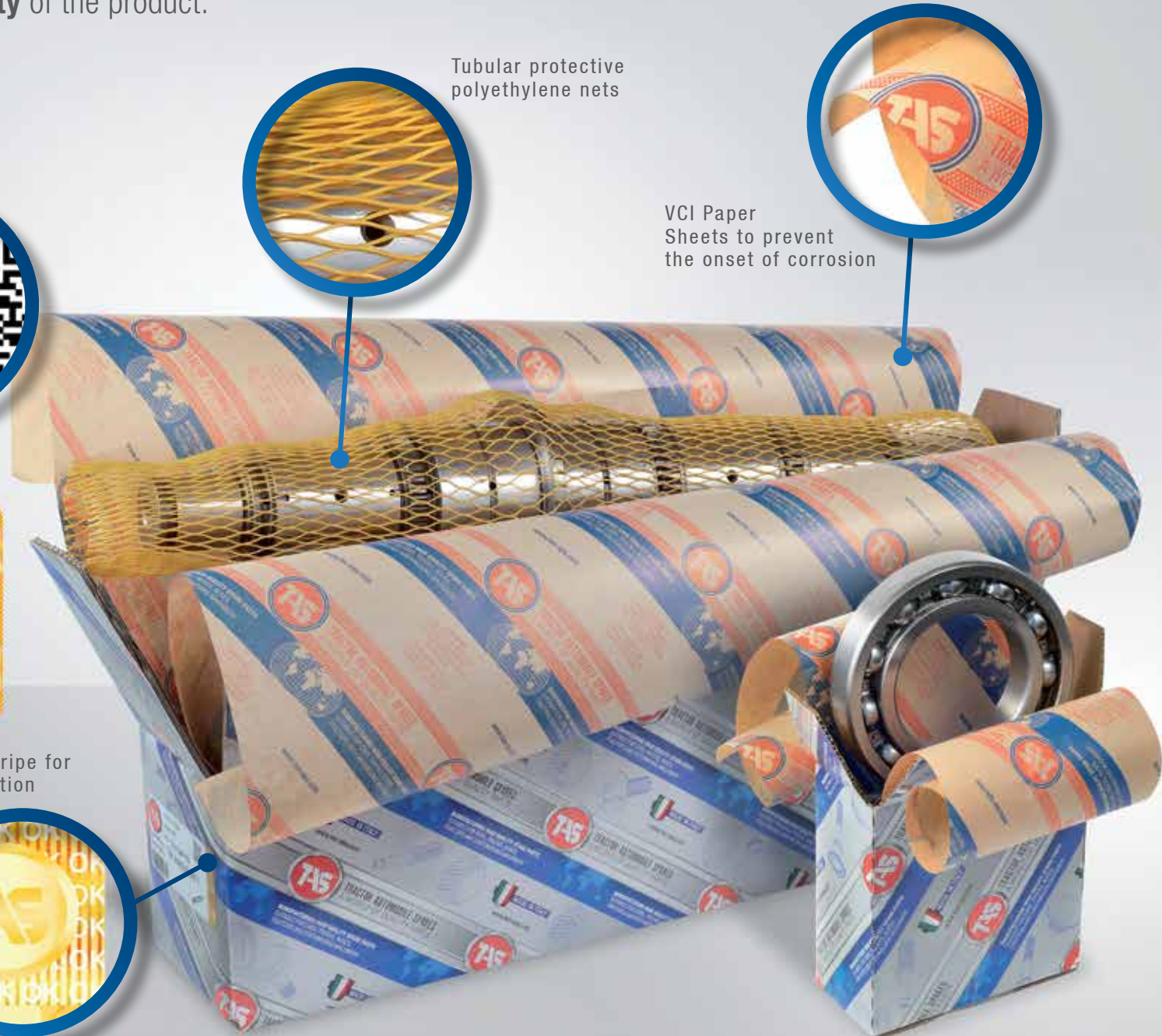


VCI Paper Sheets to prevent the onset of corrosion



High-security OVD stripe for a reliable authentication of the product

SECURITY FOIL
Moving DynaKey
up and down
"OK" is readable.





LEGEND - how to read this catalogue

CHART NUMBER (points to CH. 01)

TAS REFERENCE NUMBER (points to T21867)

QUANTITY PER GEARBOX OR DIFFERENTIAL (points to QTY. 1)

DESCRIPTION OF ITEMS (points to T/M GASKET)

NOTES (points to INCLUDED IN 1315 298 001 GASKET KIT)

WEIGHT IN KILOGRAMS (points to WEIGHT/Kg 0,000)

FIGURE NUMBER (points to FIG. 01)

ORIGINAL MANUFACTURER'S PART NUMBER (points to DEM no. 1315 301 2...)

REFERENCE TO THE CHART AND FIGURE (points to CH. 1 - FIG. 01)

IMAGES (points to the image grid)

TAS REFERENCE NUMBER (points to T17608)

KIT COMPONENTS IN RED BOX (points to the red-bordered image grid)

CH. 01

TAS no. T21867

QTY. 1

T/M GASKET

NOTES

WEIGHT/Kg 0,000

FIG. 01

DEM no. 1315 301 2...

CH. 1 - FIG. 01

IMAGES

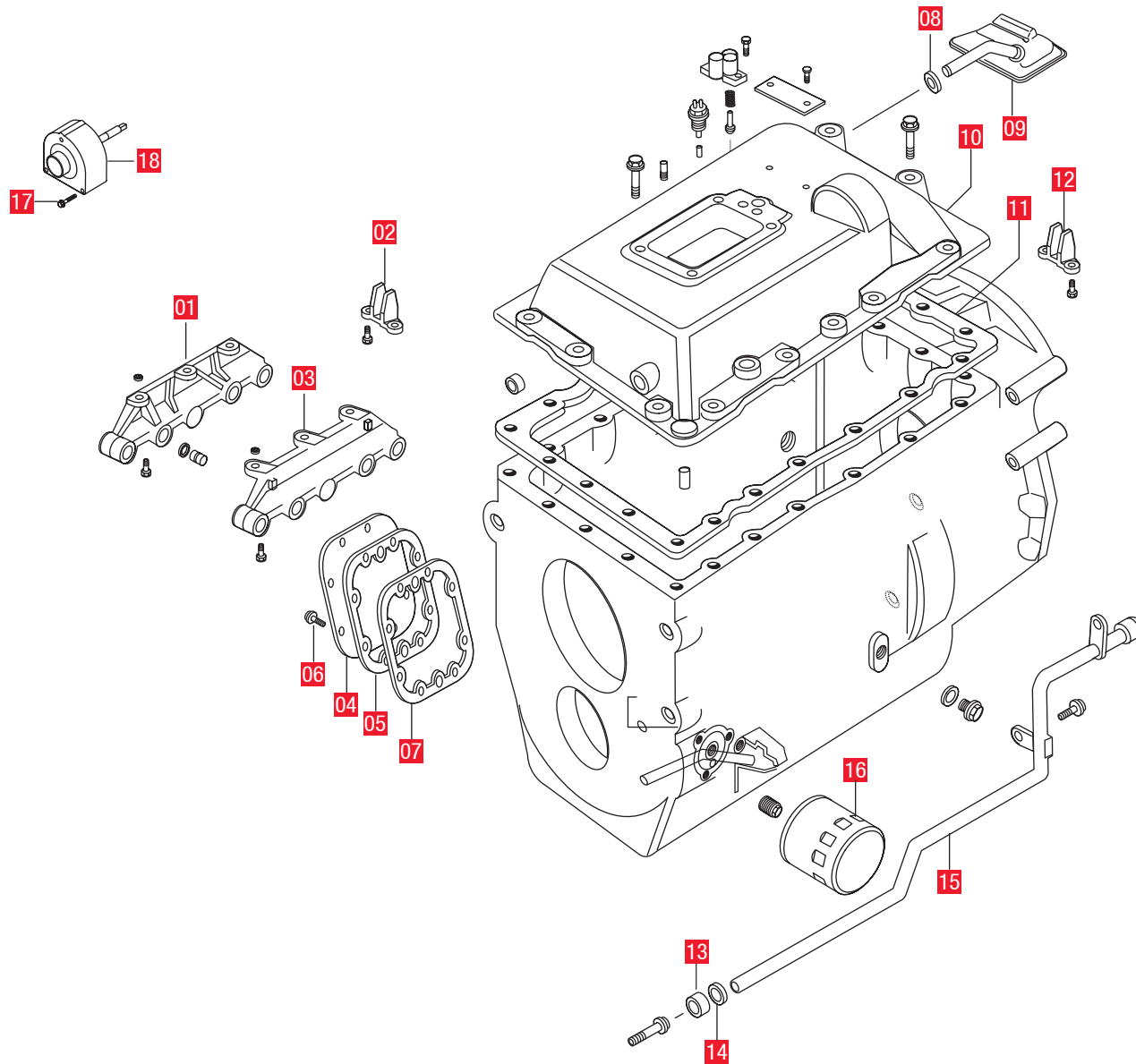
TAS REFERENCE NUMBER

KIT COMPONENTS IN RED BOX



GRS 900 - GRSH 900 - GRS 900 Opt. - GRS 900R - GRSH 900R - GRS 900R Opt.
CHART 1: GEARBOX HOUSING

CHART 1



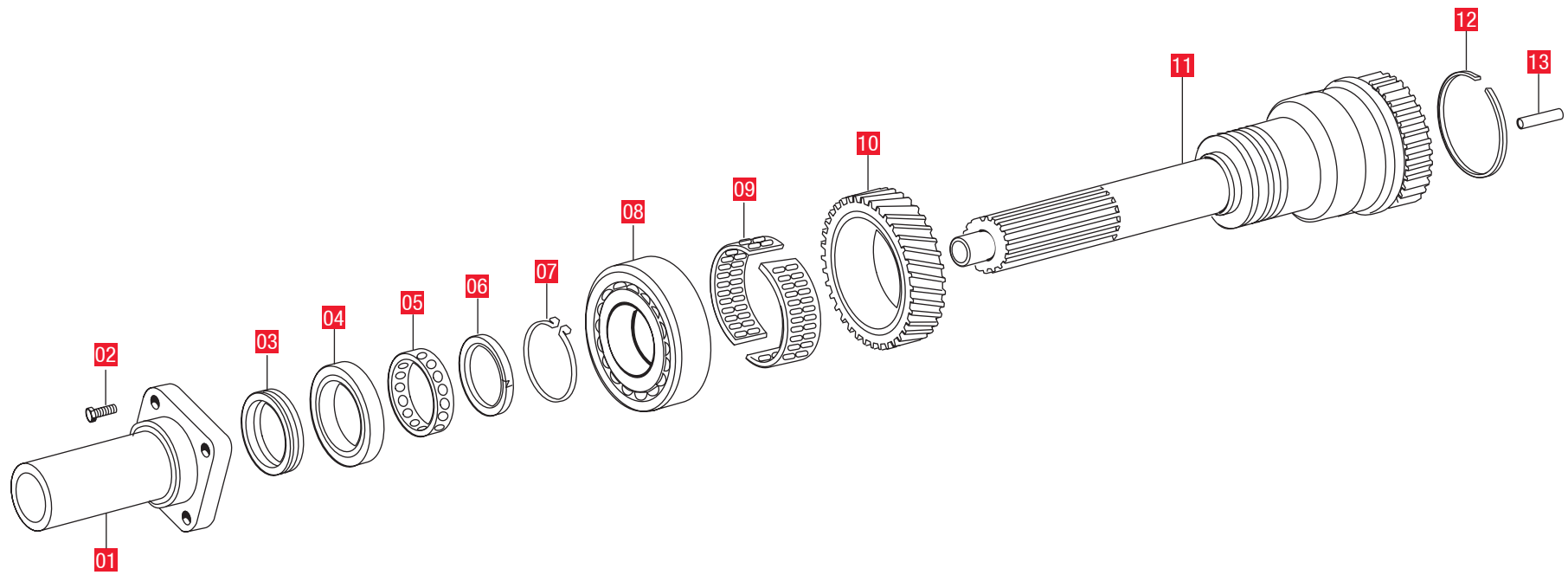


GRS 900 - GRSH 900 - GRS 900 Opt. - GRS 900R - GRSH 900R - GRS 900R Opt.
 CHART 1: GEARBOX HOUSING

CH.	FIG.	TAS n°	OEM n°	Q.ty	DESCRIPTION	NOTES	WEIGHT/Kg	GRS 900	GRSH 900	GRS 900 Opt	GRS 900R	GRSH 900R	GRS 900R Opt.
01	01	T46333	1326251	1	SUPPORT @			X	X	X	X	X	X
01	02	T46334	1122671	1	SUPPORT @			X	X	X	X	X	X
01	03	T46335	1326252	1	SUPPORT @			X	X	X	X	X	X
01	04	T46336	1321629	1	COVER @			X	X	X	X	X	X
01	05	T46337	1302556	1	GASKET @			X	X	X	X	X	X
01	06	T46338	812534	8	SCREW @			X	X	X	X	X	X
01	07	T46339	1305673	1	GASKET @			X	X	X	X	X	X
01	08	T46340	804660	1	O-RING @			X	X	X	X	X	X
01	09	T46341	1307097	1	OIL FILTER @			X	X	X	X	X	X
01	10	T46342	1334033	1	COVER @			X	X	X	X	X	X
01	11	T46343	1527743	1	GASKET @			X	X	X	X	X	X
01	12	T46344	1334194	1	SUPPORT @			X	X	X	X	X	X
01	13	T46345	1110341	1	BUSH @			X	X	X	X	X	X
01	14	T46346	810958	1	O-RING @			X	X	X	X	X	X
01	15	T46347	1392600	1	OIL TUBE @			X	X	X	X	X	X
01	16	T46348	1768402	1	OIL FILTER @			X	X	X	X	X	X
01	17	T46349	812509	3	SCREW @			X	X	X	X	X	X
01	18	T46350	1426449	1	OIL PUMP @			X	X	X	X	X	X
01	-	T38407	550577	1	T/M GASKETS AND SEALS KIT		0,223	X	X	X	X	X	X



CHART 2





CH.	FIG.	TAS no.	OEM no.	Q.ty	DESCRIPTION	NOTES	WEIGHT/Kg	GRS 900	GRSH 900	GRS 900 Opt	GRS 900R	GRSH 900R	GRS 900R Opt.
02	01	T46351	1103934	1	COVER @			X	X	X	X	X	X
02	02	T46352	812516	4	SCREW @			X	X	X	X	X	X
02	03	T46353	378613	1	RING @			X	X	X	X	X	X
02	04	T39291	1318388	1	SEAL RING 55X75X9 MM		0,031	X	X	X	X	X	X
02	05	T46354	1114315	1	SPACER @			X	X	X	X	X	X
02	06	T46355	1515004	2	ELASTIC RING @			X	X	X	X	X	X
02	07	T46356	1113900	1	RETAINER RING @			X	X	X	X	X	X
02	07	T46357	1113901	1	RETAINER RING @			X	X	X	X	X	X
02	07	T46358	1113902	1	RETAINER RING @			X	X	X	X	X	X
02	07	T46359	1113903	1	RETAINER RING @			X	X	X	X	X	X
02	07	T46360	1113904	1	RETAINER RING @			X	X	X	X	X	X
02	07	T46361	1113905	1	RETAINER RING @			X	X	X	X	X	X
02	07	T46362	1113906	1	RETAINER RING @			X	X	X	X	X	X
02	08	T37657	1327878	1	TAPERED ROLLER BEARING (65X150X38)		3,140	X	X	X	X	X	X
02	09	T46363	372778	1	NEEDLE BEARING @			X	X	X	X	X	X
02	10	T46364	1399190	1	CONSTANT GEAR (29 T.) @			X	X	X	X	X	X
02	11	T38245	1377307	1	T/M MAIN DRIVE GEAR		6,880	X	X	X	X	X	X
02	11	T38246	1378579	1	T/M MAIN DRIVE GEAR		6,890	X	X	X	X	X	X
02	12	T46365	1327647	1	RETAINER RING @			X	X	X	X	X	X
02	12	T46366	1327648	1	RETAINER RING @			X	X	X	X	X	X
02	12	T46367	1327649	1	RETAINER RING @			X	X	X	X	X	X
02	13	T46368	315060	1	OIL TUBE @			X	X	X	X	X	X

CH. 2 - FIG. 08



T37657

CH. 2 - FIG. 11



T38245

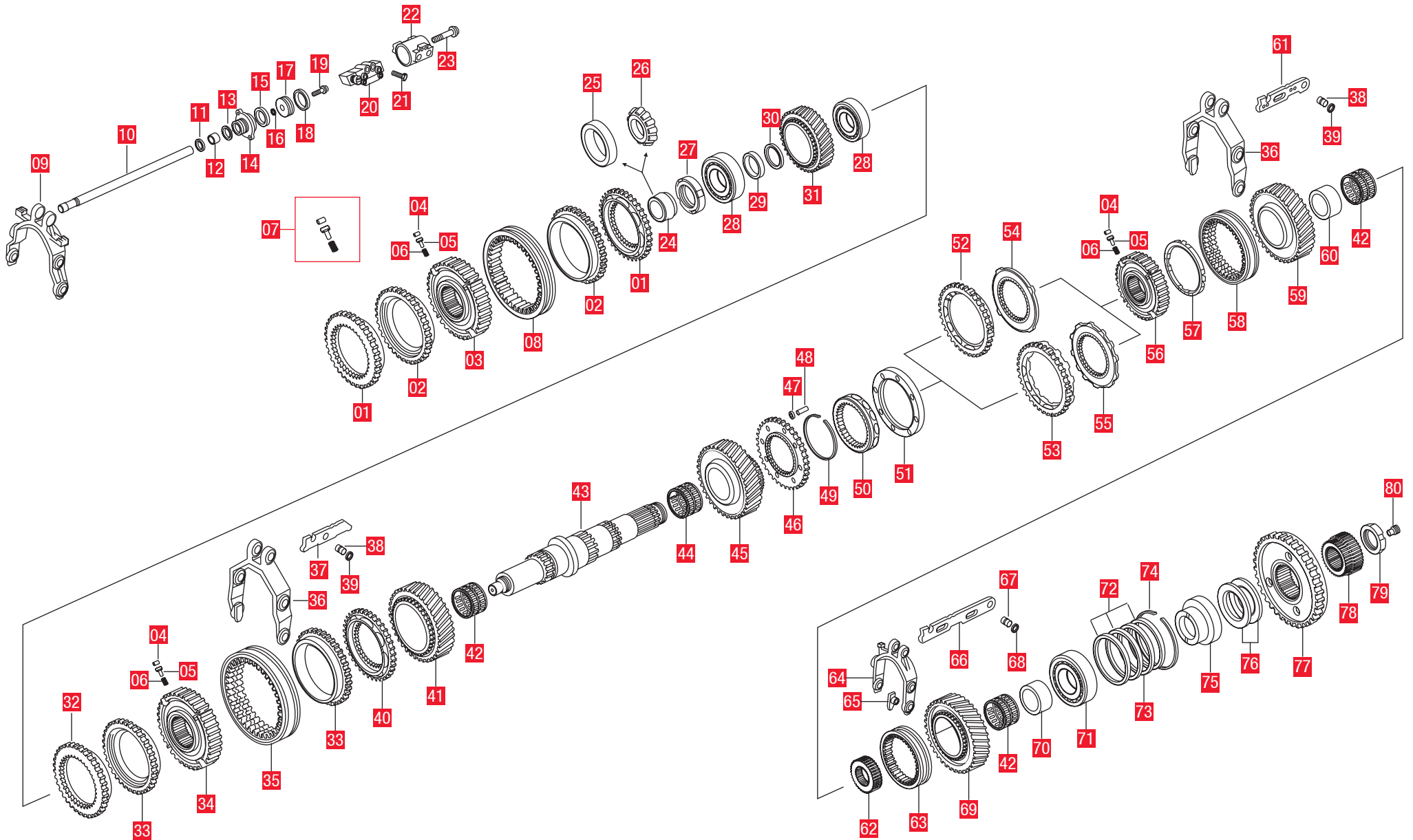
CH. 2 - FIG. 11



T38246



CHART 3





GRS 900 - GRSH 900 - GRS 900 Opt. - GRS 900R - GRSH 900R - GRS 900R Opt.
 CHART 3: MAIN SHAFT

CH.	FIG.	TAS no.	OEM no.	Q.ty	DESCRIPTION	NOTES	WEIGHT/Kg	GRS 900	GRSH 900	GRS 900 Opt	GRS 900R	GRSH 900R	GRS 900R Opt.
03	01	T38214	1116475	2	T/M SYNCHRONIZER CONE		1,500	X	X	X	X	X	X
03	02	T38231	1756447	2	T/M SYNCHRONIZER RING		0,440	X	X	X	X	X	X
03	03	T38218	1376499	1	T/M SYNCHRONIZER HUB		1,674	X	X	X	X	X	X
03	04	T38208	374334	4	T/M CYLINDRICAL PRESSURE PIECE		0,005	X	X	X	X	X	X
03	05	T46369	369910	4	SHIFT STOP @			X	X	X	X	X	X
03	06	T46370	369911	4	SPRING @			X	X	X	X	X	X
03	07			1	REPAIR KIT @			X	X	X	X	X	X
03	08	T38207	369906	1	T/M SLIDING SLEEVE		0,000	X	X	X	X	X	X
03	08	T38205	1529939	1	T/M SLIDING SLEEVE		1,000	X	X	X	X	X	X
03	09	T46371	1335671	1	FORK @			X	X	X	X	X	X
03	10	T46372	1335174	1	TIE ROD @			X	X	X	X	X	X
03	11	T46373	1515870	1	RING @			X	X	X	X	X	X
03	12	T46374	1318761	1	BUSH @			X	X	X	X	X	X
03	13	T46375	1472144	1	O-RING @			X	X	X	X	X	X
03	14	T46376	1305977	1	INTERMEDIATE PIECE @			X	X	X	X	X	X
03	15	T46377	804710	1	O-RING @			X		X			X
03	15	T46378	1472718	1	O-RING @				X			X	
03	16	T46379	804658	1	O-RING @			X		X	X		X
03	16	T46380	397920	1	O-RING @				X			X	
03	17	T46381	1337894	1	PISTON @			X	X	X	X	X	X
03	18	T46382	804672	1	O-RING @			X		X	X		X
03	18	T46383	390546	1	O-RING @				X			X	
03	19	T46384	812525	1	SCREW @			X	X	X	X	X	X
03	20	T46385	1488083	1	VALVE @			X	X	X	X	X	X
03	21	T46386	812508	4	SCREW @			X	X	X	X	X	X
03	22	T46387	1345149	1	CYLINDER @			X	X	X	X	X	X
03	23	T46388	812527	1	SCREW @			X	X	X	X	X	X
03	24	T22212	361043	1	TAPERED ROLLER BEARING (40X85X33)		0,860	X	X	X	X	X	X
03	24	T46389	1548817	1	BEARING @			X	X	X	X	X	X
03	25	T46390	1548819	1	CONE @			X	X	X	X	X	X
03	26	T46391	1548818	1	NEEDLE BEARING @			X	X	X	X	X	X
03	27	T46392	1461414	1	GROOVED NUT @			X	X	X	X	X	X
03	28	T38402	1548056	2	TAPERED ROLLER BEARING (65,00X110,00X31,00)		1,150	X	X	X	X	X	X



GRS 900 - GRSH 900 - GRS 900 Opt. - GRS 900R - GRSH 900R - GRS 900R Opt.
 CHART 3: MAIN SHAFT

CH.	FIG.	TAS no.	OEM no.	Q.ty	DESCRIPTION	NOTES	WEIGHT/Kg	GRS 900	GRSH 900	GRS 900 Opt	GRS 900R	GRSH 900R	GRS 900R Opt.
03	28	T46393	392996	1	BEARING @			X	X	X	X	X	X
03	29	T46394	1302731	1	WASHER @			X	X	X	X	X	X
03	29	T46395	1302732	1	WASHER @			X	X	X	X	X	X
03	29	T46396	1302733	1	WASHER @			X	X	X	X	X	X
03	29	T46397	1302734	1	WASHER @			X	X	X	X	X	X
03	29	T46398	1302735	1	WASHER @			X	X	X	X	X	X
03	30	T46399	1104069	1	WASHER @			X	X	X	X	X	X
03	30	T46400	1104070	1	WASHER @			X	X	X	X	X	X
03	30	T46401	1104071	1	WASHER @			X	X	X	X	X	X
03	31	T46402	1116459	1	GEAR 3^ SPEED @			X	X	X	X	X	X
03	31	T38217	1367794	1	T/M THIRD SPEED GEAR (32T.)		3,300	X	X	X	X	X	X
03	32	T38214	1116475	1	T/M SYNCHRONIZER CONE		1,500	X	X	X	X	X	X
03	33	T38231	1756447	2	T/M SYNCHRONIZER RING		0,440	X	X	X	X	X	X
03	34	T38221	1405981	1	T/M SYNCHRONIZER HUB		2,042	X	X	X	X	X	X
03	35	T38207	369906	1	T/M SLIDING SLEEVE		0,000	X	X	X	X	X	X
03	35	T38205	1529939	1	T/M SLIDING SLEEVE		1,000	X	X	X	X	X	X
03	36	T46403	1327286	2	COMPLETE FORK @			X	X	X	X	X	X
03	36	T46404	1479151	1	COMPLETE FORK @			X	X	X	X	X	X
03	37	T46405	1324974	1	TIE ROD @			X	X	X	X	X	X
03	38	T46406	1105280	2	PIN @			X	X	X	X	X	X
03	39	T46407	804772	2	RETAINER RING @			X	X	X	X	X	X
03	40	T38215	1116477	1	T/M SYNCHRONIZER CONE		0,000	X	X	X	X	X	X
03	41	T38213	1116461	1	T/M SECOND SPEED GEAR (35T.)		5,210	X	X	X	X	X	X
03	42	T46408	378628	3	NEEDLE BEARING @			X	X	X	X	X	X
03	43	T46409	1900234	1	MAIN SHAFT @			X	X	X	X	X	X
03	44	T46410	378616	1	NEEDLE BEARING @			X	X	X	X	X	X
03	45	T46411	1373172	1	GEAR 1^ SPEED (39 T.) @			X	X	X	X	X	X
03	45	T38219	1846636	1	T/M FIRST SPEED GEAR (44T.)		9,650	X	X	X	X	X	X
03	46	T38216	1300061	1	T/M COUPLING RING		0,975	X	X	X	X	X	X
03	46	T46412	2063265	1	RING @			X	X	X	X	X	X
03	47	T46413	383138	8	LOCK RING @			X	X	X	X	X	X
03	48	T46414	1340002	8	PIN @			X	X	X	X	X	X
03	48	T46415	1818496	8	PIN @			X	X	X	X	X	X



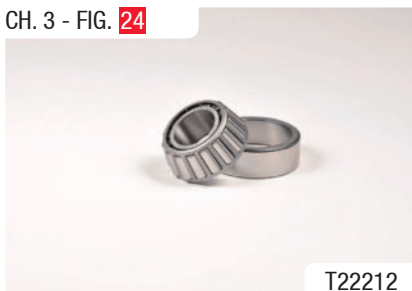
GRS 900 - GRSH 900 - GRS 900 Opt. - GRS 900R - GRSH 900R - GRS 900R Opt.
 CHART 3: MAIN SHAFT

CH.	FIG.	TAS no.	OEM no.	Q.ty	DESCRIPTION	NOTES	WEIGHT/Kg	GRS 900	GRSH 900	GRS 900 Opt	GRS 900R	GRSH 900R	GRS 900R Opt.
03	49	T46416	1300065	1	ELASTIC RING @			X	X	X	X	X	X
03	50	T46417	381227	1	SYNCHRONIZER RING @			X	X	X	X	X	X
03	50	T38222	1438526	1	T/M SYNCHRONIZER		0,320	X	X	X	X	X	X
03	51	T38225	1466318	1	T/M SYNCHRONIZER INTERMEDIATE CONE		0,460	X	X	X	X	X	X
03	52	T46418	373272	1	SYNCHRONIZER RING @			X	X	X	X	X	X
03	53	T38227	1401620	1	T/M SYNCHRONIZER RING		0,385	X	X	X	X	X	X
03	53	T38227	1529950	1	T/M SYNCHRONIZER RING		0,385	X	X	X	X	X	X
03	54	T46419	391804	1	RING @			X	X	X	X	X	X
03	55	T38229	1401622	1	T/M SYNCHRONIZER RING		0,130	X	X	X	X	X	X
03	55	T38229	1533848	1	T/M SYNCHRONIZER RING		0,130	X	X	X	X	X	X
03	56	T38221	1405981	1	T/M SYNCHRONIZER HUB		2,042	X	X	X	X	X	X
03	57	T46420	395759	1	LOCK RING @			X	X	X	X	X	X
03	58	T38205	1529939	1	T/M SLIDING SLEEVE		1,000	X	X	X	X	X	X
03	59	T46421	378632	1	GEAR LOW (40 T.) @			X	X	X	X	X	X
03	59	T38248	1394865	1	T/M MAINSHAFT LOW GEAR (40T.)		6,550	X	X	X	X	X	X
03	60	T46422	1304852	1	BUSH @			X	X	X	X	X	X
03	61	T46423	1324973	1	TIE ROD @			X	X	X	X	X	X
03	62	T38211	378627	1	T/M SYNCHRONIZER HUB		0,980	X	X	X	X	X	X
03	63	T46424	378646	1	SLIDING SLEEVE (30 T.) @			X	X	X	X	X	X
03	64	T46425	1305971	1	FORK @			X	X	X	X	X	X
03	65	T46426	1423958	2	SLIDING BLOCK @			X	X	X	X	X	X
03	66	T46427	1324972	1	TIE ROD @			X	X	X	X	X	X
03	67	T46428	1305978	1	PIN @			X	X	X	X	X	X
03	68	T46429	1105290	1	ELASTIC RING @			X	X	X	X	X	X
03	69	T38212	378633	1	T/M REVERSE GEAR (36T.)		6,370	X	X	X	X	X	X
03	70	T46430	1304853	1	BUSH @			X	X	X	X	X	X
03	71	T37657	1327878	1	TAPERED ROLLER BEARING (65X150X38)		3,140	X	X	X	X	X	X
03	72	T46431	378637	1	WASHER @			X	X	X	X	X	X
03	72	T46432	378638	1	WASHER @			X	X	X	X	X	X
03	72	T46433	378639	1	WASHER @			X	X	X	X	X	X
03	73	T46434	378640	1	WASHER @			X	X	X	X	X	X
03	74	T46435	1331804	1	RETAINER RING @			X	X	X	X	X	X
03	75	T46436	1113910	1	SPACER @			X	X	X	X	X	X



CH.	FIG.	TAS no.	OEM no.	Q.ty	DESCRIPTION	NOTES	WEIGHT/Kg	GRS 900	GRSH 900	GRS 900 Opt	GRS 900R	GRSH 900R	GRS 900R Opt.
03	76	T46437	1113913	1	WASHER @			X	X	X	X	X	X
03	76	T46438	1113914	1	WASHER @			X	X	X	X	X	X
03	76	T46439	1499904	1	WASHER @			X	X	X	X	X	X
03	77	T38210	1304850	1	T/M SYNCHRONIZER CONE		3,745	X	X	X	X	X	X
03	77	T38233	1789444	1	T/M SYNCHRONIZER CONE		0,000	X	X	X	X	X	X
03	77	T46440	1883354	1	SYNCHRONIZER CONE @			X	X	X	X	X	X
03	77	T46441	1927003	1	SYNCHRONIZER CONE @			X	X	X	X	X	X
03	78	T46442	1923810	1	SUN GEAR (24 T.) @			X	X	X			
03	78	T38224	1459309	1	T/M SUN GEAR (24T.)		2,500				X	X	X
03	78	T46443	1926235	1	SUN GEAR (24 T.) @						X	X	X
03	79	T46444	1461417	1	GROOVED NUT @			X	X	X			
03	79	T46445	1461416	1	GROOVED NUT @						X	X	X
03	80	T46446	1387297	1	PLUG @			X	X	X	X	X	X

CH. 3 - FIG. 24



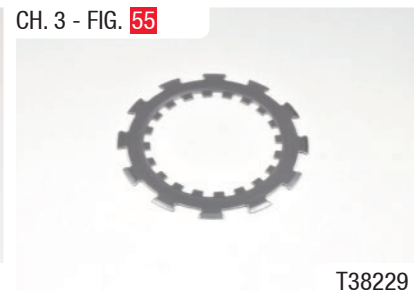
T22212

CH. 3 - FIG. 51



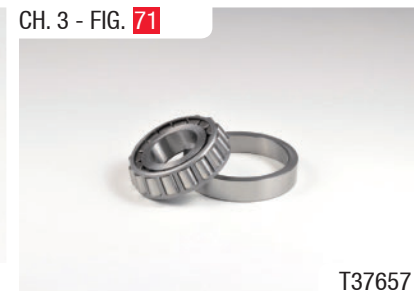
T38225

CH. 3 - FIG. 55



T38229

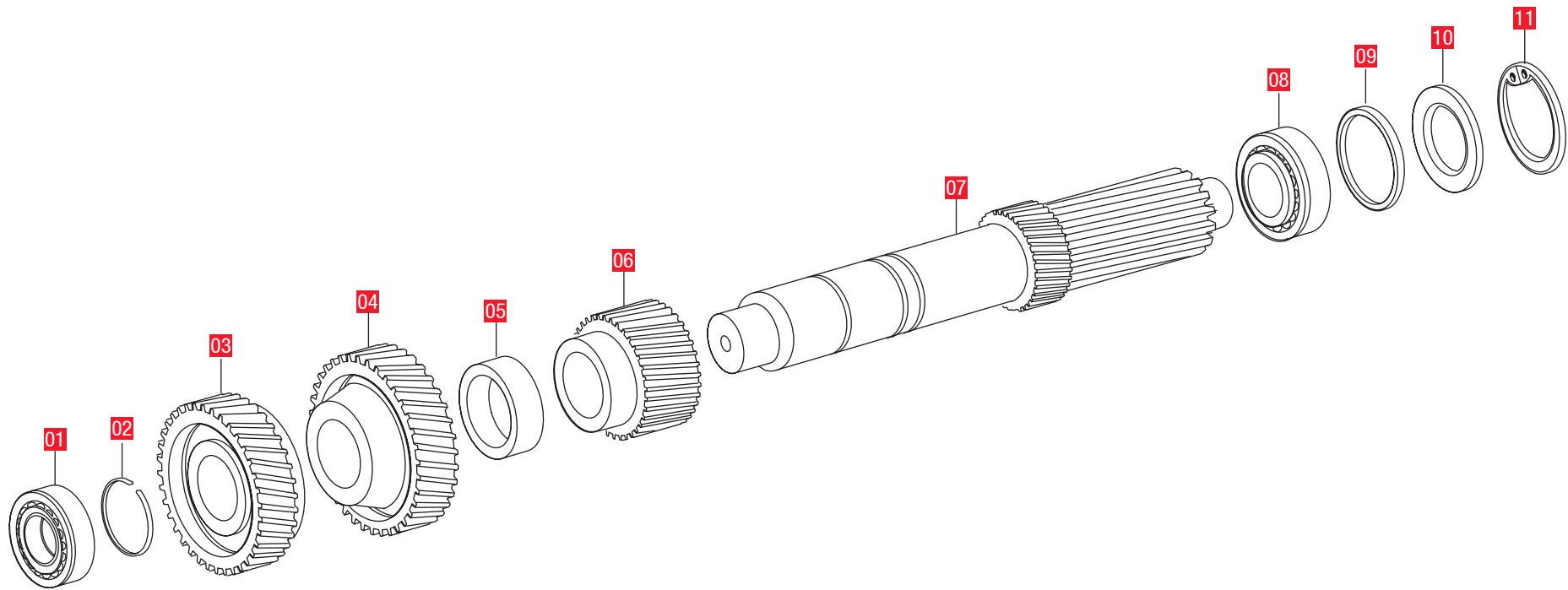
CH. 3 - FIG. 71



T37657



CHART 4





GRS 900 - GRSH 900 - GRS 900 Opt. - GRS 900R - GRSH 900R - GRS 900R Opt.
 CHART 4: LAY SHAFT

CH.	FIG.	TAS no.	OEM no.	Q.ty	DESCRIPTION	NOTES	WEIGHT/Kg	GRS 900	GRSH 900	GRS 900 Opt	GRS 900R	GRSH 900R	GRS 900R Opt.
04	01	T38404	1903570	1	TAPERED ROLLER BEARING (50,00X100,00X36,00)		1,290	X	X	X	X	X	X
04	01	T46447	1534829	1	BEARING @			X	X	X	X	X	X
04	02	T46448	1116481	1	LOCK RING @			X	X	X	X	X	X
04	03	T46449	1401659	1	CONSTANT GEAR (38 T.) @			X	X	X	X	X	X
04	04	T46450	1116471	1	GEAR 3^ SPEED @			X	X	X	X	X	X
04	04	T38235	1367796	1	T/M COUNTERSHAFT THIRD SPEED GEAR (34T.)		4,780	X	X	X	X	X	X
04	05	T46451	1116480	1	SLEEVE SPACER @			X	X	X	X	X	X
04	06	T38234	1116473	1	T/M COUNTERSHAFT SECOND SPEED GEAR (24T.)		3,580	X	X	X	X	X	X
04	07	T46452	1373173	1	COUNTERSHAFT (12-17 T.) @			X	X	X	X	X	X
04	07	T38236	1393880	1	T/M COUNTERSHAFT (12-19 T.)		18,240	X	X	X	X	X	X
04	08	T22649	1357711	1	TAPERED ROLLER BEARING (60X130X33,5)		1,950	X	X	X	X	X	X
04	09	T46453	804725	1	O-RING @			X	X	X	X	X	X
04	10	T46454	1104034	1	SPACER @			X	X	X	X	X	X
04	10	T46455	1104035	1	SPACER @			X	X	X	X	X	X
04	10	T46456	1104036	1	SPACER @			X	X	X	X	X	X
04	10	T46457	1104037	1	SPACER @			X	X	X	X	X	X
04	11	T46458	1333430	1	LOCK RING @			X	X	X	X	X	X

CH. 4 - FIG. 01



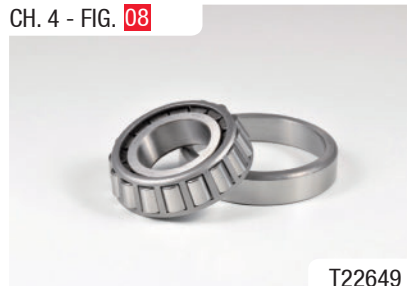
T38404

CH. 4 - FIG. 07



T38236

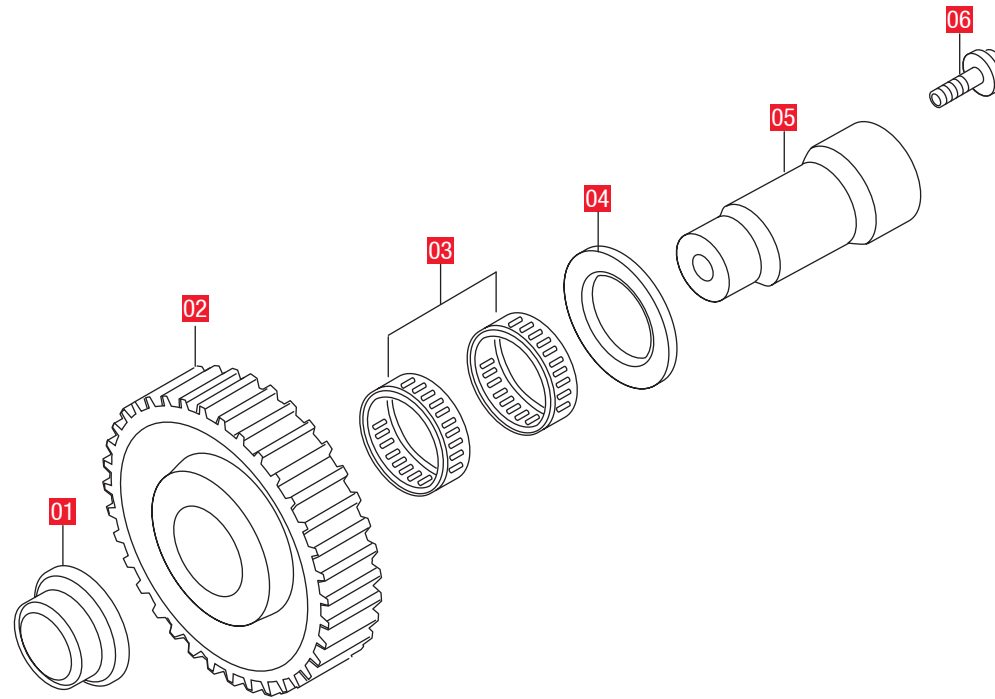
CH. 4 - FIG. 08



T22649



CHART 5



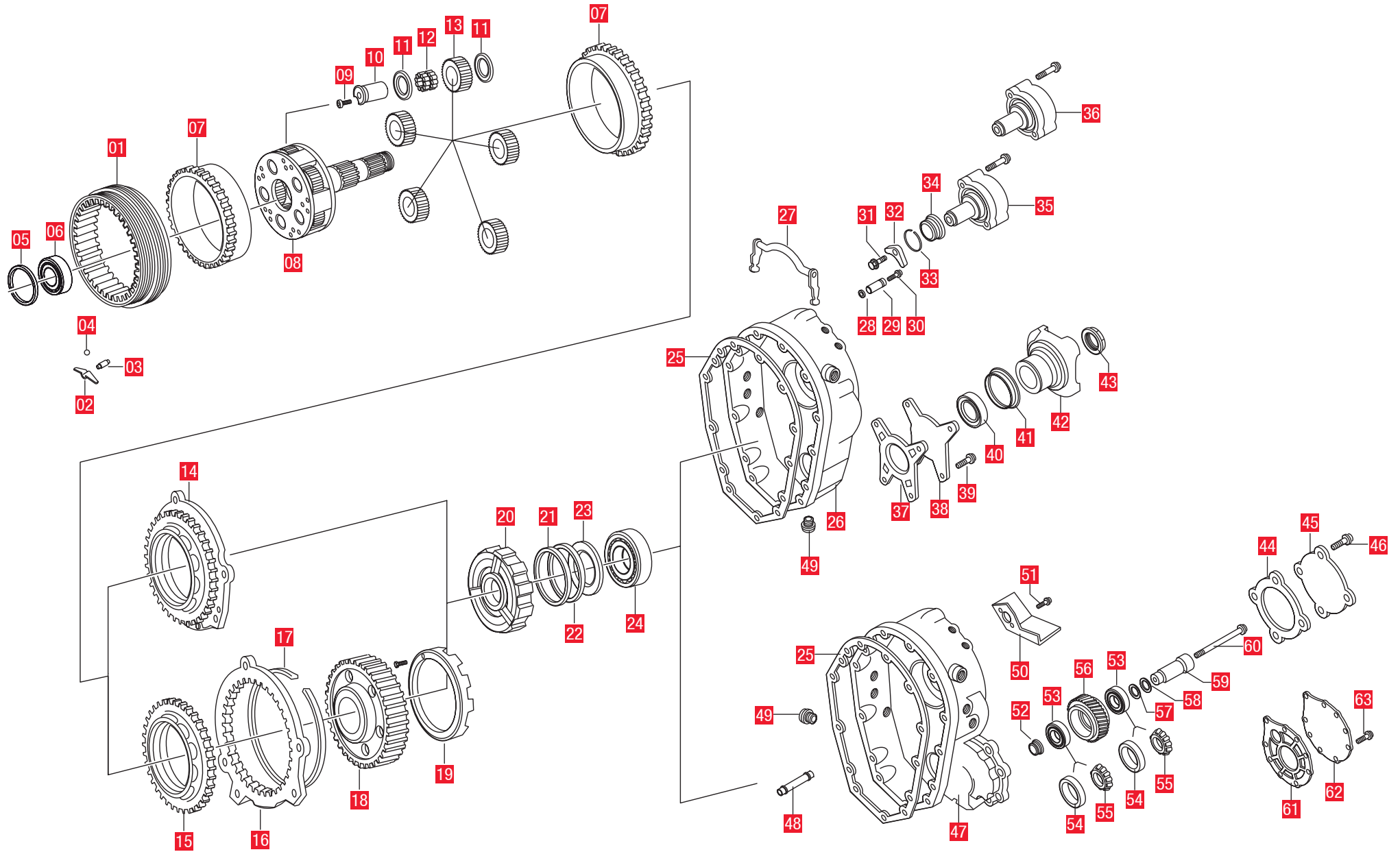


GRS 900 - GRSH 900 - GRS 900 Opt. - GRS 900R - GRSH 900R - GRS 900R Opt.
CHART 5: REVERSE GEAR

CH.	FIG.	TAS no.	OEM no.	Q.ty	DESCRIPTION	NOTES	WEIGHT/Kg	GRS 900	GRSH 900	GRS 900 Opt	GRS 900R	GRSH 900R	GRS 900R Opt.
05	01	T46459	378614	1	WASHER @			X	X	X	X	X	X
05	02	T46460	380110	1	REVERSE GEAR @			X	X	X	X	X	X
05	03	T46461	378615	2	NEEDLE BEARING @			X	X	X	X	X	X
05	04	T46462	380109	1	SPACER @			X	X	X	X	X	X
05	05	T46463	1510337	1	REVERSE PIN @			X	X	X	X	X	X
05	06	T46338	812534	1	SCREW @			X	X	X	X	X	X



CHART 6





GRS 900 - GRSH 900 - GRS 900 Opt. - GRS 900R - GRSH 900R - GRS 900R Opt.
 CHART 6: PLANETARY DRIVE

CH.	FIG.	TAS no.	OEM no.	Q.ty	DESCRIPTION	NOTES	WEIGHT/Kg	GRS 900	GRSH 900	GRS 900 Opt	GRS 900R	GRSH 900R	GRS 900R Opt.
06	-	T38680	1790598	1	T/M PLANETARY REDUCTION RING GEAR KIT			X	X	X	X	X	X
06	01	T38237	1118030	1	T/M PLANETARY REDUCTION RING GEAR		5,974	X	X	X	X	X	X
06	02	T38667	1395039	6	T/M PLANETARY REDUCTION RING GEAR SPRING			X	X	X	X	X	X
06	03	T38678	1332508	6	T/M PLANETARY REDUCTION RING GEAR PIN			X	X	X	X	X	X
06	04	T38679	871702	12	T/M PLANETARY REDUCTION RING GEAR BALL			X	X	X	X	X	X
06	05	T46464	1316456	1	RETAINER RING @						X	X	X
06	06	T46465	1300596	1	BEARING @						X	X	X
06	07	T20721	1395624	2	T/M SYNCHRONIZER BLOCKING RING		1,256	X	X	X	X	X	X
06	07	T20721	1770058	2	T/M SYNCHRONIZER BLOCKING RING		1,256	X	X	X	X	X	X
06	07	T38241	1883363	2	T/M SYNCHRONIZER RING		0,000	X	X	X	X	X	X
06	07	T46466	1925293	2	SYNCHRONIZER RING @			X	X	X	X	X	X
06	08	T46467	1318221	1	COMPLETE PLANET CARRIER @			X	X	X			
06	08	T46468	1318225	1	COMPLETE PLANET CARRIER @						X	X	X
06	09	T46469	1318714	5	SCREW @			X	X	X	X	X	X
06	10	T46470	1318713	5	PLANET SHAFT @			X	X	X	X	X	X
06	11	T46471	389419	10	THRUST WASHER @			X	X	X	X	X	X
06	11	T46472	1422910	10	THRUST WASHER @			X	X	X	X	X	X
06	12	T46473	389434	5	NEEDLE BEARING @			X	X	X	X	X	X
06	13	T46474	1373174	5	PLANETARY GEAR (20 T.) @			X	X	X	X	X	X
06	14	T46475	1308176	1	SYNCHRONIZER CONE @			X	X				
06	15	T38243	1323147	1	T/M SYNCHRONIZER CONE		3,095	X	X	X	X	X	X
06	15	T38243	1788170	1	T/M SYNCHRONIZER CONE		3,095	X	X	X	X	X	X
06	15	T38240	1883350	1	T/M SYNCHRONIZER CONE		0,000	X	X	X	X	X	X
06	15	T46476	1926256	1	SYNCHRONIZER CONE @			X	X	X	X	X	X
06	16	T38242	1323145	1	T/M COUPLING RING		2,400	X	X	X	X	X	X
06	17	T46477	1302665	1	RETAINER RING @			X	X	X	X	X	X
06	18	T38238	1426758	1	T/M GEAR (70T.)		5,730				X	X	X
06	19	T46478	1426759	1	CROWN GEAR @						X	X	X
06	20	T46479	1316875	1	PROTECTION @			X	X	X			
06	21	T46458	1333430	1	LOCK RING @			X	X	X	X	X	X
06	22	T46480	1109027	1	RING @			X	X	X	X	X	X
06	23	T46454	1104034	1	SPACER @			X	X	X	X	X	X
06	23	T46455	1104035	1	SPACER @			X	X	X	X	X	X



GRS 900 - GRSH 900 - GRS 900 Opt. - GRS 900R - GRSH 900R - GRS 900R Opt.
 CHART 6: PLANETARY DRIVE

CH.	FIG.	TAS no.	OEM no.	Q.ty	DESCRIPTION	NOTES	WEIGHT/Kg	GRS 900	GRSH 900	GRS 900 Opt	GRS 900R	GRSH 900R	GRS 900R Opt.
06	23	T46456	1104036	1	SPACER @			X	X	X	X	X	X
06	24	T38365	1783324	1	BALL BEARING (60X130X31)		1,710	X	X	X	X	X	X
06	25	T38353	1305139	1	T/M GASKET		0,020	X	X	X	X	X	X
06	26	T46481	1328043	1	COVER @			X	X	X			
06	26	T46482	1404506	1	COVER @			X	X	X			
06	27	T46483	1491403	1	LEVER @			X	X	X	X	X	X
06	28	T46379	804658	1	O-RING @			X	X	X	X	X	X
06	29	T46484	1740439	1	CYLINDRICAL PIN @			X	X	X	X	X	X
06	30	T46485	812515	1	SCREW @			X	X	X	X	X	X
06	31	T46486	1320671	1	SCREW @			X	X	X	X	X	X
06	32	T46487	1305676	1	SLIDING BL.(PLASTIC COAT)			X	X	X	X	X	X
06	33	T46488	1305111	2	RETAINER RING @			X	X	X	X	X	X
06	34	T46489	1305109	2	BUSH @			X	X	X	X	X	X
06	35	T46490	1484808	1	CYLINDER @			X	X	X	X	X	X
06	36	T46491	1484809	1	CYLINDER @			X	X	X	X	X	X
06	37	T46492	1320443	1	GASKET @			X	X	X			
06	38	T46493	1321630	1	COVER @			X	X	X			
06	39	T46494	815047	4	SCREW @			X	X	X			
06	40	T46495	1502384	1	OIL SEAL @			X	X	X	X	X	X
06	41	T46496	1300977	1	SEAL RING @			X	X	X	X	X	X
06	42	T46497	1340753	1	OUTPUT FLANGE @			X	X	X	X	X	X
06	42	T46498	1320436	1	OUTPUT FLANGE @			X	X	X	X	X	X
06	42	T46499	1422427	1	OUTPUT FLANGE @			X	X	X	X	X	X
06	42	T46500	1319645	1	OUTPUT FLANGE @			X	X	X	X	X	X
06	42	T46501	1422430	1	OUTPUT FLANGE @			X	X	X	X	X	X
06	42	T46502	1319646	1	OUTPUT FLANGE @			X	X	X	X	X	X
06	43	T46503	1525988	1	GROOVED NUT @			X	X	X	X	X	X
06	44	T46504	1329577	1	GASKET @						X	X	X
06	45	T46505	1752453	1	COVER @						X	X	X
06	46	T46338	812534	4	SCREW @						X	X	X
06	47	T46506	1332546	1	COVER @						X	X	X
06	47	T46507	1376914	1	COVER @						X	X	X
06	48	T46508	1338647	1	TUBE @						X	X	X



CH.	FIG.	TAS no.	OEM no.	Q.ty	DESCRIPTION	NOTES	WEIGHT/Kg	GRS 900	GRSH 900	GRS 900 Opt	GRS 900R	GRSH 900R	GRS 900R Opt.
06	49	T46509	1778167	1	PLUG @			X	X	X	X	X	X
06	50	T46510	1334214	1	PLATE @						X	X	X
06	50	T46511	1377990	1	PLATE @						X	X	X
06	51	T46485	812515	2	SCREW @						X	X	X
06	51	T46512	805619	2	SCREW @						X	X	X
06	52	T46513	1308167	1	SLEEVE @						X	X	X
06	53	T46389	1548817	1	BEARING @						X	X	X
06	54	T46390	1548819	1	CONE @						X	X	X
06	55	T46391	1548818	1	NEEDLE BEARING						X	X	X
06	56	T46514	1373704	1	GEAR (34 T.) @						X	X	X
06	57	T46515	1308172	1	WASHER @						X	X	X
06	57	T46516	1308171	1	WASHER @						X	X	X
06	57	T46517	1308170	1	WASHER @						X	X	X
06	58	T46518	1308168	1	WASHER @						X	X	X
06	59	T46519	1304747	1	SHAFT @						X	X	X
06	60	T46520	814886	1	SCREW @						X	X	X
06	61	T46521	1305142	1	GASKET @					X			
06	62	T46522	1386358	1	COVER @					X			
06	63	T46338	812534	4	SCREW @					X			
06	63	T46523	812539	5	SCREW @					X			





GRS 900 - GRSH 900 - GRS 900 Opt. - GRS 900R - GRSH 900R - GRS 900R Opt.
TABLE OF CONTENTS - Ordered by TAS no.

TAS n°	OEM n°	DESCRIPTION	PAG.
T20721	1395624	T/M SYNCHRONIZER BLOCKING RING	16
T20721	1770058	T/M SYNCHRONIZER BLOCKING RING	16
T22212	361043	TAPERED ROLLER BEARING (40X85X33)	07
T22649	1357711	TAPERED ROLLER BEARING (60X130X33,5)	12
T37657	1327878	TAPERED ROLLER BEARING (65X150X38)	05;09
T38205	1529939	T/M SLIDING SLEEVE	07;08;09
T38207	369906	T/M SLIDING SLEEVE	07;08
T38208	374334	T/M CYLINDRICAL PRESSURE PIECE	07
T38210	1304850	T/M SYNCHRONIZER CONE	10
T38211	378627	T/M SYNCHRONIZER HUB	09
T38212	378633	T/M REVERSE GEAR (36T.)	09
T38213	1116461	T/M SECOND SPEED GEAR (35T.)	08
T38214	1116475	T/M SYNCHRONIZER CONE	07;08
T38215	1116477	T/M SYNCHRONIZER CONE	08
T38216	1300061	T/M COUPLING RING	08
T38217	1367794	T/M THIRD SPEED GEAR (32T.)	08
T38218	1376499	T/M SYNCHRONIZER HUB	07
T38219	1846636	T/M FIRST SPEED GEAR (44T.)	08
T38221	1405981	T/M SYNCHRONIZER HUB	08;09
T38222	1438526	T/M SYNCHRONIZER	09
T38224	1459309	T/M SUN GEAR (24T.)	10
T38225	1466318	T/M SYNCHRONIZER INTERMEDIATE CONE	09
T38227	1401620	T/M SYNCHRONIZER RING	09
T38227	1529950	T/M SYNCHRONIZER RING	09
T38229	1401622	T/M SYNCHRONIZER RING	09
T38229	1533848	T/M SYNCHRONIZER RING	09
T38231	1756447	T/M SYNCHRONIZER RING	07;08
T38233	1789444	T/M SYNCHRONIZER CONE	10
T38234	1116473	T/M COUNTERSHAFT SECOND SPEED GEAR (24T.)	12
T38235	1367796	T/M COUNTERSHAFT THIRD SPEED GEAR (34T.)	12
T38236	1393880	T/M COUNTERSHAFT (12-19 T.)	12
T38237	1118030	T/M PLANETARY REDUCTION RING GEAR	16
T38238	1426758	T/M GEAR (70T.)	16

TAS n°	OEM n°	DESCRIPTION	PAG.
T38240	1883350	T/M SYNCHRONIZER CONE	16
T38241	1883363	T/M SYNCHRONIZER RING	16
T38242	1323145	T/M COUPLING RING	16
T38243	1323147	T/M SYNCHRONIZER CONE	16
T38243	1788170	T/M SYNCHRONIZER CONE	16
T38245	1377307	T/M MAIN DRIVE GEAR	05
T38246	1378579	T/M MAIN DRIVE GEAR	05
T38248	1394865	T/M MAINSHAFT LOW GEAR (40T.)	09
T38353	1305139	T/M GASKET	17
T38365	1783324	BALL BEARING (60X130X31)	17
T38402	1548056	TAPERED ROLLER BEARING (65,00X110,00X31,00)	07
T38404	1903570	TAPERED ROLLER BEARING (50,00X100,00X36,00)	12
T38407	550577	T/M GASKETS AND SEALS KIT	03
T38667	1395039	T/M PLANETARY REDUCTION RING GEAR SPRING	16
T38678	1332508	T/M PLANETARY REDUCTION RING GEAR PIN	16
T38679	871702	T/M PLANETARY REDUCTION RING GEAR BALL	16
T38680	1790598	T/M PLANETARY REDUCTION RING GEAR KIT	16
T39291	1318388	SEAL RING 55X75X9 MM	05
T46333	1326251	SUPPORT @	03
T46334	1122671	SUPPORT @	03
T46335	1326252	SUPPORT @	03
T46336	1321629	COVER @	03
T46337	1302556	GASKET @	03
T46338	812534	SCREW @	03;14;17;18
T46339	1305673	GASKET @	03
T46340	804660	O-RING @	03
T46341	1307097	OIL FILTER @	03
T46342	1334033	COVER @	03
T46343	1527743	GASKET @	03
T46344	1334194	SUPPORT @	03
T46345	1110341	BUSH @	03
T46346	810958	O-RING @	03
T46347	1392600	OIL TUBE @	03



GRS 900 - GRSH 900 - GRS 900 Opt. - GRS 900R - GRSH 900R - GRS 900R Opt.
TABLE OF CONTENTS - Ordered by TAS no.

TAS n°	OEM n°	DESCRIPTION	PAG.
T46348	1768402	OIL FILTER @	03
T46349	812509	SCREW @	03
T46350	1426449	OIL PUMP @	03
T46351	1103934	COVER @	05
T46352	812516	SCREW @	05
T46353	378613	RING @	05
T46354	1114315	SPACER @	05
T46355	1515004	ELASTIC RING @	05
T46356	1113900	RETAINER RING @	05
T46357	1113901	RETAINER RING @	05
T46358	1113902	RETAINER RING @	05
T46359	1113903	RETAINER RING @	05
T46360	1113904	RETAINER RING @	05
T46361	1113905	RETAINER RING @	05
T46362	1113906	RETAINER RING @	05
T46363	372778	NEEDLE BEARING @	05
T46364	1399190	CONSTANT GEAR (29 T.) @	05
T46365	1327647	RETAINER RING @	05
T46366	1327648	RETAINER RING @	05
T46367	1327649	RETAINER RING @	05
T46368	315060	OIL TUBE @	05
T46369	369910	SHIFT STOP @	07
T46370	369911	SPRING @	07
T46371	1335671	FORK @	07
T46372	1335174	TIE ROD @	07
T46373	1515870	RING @	07
T46374	1318761	BUSH @	07
T46375	1472144	O-RING @	07
T46376	1305977	INTERMEDIATE PIECE @	07
T46377	804710	O-RING @	07
T46378	1472718	O-RING @	07
T46379	804658	O-RING @	07;17
T46380	397920	O-RING @	07

TAS n°	OEM n°	DESCRIPTION	PAG.
T46381	1337894	PISTON @	07
T46382	804672	O-RING @	07
T46383	390546	O-RING @	07
T46384	812525	SCREW @	07
T46385	1488083	VALVE @	07
T46386	812508	SCREW @	07
T46387	1345149	CYLINDER @	07
T46388	812527	SCREW @	07
T46389	1548817	BEARING @	07;18
T46390	1548819	CONE @	07;18
T46391	1548818	NEEDLE BEARING @	07;18
T46392	1461414	GROOVED NUT @	07
T46393	392996	BEARING @	08
T46394	1302731	WASHER @	08
T46395	1302732	WASHER @	08
T46396	1302733	WASHER @	08
T46397	1302734	WASHER @	08
T46398	1302735	WASHER @	08
T46399	1104069	WASHER @	08
T46400	1104070	WASHER @	08
T46401	1104071	WASHER @	08
T46402	1116459	GEAR 3^ SPEED @	08
T46403	1327286	COMPLETE FORK @	08
T46404	1479151	COMPLETE FORK @	08
T46405	1324974	TIE ROD @	08
T46406	1105280	PIN @	08
T46407	804772	RETAINER RING @	08
T46408	378628	NEEDLE BEARING @	08
T46409	1900234	MAIN SHAFT @	08
T46410	378616	NEEDLE BEARING @	08
T46411	1373172	GEAR 1^ SPEED (39 T.) @	08
T46412	2063265	RING @	08
T46413	383138	LOCK RING @	08



GRS 900 - GRSH 900 - GRS 900 Opt. - GRS 900R - GRSH 900R - GRS 900R Opt.
TABLE OF CONTENTS - Ordered by TAS no.

TAS n°	OEM n°	DESCRIPTION	PAG.
T46414	1340002	PIN @	08
T46415	1818496	PIN @	08
T46416	1300065	ELASTIC RING @	09
T46417	381227	SYNCHRONIZER RING @	09
T46418	373272	SYNCHRONIZER RING @	09
T46419	391804	RING @	09
T46420	395759	LOCK RING @	09
T46421	378632	GEAR LOW (40 T.) @	09
T46422	1304852	BUSH @	09
T46423	1324973	TIE ROD @	09
T46424	378646	SLIDING SLEEVE (30 T.) @	09
T46425	1305971	FORK @	09
T46426	1423958	SLIDING BLOCK @	09
T46427	1324972	TIE ROD @	09
T46428	1305978	PIN @	09
T46429	1105290	ELASTIC RING @	09
T46430	1304853	BUSH @	09
T46431	378637	WASHER @	09
T46432	378638	WASHER @	09
T46433	378639	WASHER @	09
T46434	378640	WASHER @	09
T46435	1331804	RETAINER RING @	09
T46436	1113910	SPACER @	09
T46437	1113913	WASHER @	10
T46438	1113914	WASHER @	10
T46439	1499904	WASHER @	10
T46440	1883354	SYNCHRONIZER CONE @	10
T46441	1927003	SYNCHRONIZER CONE @	10
T46442	1923810	SUN GEAR (24 T.) @	10
T46443	1926235	SUN GEAR (24 T.) @	10
T46444	1461417	GROOVED NUT @	10
T46445	1461416	GROOVED NUT @	10
T46446	1387297	PLUG @	10

TAS n°	OEM n°	DESCRIPTION	PAG.
T46447	1534829	BEARING @	12
T46448	1116481	LOCK RING @	12
T46449	1401659	CONSTANT GEAR (38 T.) @	12
T46450	1116471	GEAR 3^ SPEED @	12
T46451	1116480	SLEEVE SPACER @	12
T46452	1373173	COUNTERSHAFT (12-17 T.) @	12
T46453	804725	O-RING @	12
T46454	1104034	SPACER @	12;16
T46455	1104035	SPACER @	12;16
T46456	1104036	SPACER @	12;17
T46457	1104037	SPACER @	12
T46458	1333430	LOCK RING @	12;16
T46459	378614	WASHER @	14
T46460	380110	REVERSE GEAR @	14
T46461	378615	NEEDLE BEARING @	14
T46462	380109	SPACER @	14
T46463	1510337	REVERSE PIN @	14
T46464	1316456	RETAINER RING @	16
T46465	1300596	BEARING @	16
T46466	1925293	SYNCHRONIZER RING @	16
T46467	1318221	COMPLETE PLANET CARRIER @	16
T46468	1318225	COMPLETE PLANET CARRIER @	16
T46469	1318714	SCREW @	16
T46470	1318713	PLANET SHAFT @	16
T46471	389419	THRUST WASHER @	16
T46472	1422910	THRUST WASHER @	16
T46473	389434	NEEDLE BEARING @	16
T46474	1373174	PLANETARY GEAR (20 T.) @	16
T46475	1308176	SYNCHRONIZER CONE @	16
T46476	1926256	SYNCHRONIZER CONE @	16
T46477	1302665	RETAINER RING @	16
T46478	1426759	CROWN GEAR @	16
T46479	1316875	PROTECTION @	16



GRS 900 - GRSH 900 - GRS 900 Opt. - GRS 900R - GRSH 900R - GRS 900R Opt.
TABLE OF CONTENTS - Ordered by TAS no.

TAS n°	OEM n°	DESCRIPTION	PAG.
T46480	1109027	RING @	16
T46481	1328043	COVER @	17
T46482	1404506	COVER @	17
T46483	1491403	LEVER @	17
T46484	1740439	CYLINDRICAL PIN @	17
T46485	812515	SCREW @	17;18
T46486	1320671	SCREW @	17
T46487	1305676	SLIDING BL.(PLASTIC COAT)	17
T46488	1305111	RETAINER RING @	17
T46489	1305109	BUSH @	17
T46490	1484808	CYLINDER @	17
T46491	1484809	CYLINDER @	17
T46492	1320443	GASKET @	17
T46493	1321630	COVER @	17
T46494	815047	SCREW @	17
T46495	1502384	OIL SEAL @	17
T46496	1300977	SEAL RING @	17
T46497	1340753	OUTPUT FLANGE @	17
T46498	1320436	OUTPUT FLANGE @	17
T46499	1422427	OUTPUT FLANGE @	17
T46500	1319645	OUTPUT FLANGE @	17
T46501	1422430	OUTPUT FLANGE @	17
T46502	1319646	OUTPUT FLANGE @	17
T46503	1525988	GROOVED NUT @	17
T46504	1329577	GASKET @	17
T46505	1752453	COVER @	17
T46506	1332546	COVER @	17
T46507	1376914	COVER @	17
T46508	1338647	TUBE @	17
T46509	1778167	PLUG @	18
T46510	1334214	PLATE @	18
T46511	1377990	PLATE @	18
T46512	805619	SCREW @	18

TAS n°	OEM n°	DESCRIPTION	PAG.
T46513	1308167	SLEEVE @	18
T46514	1373704	GEAR (34 T.) @	18
T46515	1308172	WASHER @	18
T46516	1308171	WASHER @	18
T46517	1308170	WASHER @	18
T46518	1308168	WASHER @	18
T46519	1304747	SHAFT @	18
T46520	814886	SCREW @	18
T46521	1305142	GASKET @	18
T46522	1386358	COVER @	18
T46523	812539	SCREW @	18
		REPAIR KIT @	07



GRS 900 - GRSH 900 - GRS 900 Opt. - GRS 900R - GRSH 900R - GRS 900R Opt.
TABLE OF CONTENTS - Ordered by OEM no.

OEM n°	TAS n°	DESCRIPTION	PAG.
315060	T46368	OIL TUBE @	05
361043	T22212	TAPERED ROLLER BEARING (40X85X33)	07
369906	T38207	T/M SLIDING SLEEVE	07;08
369910	T46369	SHIFT STOP @	07
369911	T46370	SPRING @	07
372778	T46363	NEEDLE BEARING @	05
373272	T46418	SYNCHRONIZER RING @	09
374334	T38208	T/M CYLINDRICAL PRESSURE PIECE	07
378613	T46353	RING @	05
378614	T46459	WASHER @	14
378615	T46461	NEEDLE BEARING @	14
378616	T46410	NEEDLE BEARING @	08
378627	T38211	T/M SYNCHRONIZER HUB	09
378628	T46408	NEEDLE BEARING @	08
378632	T46421	GEAR LOW (40 T.) @	09
378633	T38212	T/M REVERSE GEAR (36T.)	09
378637	T46431	WASHER @	09
378638	T46432	WASHER @	09
378639	T46433	WASHER @	09
378640	T46434	WASHER @	09
378646	T46424	SLIDING SLEEVE (30 T.) @	09
380109	T46462	SPACER @	14
380110	T46460	REVERSE GEAR @	14
381227	T46417	SYNCHRONIZER RING @	09
383138	T46413	LOCK RING @	08
389419	T46471	THRUST WASHER @	16
389434	T46473	NEEDLE BEARING @	16
390546	T46383	O-RING @	07
391804	T46419	RING @	09
392996	T46393	BEARING @	08
395759	T46420	LOCK RING @	09
397920	T46380	O-RING @	07
550577	T38407	T/M GASKETS AND SEALS KIT	03

OEM n°	TAS n°	DESCRIPTION	PAG.
804658	T46379	O-RING @	07;17
804660	T46340	O-RING @	03
804672	T46382	O-RING @	07
804710	T46377	O-RING @	07
804725	T46453	O-RING @	12
804772	T46407	RETAINER RING @	08
805619	T46512	SCREW @	18
810958	T46346	O-RING @	03
812508	T46386	SCREW @	07
812509	T46349	SCREW @	03
812515	T46485	SCREW @	17;18
812516	T46352	SCREW @	05
812525	T46384	SCREW @	07
812527	T46388	SCREW @	07
812534	T46338	SCREW @	03;14;17;18
812539	T46523	SCREW @	18
814886	T46520	SCREW @	18
815047	T46494	SCREW @	17
871702	T38679	T/M PLANETARY REDUCTION RING GEAR BALL	16
1103934	T46351	COVER @	05
1104034	T46454	SPACER @	12;16
1104035	T46455	SPACER @	12;16
1104036	T46456	SPACER @	12;17
1104037	T46457	SPACER @	12
1104069	T46399	WASHER @	08
1104070	T46400	WASHER @	08
1104071	T46401	WASHER @	08
1105280	T46406	PIN @	08
1105290	T46429	ELASTIC RING @	09
1109027	T46480	RING @	16
1110341	T46345	BUSH @	03
1113900	T46356	RETAINER RING @	05
1113901	T46357	RETAINER RING @	05



GRS 900 - GRSH 900 - GRS 900 Opt. - GRS 900R - GRSH 900R - GRS 900R Opt.
TABLE OF CONTENTS - Ordered by OEM no.

OEM n°	TAS n°	DESCRIPTION	PAG.
1113902	T46358	RETAINER RING @	05
1113903	T46359	RETAINER RING @	05
1113904	T46360	RETAINER RING @	05
1113905	T46361	RETAINER RING @	05
1113906	T46362	RETAINER RING @	05
1113910	T46436	SPACER @	09
1113913	T46437	WASHER @	10
1113914	T46438	WASHER @	10
1114315	T46354	SPACER @	05
1116459	T46402	GEAR 3^ SPEED @	08
1116461	T38213	T/M SECOND SPEED GEAR (35T.)	08
1116471	T46450	GEAR 3^ SPEED @	12
1116473	T38234	T/M COUNTERSHAFT SECOND SPEED GEAR (24T.)	12
1116475	T38214	T/M SYNCHRONIZER CONE	07;08
1116477	T38215	T/M SYNCHRONIZER CONE	08
1116480	T46451	SLEEVE SPACER @	12
1116481	T46448	LOCK RING @	12
1118030	T38237	T/M PLANETARY REDUCTION RING GEAR	16
1122671	T46334	SUPPORT @	03
1300061	T38216	T/M COUPLING RING	08
1300065	T46416	ELASTIC RING @	09
1300596	T46465	BEARING @	16
1300977	T46496	SEAL RING @	17
1302556	T46337	GASKET @	03
1302665	T46477	RETAINER RING @	16
1302731	T46394	WASHER @	08
1302732	T46395	WASHER @	08
1302733	T46396	WASHER @	08
1302734	T46397	WASHER @	08
1302735	T46398	WASHER @	08
1304747	T46519	SHAFT @	18
1304850	T38210	T/M SYNCHRONIZER CONE	10
1304852	T46422	BUSH @	09

OEM n°	TAS n°	DESCRIPTION	PAG.
1304853	T46430	BUSH @	09
1305109	T46489	BUSH @	17
1305111	T46488	RETAINER RING @	17
1305139	T38353	T/M GASKET	17
1305142	T46521	GASKET @	18
1305673	T46339	GASKET @	03
1305676	T46487	SLIDING BL.(PLASTIC COAT)	17
1305971	T46425	FORK @	09
1305977	T46376	INTERMEDIATE PIECE @	07
1305978	T46428	PIN @	09
1307097	T46341	OIL FILTER @	03
1308167	T46513	SLEEVE @	18
1308168	T46518	WASHER @	18
1308170	T46517	WASHER @	18
1308171	T46516	WASHER @	18
1308172	T46515	WASHER @	18
1308176	T46475	SYNCHRONIZER CONE @	16
1316456	T46464	RETAINER RING @	16
1316875	T46479	PROTECTION @	16
1318221	T46467	COMPLETE PLANET CARRIER @	16
1318225	T46468	COMPLETE PLANET CARRIER @	16
1318388	T39291	SEAL RING 55X75X9 MM	05
1318713	T46470	PLANET SHAFT @	16
1318714	T46469	SCREW @	16
1318761	T46374	BUSH @	07
1319645	T46500	OUTPUT FLANGE @	17
1319646	T46502	OUTPUT FLANGE @	17
1320436	T46498	OUTPUT FLANGE @	17
1320443	T46492	GASKET @	17
1320671	T46486	SCREW @	17
1321629	T46336	COVER @	03
1321630	T46493	COVER @	17
1323145	T38242	T/M COUPLING RING	16



GRS 900 - GRSH 900 - GRS 900 Opt. - GRS 900R - GRSH 900R - GRS 900R Opt.
TABLE OF CONTENTS - Ordered by OEM no.

OEM n°	TAS n°	DESCRIPTION	PAG.
1323147	T38243	T/M SYNCHRONIZER CONE	16
1324972	T46427	TIE ROD @	09
1324973	T46423	TIE ROD @	09
1324974	T46405	TIE ROD @	08
1326251	T46333	SUPPORT @	03
1326252	T46335	SUPPORT @	03
1327286	T46403	COMPLETE FORK @	08
1327647	T46365	RETAINER RING @	05
1327648	T46366	RETAINER RING @	05
1327649	T46367	RETAINER RING @	05
1327878	T37657	TAPERED ROLLER BEARING (65X150X38)	05;09
1328043	T46481	COVER @	17
1329577	T46504	GASKET @	17
1331804	T46435	RETAINER RING @	09
1332508	T38678	T/M PLANETARY REDUCTION RING GEAR PIN	16
1332546	T46506	COVER @	17
1333430	T46458	LOCK RING @	12;16
1334033	T46342	COVER @	03
1334194	T46344	SUPPORT @	03
1334214	T46510	PLATE @	18
1335174	T46372	TIE ROD @	07
1335671	T46371	FORK @	07
1337894	T46381	PISTON @	07
1338647	T46508	TUBE @	17
1340002	T46414	PIN @	08
1340753	T46497	OUTPUT FLANGE @	17
1345149	T46387	CYLINDER @	07
1357711	T22649	TAPERED ROLLER BEARING (60X130X33,5)	12
1367794	T38217	T/M THIRD SPEED GEAR (32T.)	08
1367796	T38235	T/M COUNTERSHAFT THIRD SPEED GEAR (34T.)	12
1373172	T46411	GEAR 1^ SPEED (39 T.) @	08
1373173	T46452	COUNTERSHAFT (12-17 T.) @	12
1373174	T46474	PLANETARY GEAR (20 T.) @	16

OEM n°	TAS n°	DESCRIPTION	PAG.
1373704	T46514	GEAR (34 T.) @	18
1376499	T38218	T/M SYNCHRONIZER HUB	07
1376914	T46507	COVER @	17
1377307	T38245	T/M MAIN DRIVE GEAR	05
1377990	T46511	PLATE @	18
1378579	T38246	T/M MAIN DRIVE GEAR	05
1386358	T46522	COVER @	18
1387297	T46446	PLUG @	10
1392600	T46347	OIL TUBE @	03
1393880	T38236	T/M COUNTERSHAFT (12-19 T.)	12
1394865	T38248	T/M MAINSHAFT LOW GEAR (40T.)	09
1395039	T38667	T/M PLANETARY REDUCTION RING GEAR SPRING	16
1395624	T20721	T/M SYNCHRONIZER BLOCKING RING	16
1399190	T46364	CONSTANT GEAR (29 T.) @	05
1401620	T38227	T/M SYNCHRONIZER RING	09
1401622	T38229	T/M SYNCHRONIZER RING	09
1401659	T46449	CONSTANT GEAR (38 T.) @	12
1404506	T46482	COVER @	17
1405981	T38221	T/M SYNCHRONIZER HUB	08;09
1422427	T46499	OUTPUT FLANGE @	17
1422430	T46501	OUTPUT FLANGE @	17
1422910	T46472	THRUST WASHER @	16
1423958	T46426	SLIDING BLOCK @	09
1426449	T46350	OIL PUMP @	03
1426758	T38238	T/M GEAR (70T.)	16
1426759	T46478	CROWN GEAR @	16
1438526	T38222	T/M SYNCHRONIZER	09
1459309	T38224	T/M SUN GEAR (24T.)	10
1461414	T46392	GROOVED NUT @	07
1461416	T46445	GROOVED NUT @	10
1461417	T46444	GROOVED NUT @	10
1466318	T38225	T/M SYNCHRONIZER INTERMEDIATE CONE	09
1472144	T46375	O-RING @	07



GRS 900 - GRSH 900 - GRS 900 Opt. - GRS 900R - GRSH 900R - GRS 900R Opt.
TABLE OF CONTENTS - Ordered by OEM no.

OEM n°	TAS n°	DESCRIPTION	PAG.
1472718	T46378	O-RING @	07
1479151	T46404	COMPLETE FORK @	08
1484808	T46490	CYLINDER @	17
1484809	T46491	CYLINDER @	17
1488083	T46385	VALVE @	07
1491403	T46483	LEVER @	17
1499904	T46439	WASHER @	10
1502384	T46495	OIL SEAL @	17
1510337	T46463	REVERSE PIN @	14
1515004	T46355	ELASTIC RING @	05
1515870	T46373	RING @	07
1525988	T46503	GROOVED NUT @	17
1527743	T46343	GASKET @	03
1529939	T38205	T/M SLIDING SLEEVE	07;08;09
1529950	T38227	T/M SYNCHRONIZER RING	09
1533848	T38229	T/M SYNCHRONIZER RING	09
1534829	T46447	BEARING @	12
1548056	T38402	TAPERED ROLLER BEARING (65,00X110,00X31,00)	07
1548817	T46389	BEARING @	07;18
1548818	T46391	NEEDLE BEARING @	07;18
1548819	T46390	CONE @	07;18
1740439	T46484	CYLINDRICAL PIN @	17
1752453	T46505	COVER @	17
1756447	T38231	T/M SYNCHRONIZER RING	07;08
1768402	T46348	OIL FILTER @	03
1770058	T20721	T/M SYNCHRONIZER BLOCKING RING	16
1778167	T46509	PLUG @	18
1783324	T38365	BALL BEARING (60X130X31)	17
1788170	T38243	T/M SYNCHRONIZER CONE	16
1789444	T38233	T/M SYNCHRONIZER CONE	10
1790598	T38680	T/M PLANETARY REDUCTION RING GEAR KIT	16
1818496	T46415	PIN @	08
1846636	T38219	T/M FIRST SPEED GEAR (44T.)	08

OEM n°	TAS n°	DESCRIPTION	PAG.
1883350	T38240	T/M SYNCHRONIZER CONE	16
1883354	T46440	SYNCHRONIZER CONE @	10
1883363	T38241	T/M SYNCHRONIZER RING	16
1900234	T46409	MAIN SHAFT @	08
1903570	T38404	TAPERED ROLLER BEARING (50,00X100,00X36,00)	12
1923810	T46442	SUN GEAR (24 T.) @	10
1925293	T46466	SYNCHRONIZER RING @	16
1926235	T46443	SUN GEAR (24 T.) @	10
1926256	T46476	SYNCHRONIZER CONE @	16
1927003	T46441	SYNCHRONIZER CONE @	10
2063265	T46412	RING @	08
		REPAIR KIT @	07



TRACTOR AUTOMOBILE SPARES

Head Office:

Via Argine, 306 - 80147 Napoli

Tel.: +39 081 7520645

Fax: +39 081 7529475

web@tas-spa.com

www.tas-spa.com



[facebook.com/Tas.Spa.TractorAutomobileSpares](https://www.facebook.com/Tas.Spa.TractorAutomobileSpares)