

2020



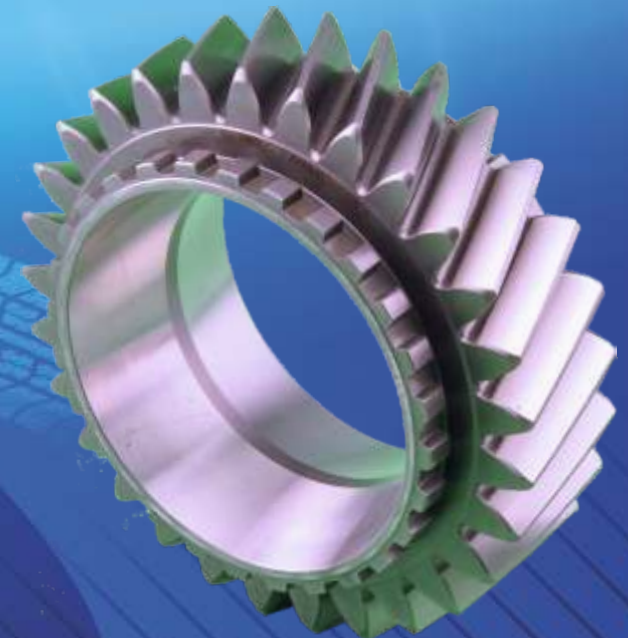
**GEARBOX AND DIFFERENTIAL
SPARE PARTS**

Gearbox and Differential spare parts
suitable to :

VOLVO

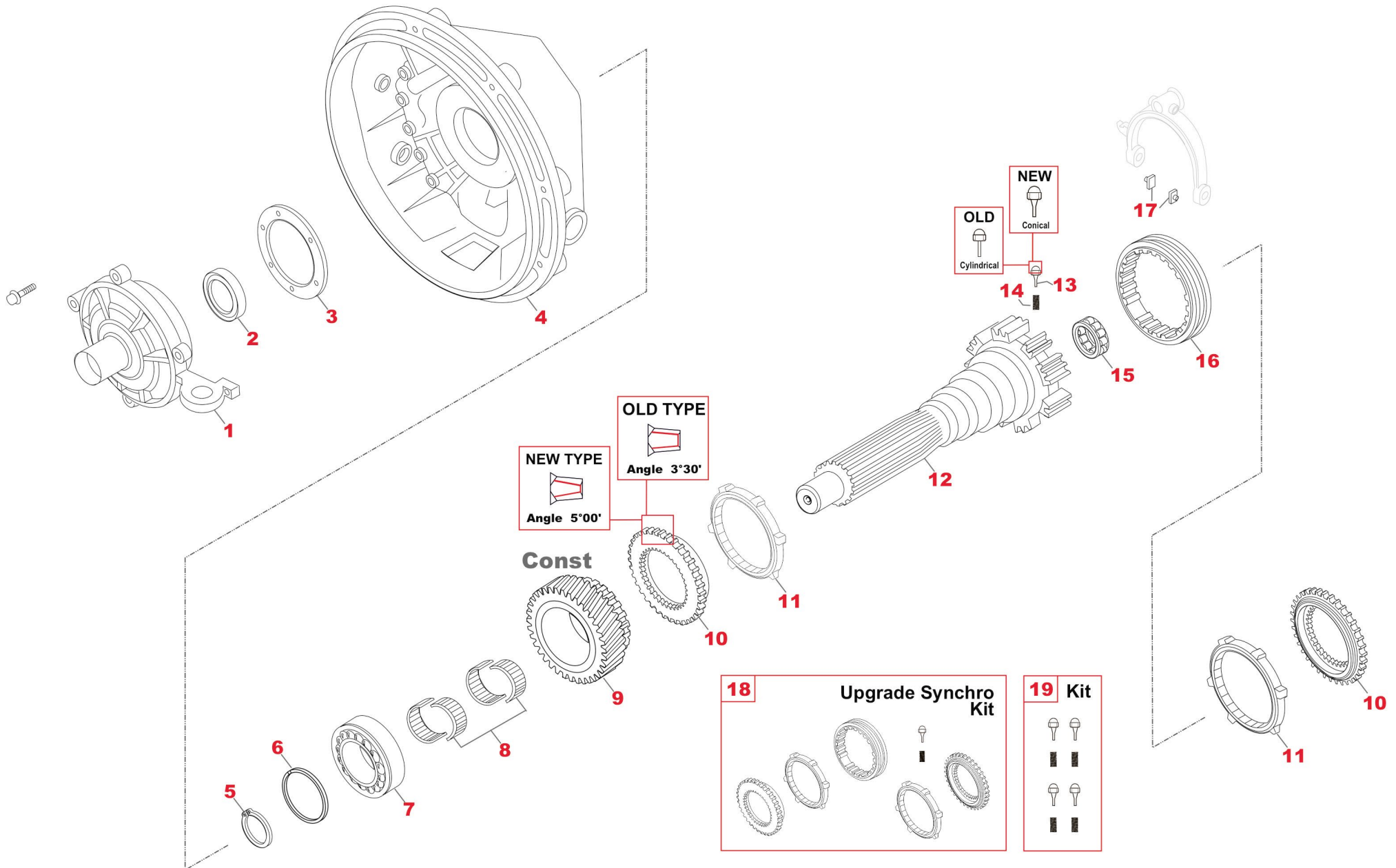
VT2014

FH/FM Version 1
FH/FM Version 2
FMX
Engine EURO IV & V & VI





VT2014B



CH	FIG.	TAS no.	OEM no.	Description	Qty	Note	Note1	Ex/ Cross	Ex/ Cross
C01	1	T46190	20366711	COVER FRONT	1			1521978	
C01	2	T38578	20476025	OIL SEAL RING (64,9X90X9,5/10)	1			1521431	
C01	3	T46191	1521564	GASKET	1				
C01	4	T78575	22287649	HOUSING GEARBOX FRONT	1			21344085	21093748
C01	5	T47062	1654102	SEEGER RING (T.2,90)	1				
C01	5	T46193	1654101	SEEGER RING (T.2,80)	1				
C01	5	T46192	1654100	SEEGER RING (T.2,70)	1				
C01	6	T46210	1652322	SHIM (T.1,78)	1				
C01	6	T46209	1652321	SHIM (T.1,74)	1				
C01	6	T46208	1652320	SHIM (T.1,70)	1				
C01	6	T46207	1652319	SHIM (T.1,66)	1				
C01	6	T46206	1652318	SHIM (T.1,62)	1				
C01	6	T46205	1652317	SHIM (T.1,58)	1				
C01	6	T46204	1652316	SHIM (T.1,54)	1				
C01	6	T46203	1652315	SHIM (T.1,50)	1				
C01	6	T46202	1652314	SHIM (T.1,46)	1				
C01	6	T46201	1652313	SHIM (T.1,42)	1				
C01	6	T46200	1652312	SHIM (T.1,38)	1				

Notes

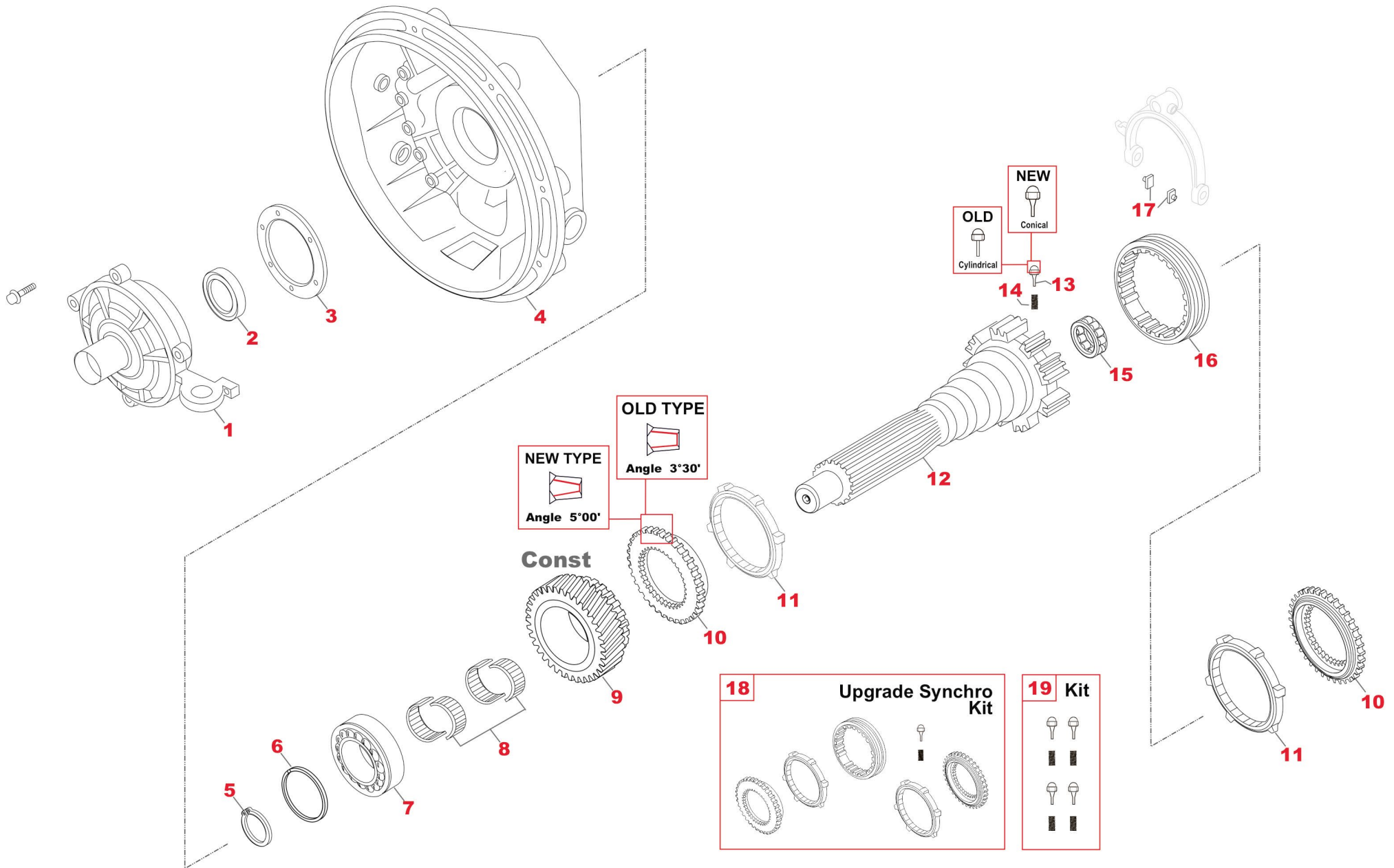
- (A) To be coupled together (Version with 3° 30' Conical Angle)
- (B) To be coupled together (Version with 5° 00' Conical Angle)



TRACTOR AUTOMOBILE SPARES
A WORLD OF QUALITY PARTS



VT2014B



CH	FIG.	TAS no.	OEM no.	Description	Qty	Note	Note1	Ex/ Cross	Ex/ Cross
C01	6	T46199	1652311	SHIM (T.1,34)	1				
C01	6	T46198	1652309	SHIM (T.1,26)	1				
C01	6	T46197	1652308	SHIM (T.1,22)	1				
C01	6	T46196	1652307	SHIM (T.1,18)	1				
C01	6	T46195	1652306	SHIM (T.1,14)	1				
C01	6	T46194	1652300	SHIM (T.0,90)	1				
C01	7	T22669	1656129	TAPERED ROLLER BEARING (70X150X39,8)	1				
C01	8	T46211	1654088	NEEDLE BEARING 2PCS (92X100X27)	1			21652566	1652566
C01	9	T18278	20776783	CONSTANT GEAR (31-28T.)	1			20854441	1521416
C01	10	T18263	1673541	SYNCHRO CONE (54-28T.)	2	(A)	OLD TYPE	21673541	
C01	10	T19359	21994372	SYNCHRO CONE (54-28T.)	2	(B)	NEW TYPE	20760515	
C01	11	T18081	21992993	SYNCHRO RING	2			1521438	8171737
C01	12	T38977	8171556	INPUT SHAFT W/PINS+SPRINGS	1	10 SPLINES	With Kit Fig.19	1673542	20781951
C01	13	T18280	20766774	PRESSURE PLUNGER	4		CONICAL TYPE	1521966	
C01	14	T18279	21140387	SPRING	4			20845477	20771480
C01	15	T23884	1656116	TAPERED ROLLER BEARING (40X38)	1				
C01	16	T19357	1673540	SYNCHRO SLIDING SLEEVE (54T.)	1	(A)	OLD TYPE	21673540	
C01	16	T19358	21994373	SYNCHRO SLIDING SLEEVE (54T.)	1	(B)	NEW TYPE	20760512	

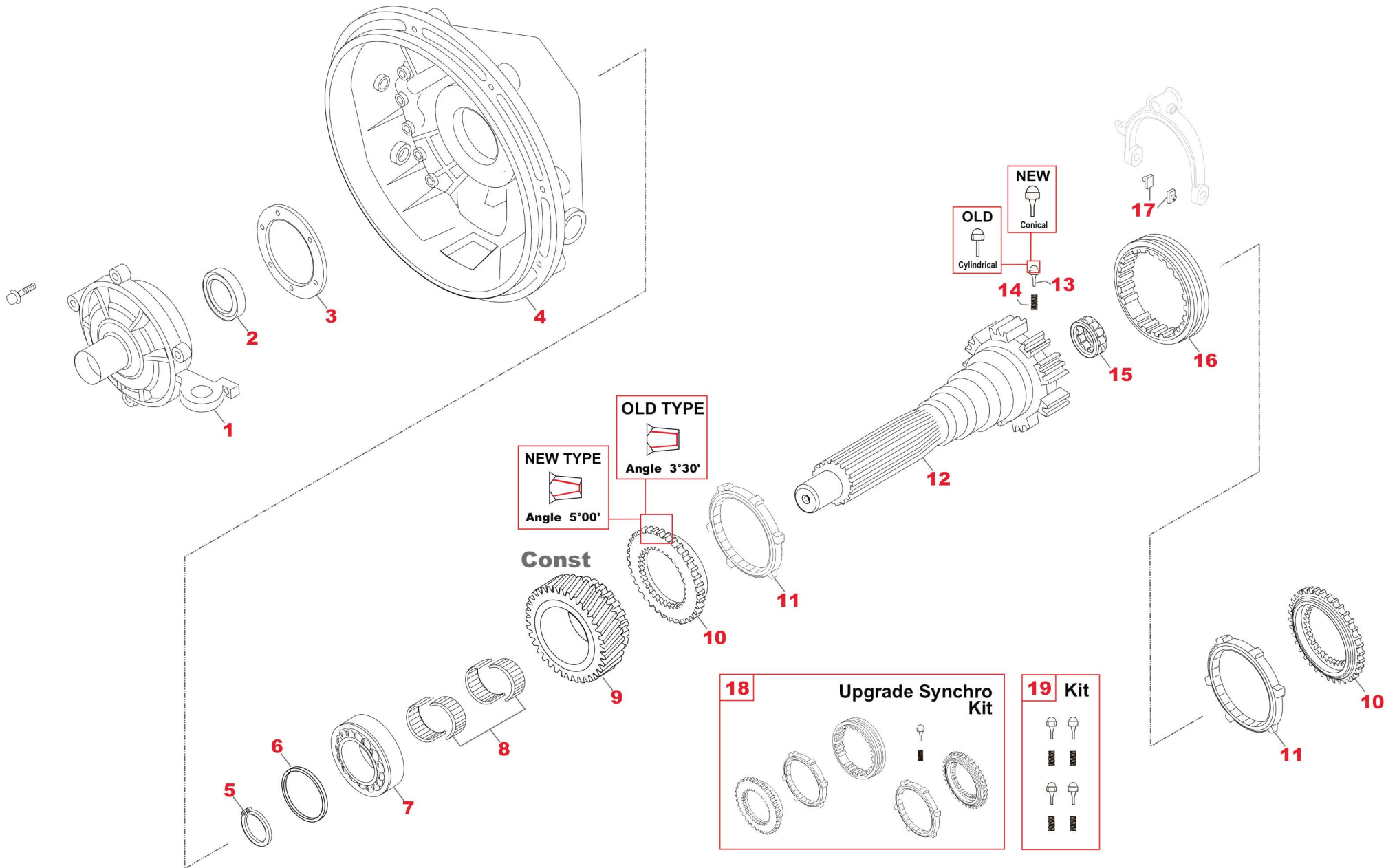
Notes

- (A) To be coupled together (Version with 3° 30' Conical Angle)
(B) To be coupled together (Version with 5° 00' Conical Angle)





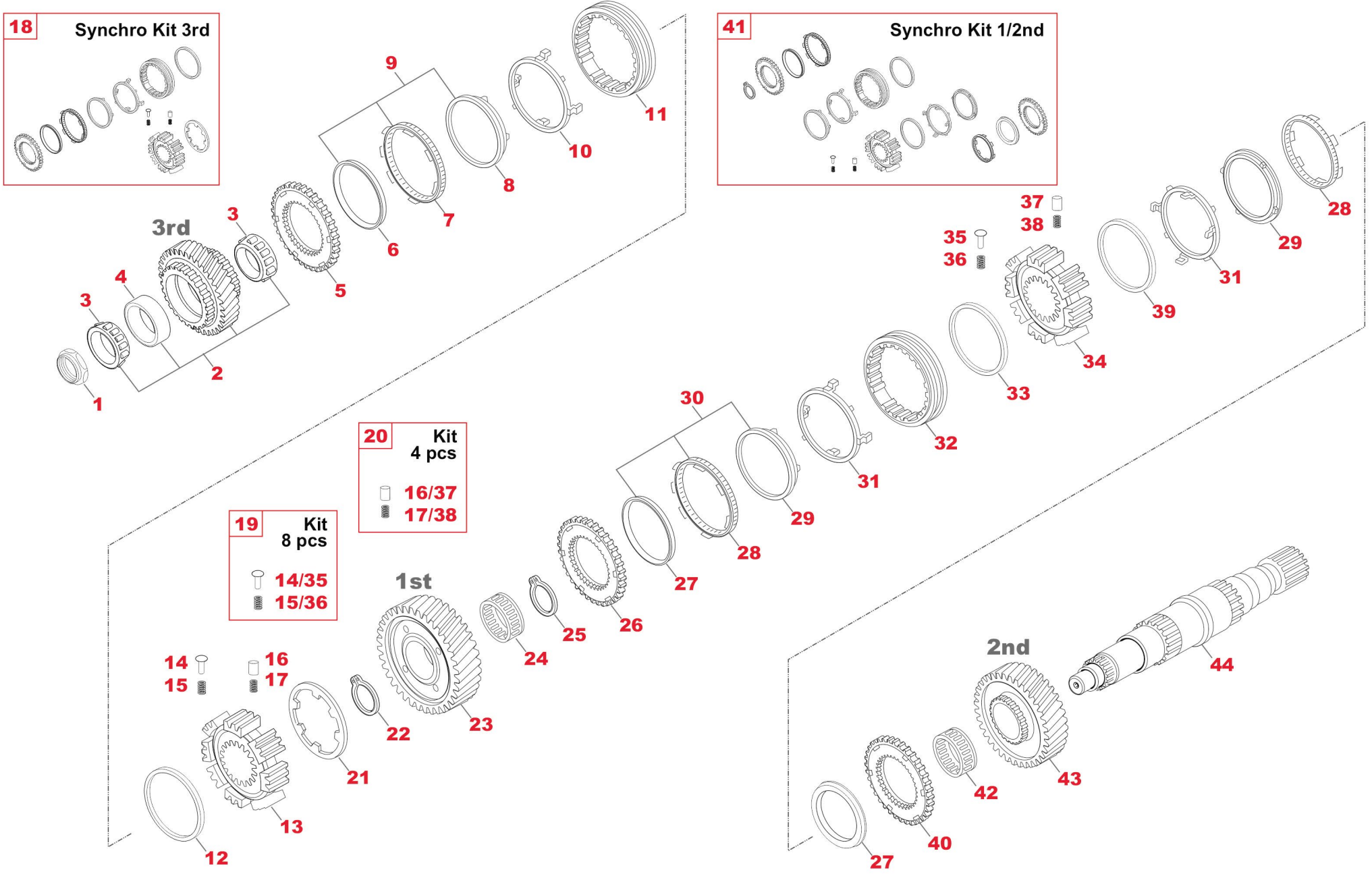
VT2014B





18 Synchro Kit 3rd

41 Synchro Kit 1/2nd



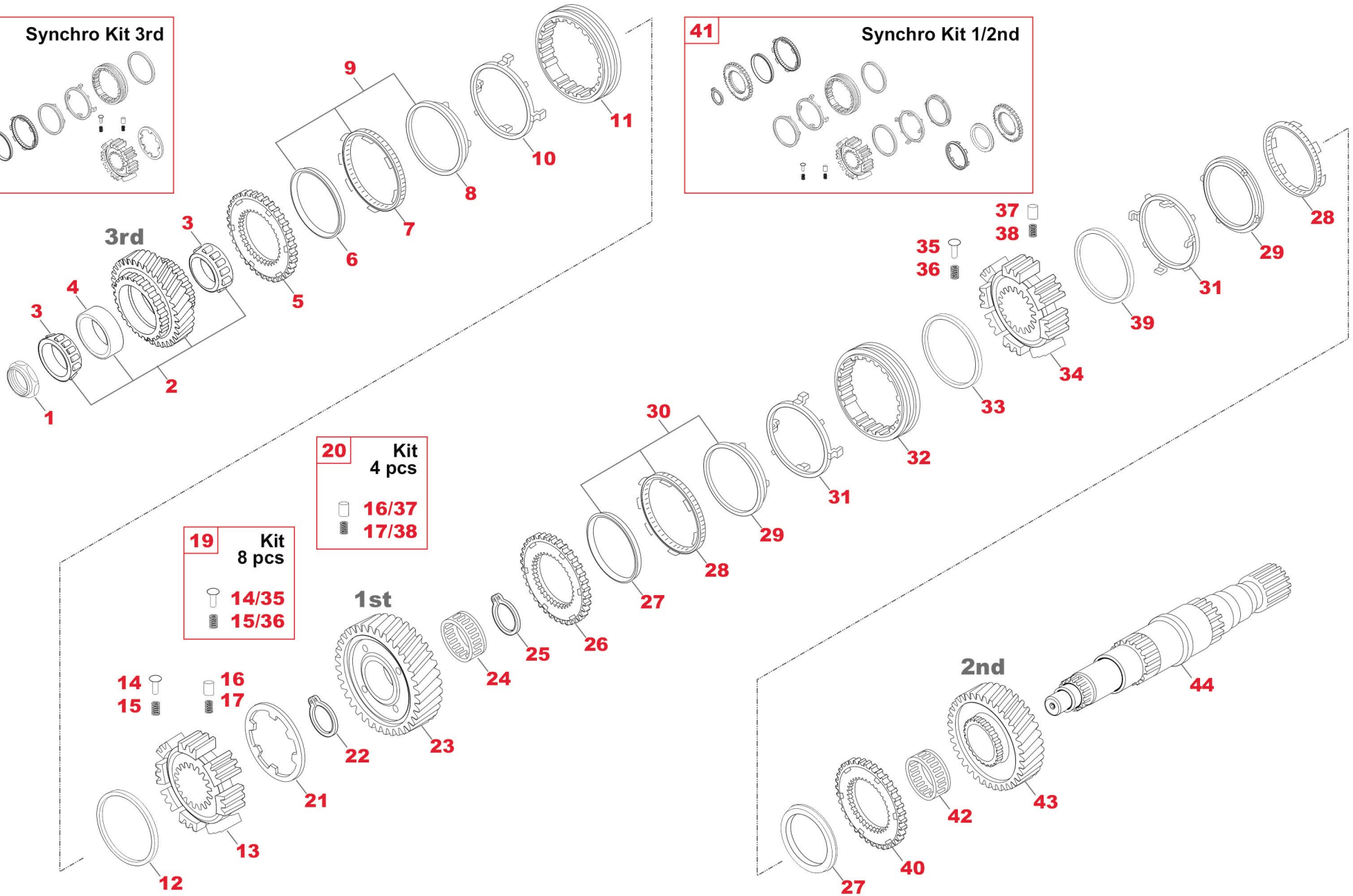
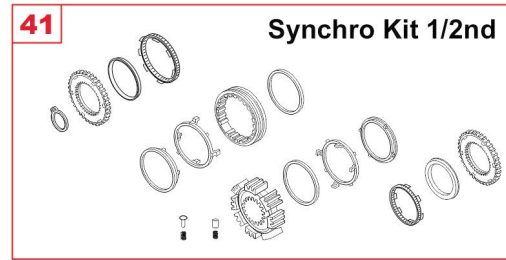
CH	FIG.	TAS no.	OEM no.	Description	Qty	Note	Note1	Ex/ Cross	Ex/ Cross
C02	1	T46216	1521449	NUT M60X2	1				
C02	2	T20622	8172640	3RD SPEED GEAR KIT (28-29-28T.)	1			28172640	
C02	3	T20623	1521596	TAPERED ROLLER BEARING (65X34)	2				
C02	4	T20621	1521657	SPACER (T.10,26)	1				
C02	5	T18082	1521878	SYNCHRO CONE (60-28T.)	1			21521878	
C02	6	T18085	3192951	SYNCHRO RING, INNER	1			1069253	23192951
C02	7	T18079	1069254	SYNCHRO RING, INTERMEDIATE	1			21069254	
C02	8	T18080	1069255	SYNCHRO RING, OUTER	1			21069255	
C02	9	T94388	TAS94388	SYNCHRO RING KIT	1				
C02	10	T38362	1521890	PLATE	1		Mechanical control	21521890	
C02	10	T38363	3192111	PLATE	1		Automatic control		
C02	11	T18308	20478729	SYNCHRO SLIDING SLEEVE (60T.)	1	(C)	Total Height = 31,00 mm	1069257	8172416
C02	11	T70627	21278227	SYNCHRO SLIDING SLEEVE (60T.)	1	(D)	Total Height = 32,00 mm		
C02	12	T38364	1521886	ELASTIC RING	1				
C02	13	T20050	1521979	SYNCHRO HUB (60-37T.)	1	(C)		21521979	
C02	13	T74190	21233970	SYNCHRO HUB (60-37T.)	1	(D)			
C02	14	T38971	20804800	PRESSURE PLUNGER	4			8171413	
C02	15	T38972	20845629	SPRING	4			1069474	

Notes

(C) To be coupled together (Old Sleeve with a Total Height of 31,00 mm) (H) To be coupled together (Old Sleeve with a Total Height of 32,20 mm)
(D) To be coupled together (New Sleeve with a Total Height of 32,00 mm) (L) To be coupled together (New Sleeve with a Total Height of 34,20 mm)



TRACTOR AUTOMOBILE SPARES
A WORLD OF QUALITY PARTS



CH	FIG.	TAS no.	OEM no.	Description	Qty	Note	Note1	Ex/ Cross	Ex/ Cross
C02	16	T38973	1521870	PIN	2				
C02	17	T38974	8172433	SPRING	2			1521942	
C02	18	T41631	TAS41631	3RD SPEED GEAR KIT	1				
C02	19	T38970	20847116	KIT PINS+SPRINGS	1				
C02	20	T75868	1004057	KIT PINS+SPRINGS	1				
C02	21	T46219	8172218	LOCK RING	1				
C02	22	T46220	951080	SEEGER RING (103,54X110X4)	1				
C02	23	T39365	1521413	1ST SPEED GEAR (46-28T.)	1			1521916	21733462
C02	24	T46221	1521465	NEEDLE BEARING (85X93X63)	1			1521453	
C02	25	T46222	1521473	RETAINER RING (T.3,20)	1				
C02	25	T46223	1521474	RETAINER RING (T.3,30)	1				
C02	25	T46224	1521475	RETAINER RING (T.3,40)	1				
C02	25	T46225	1521476	RETAINER RING (T.3,50)	1				
C02	26	T18082	1521878	SYNCHRO CONE (60-28T.)	1			21521878	
C02	27	T18085	3192951	SYNCHRO RING, INNER	2			1069253	23192951
C02	28	T18079	1069254	SYNCHRO RING, INTERMEDIATE	2			21069254	
C02	29	T18080	1069255	SYNCHRO RING, OUTER	2			21069255	
C02	30	T94388	TAS94388	SYNCHRO RING KIT	2				

Notes

(C) To be coupled together (Old Sleeve with a Total Height of 31,00 mm) (H) To be coupled together (Old Sleeve with a Total Height of 32,20 mm)
(D) To be coupled together (New Sleeve with a Total Height of 32,00 mm) (L) To be coupled together (New Sleeve with a Total Height of 34,20 mm)

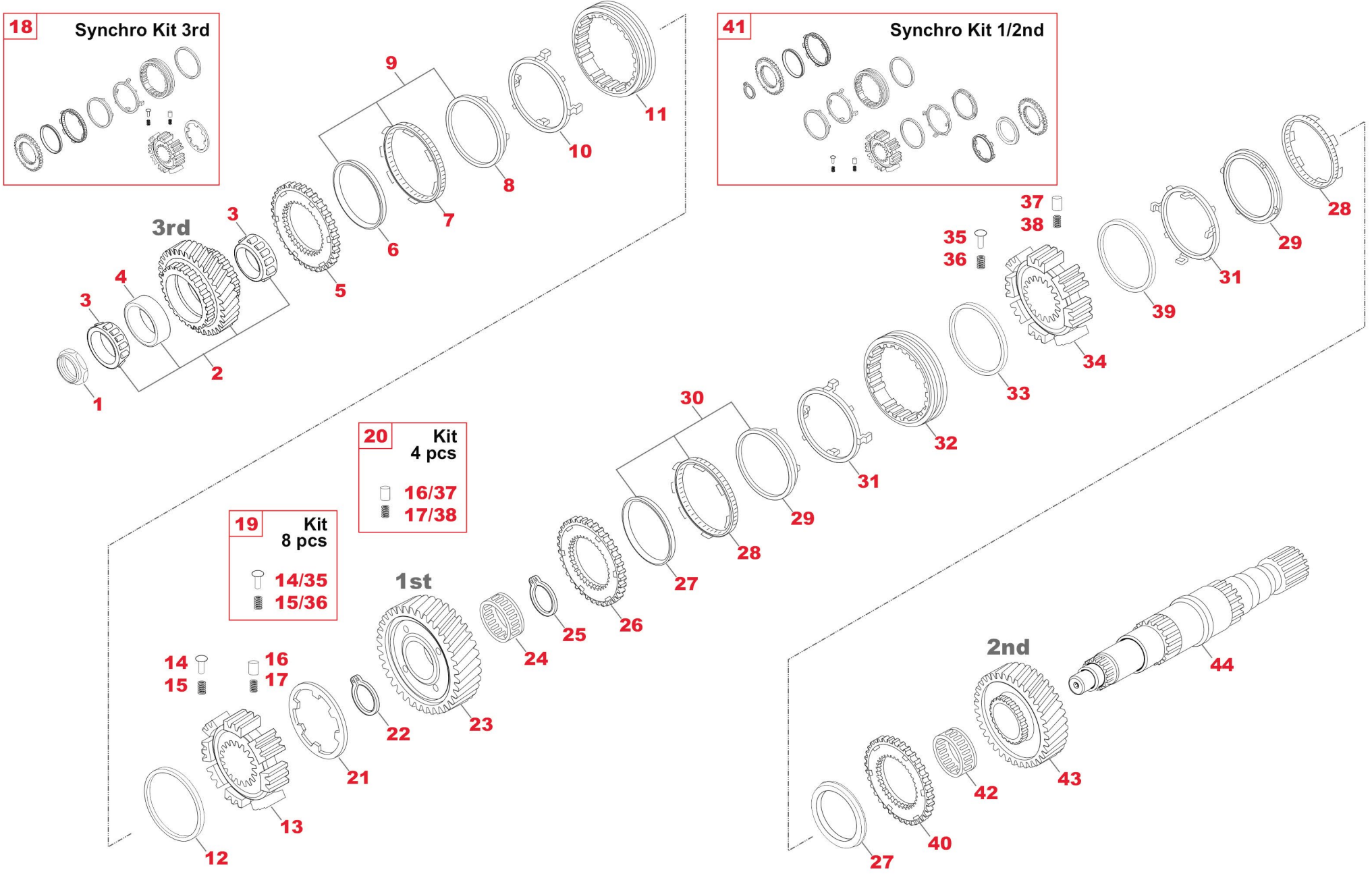


TRACTOR AUTOMOBILE SPARES
A WORLD OF QUALITY PARTS



18 Synchro Kit 3rd

41 Synchro Kit 1/2nd



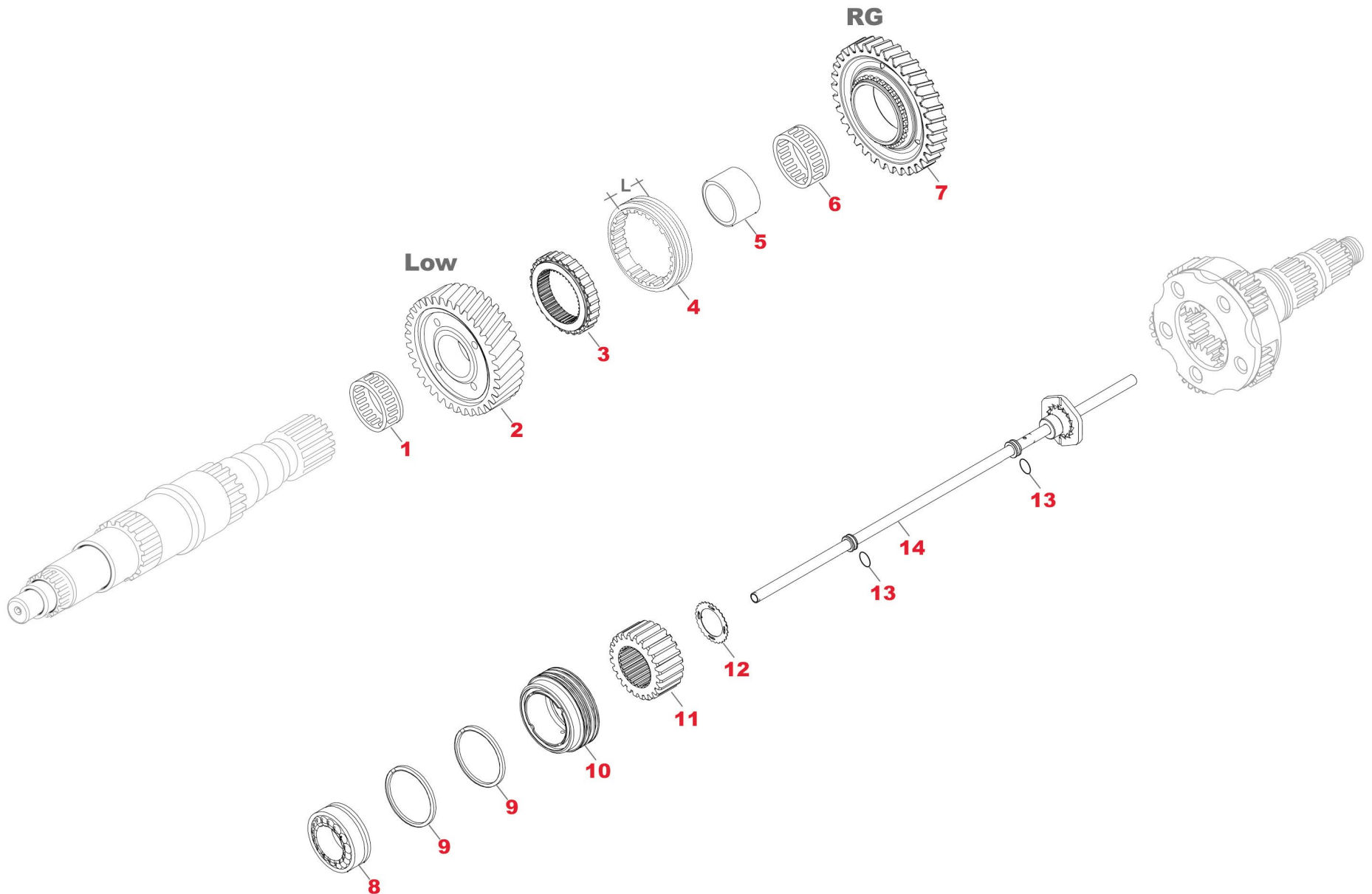
CH	FIG.	TAS no.	OEM no.	Description	Qty	Note	Note1	Ex/ Cross	Ex/ Cross
C02	31	T38362	1521890	PLATE	2		Mechanical control	21521890	
C02	31	T38363	3192111	PLATE	2		Automatic control		
C02	32	T18281	20588775	SYNCHRO SLIDING SLEEVE (60T.)	1	(H)	Total Height = 32,20 mm	1069256	20478726
C02	32	T74191	21278223	SYNCHRO SLIDING SLEEVE (60T.)	1	(L)	Total Height = 34,20 mm		
C02	33	T46226	20588777	ELASTIC RING	1			1521826	8171735
C02	34	T38358	20858492	SYNCHRO HUB (60-45T.)	1	(H)		1521920	20588772
C02	34	T74188	21233969	SYNCHRO HUB (60-45T.)	1	(L)			
C02	35	T38971	20804800	PRESSURE PLUNGER	4			8171413	
C02	36	T38972	20845629	SPRING	4			1069474	
C02	37	T38973	1521870	PIN	2				
C02	38	T38974	8172433	SPRING	2			1521942	
C02	39	T46227	1069888	ELASTIC RING	1			1521827	
C02	40	T38357	1521879	SYNCHRO CONE (60-32T.)	1			21521879	
C02	41	T51089	20907441	SYNCHRO KIT 1ST-2ND SPEED VOLVO VT-VTO	1			20877136	
C02	42	T46228	1521452	NEEDLE BEARING (95X103X60)	1				
C02	43	T38976	1521917	2ND SPEED GEAR (39-32T.)	1			1521414	21521414
C02	44	T38975	1521406	MAIN SHAFT (37-45-42-28T.)	1			21521406	

Notes

(C) To be coupled together (Old Sleeve with a Total Height of 31,00 mm) (H) To be coupled together (Old Sleeve with a Total Height of 32,20 mm)
(D) To be coupled together (New Sleeve with a Total Height of 32,00 mm) (L) To be coupled together (New Sleeve with a Total Height of 34,20 mm)



TRACTOR AUTOMOBILE SPARES
A WORLD OF QUALITY PARTS



CH	FIG.	TAS no.	GEM no.	Description	Qty	Note	Note1	Ex/ Cross	Ex/ Cross
C03	1	T46230	1652575	NEEDLE BEARING (90X98X45,5)	1				
C03	2	T46231	1521909	LOW SPEED GEAR (38-28T.)	1				
C03	3	T46233	1521939	SYNCHRO HUB	1	(E)	Old Type		
C03	3	T46234	20366735	SYNCHRO HUB (28-42T.)	1	(F)	New Type		
C03	4	T46235	3192251	SYNCHRO SLIDING SLEEVE	1	(E)	Old Type		
C03	4	T38356	20366826	SYNCHRO SLIDING SLEEVE (28T.)	1	(F)	New Type L = 27,00 mm		
C03	4	T74192	21311067	SYNCHRO SLIDING SLEEVE (28T.)	1	(F)	Latest Type L = 29,00 mm		
C03	5	T43845	1652578	BUSH (90X80X46,2)	1			21652578	
C03	6	T46230	1652575	NEEDLE BEARING (90X98X45,5)	1				
C03	7	T46236	3152722	REVERSE GEAR (34-28T.)	1			1521908	23152722
C03	8	T22669	1656129	TAPERED ROLLER BEARING (70X150X39,8)	1				
C03	9	T46237	1652820	RING (T.4,50)	2			22328752	
C03	10	T43847	1656232	SPACER	1			21656232	
C03	11	T43849	1521910	SUN GEAR (24T.-28 SPL.)	1			1656226	
C03	12	T46238	20944716	WASHER	1			1652688	
C03	13	T46239	949656	O-RING (19X3)	2			925059	
C03	14	T46240	1656264	OIL PIPE	1			21656264	

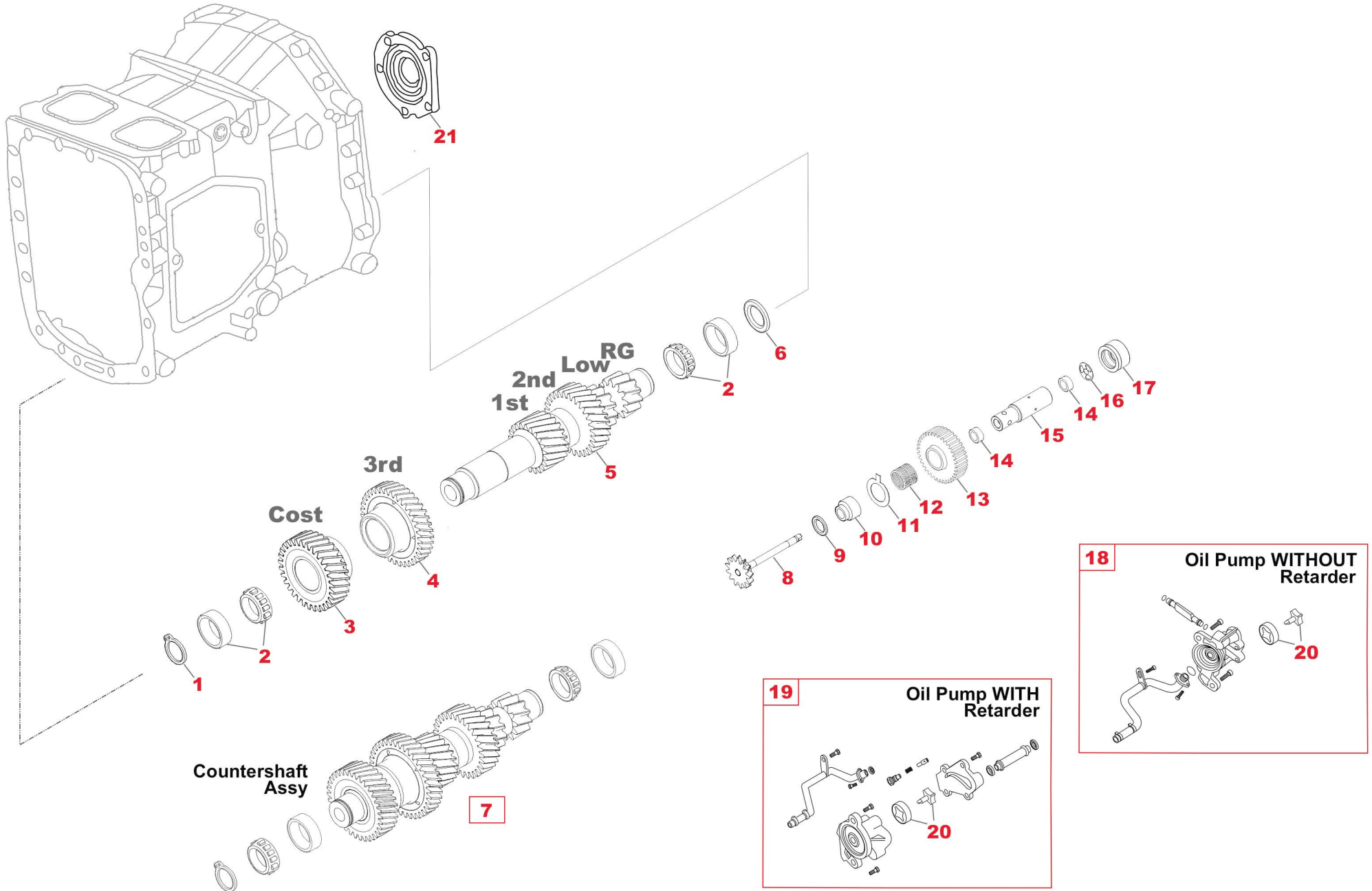
Notes

(E) Old Type -To be coupled together (The Old version could be replaced by 1 pcs Fig.3 + 1 Pc. Fig 4 New Type or Latest Type together)

(F) New and Latest Type - To be coupled together



TRACTOR AUTOMOBILE SPARES
A WORLD OF QUALITY PARTS

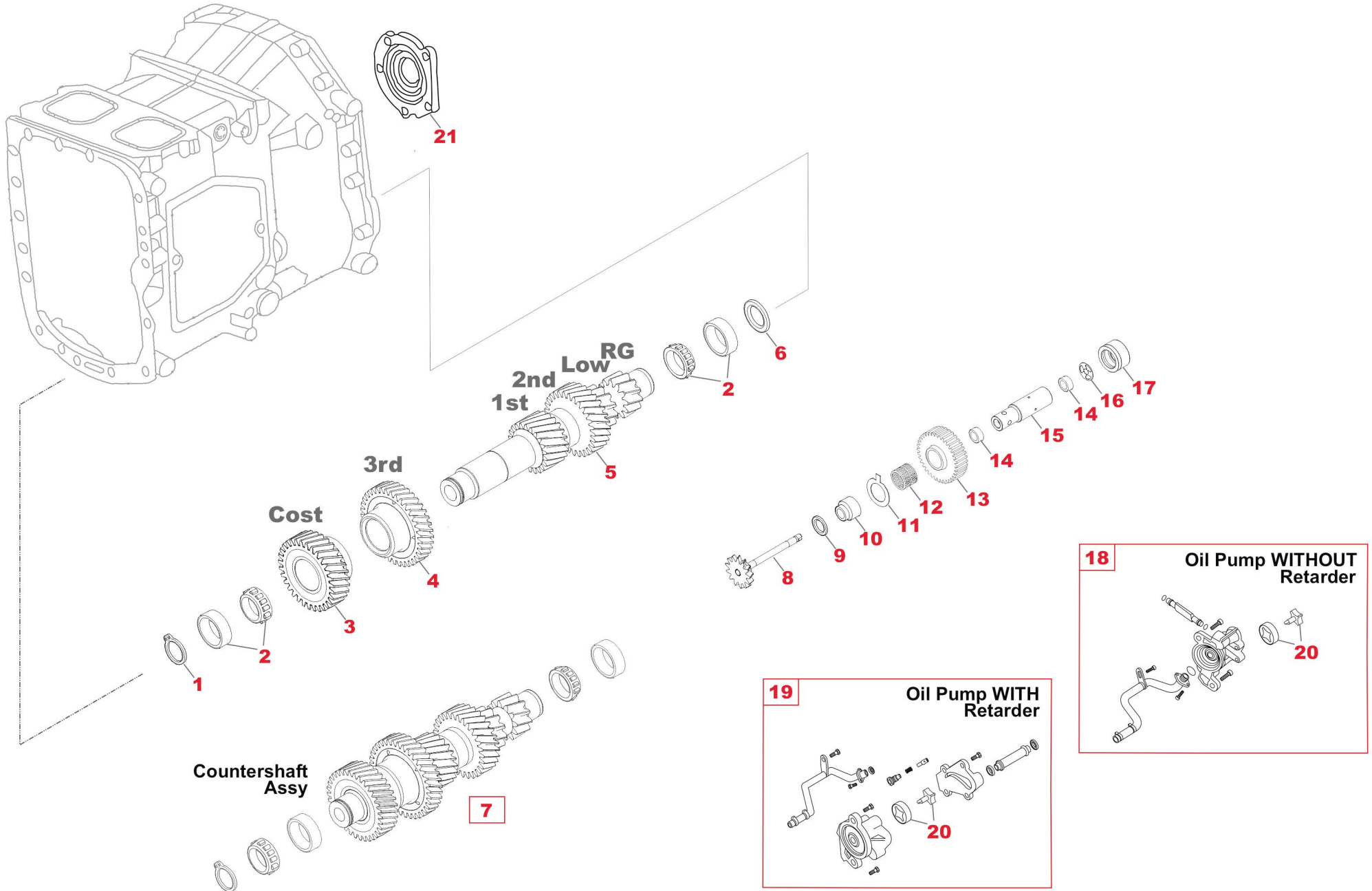


CH	FIG.	TAS no.	GEM no.	Description	Qty	Note	Note1	Ex/ Cross	Ex/ Cross
C04	1	T47087	1652801	SEEGER RING (T.2,50)	1				
C04	1	T46246	1652800	SEEGER RING (T.2,40)	1				
C04	1	T47088	1652799	SEEGER RING (T.2,30)	1				
C04	1	T46245	1652798	SEEGER RING (T.2,20)	1				
C04	1	T47089	1652797	SEEGER RING (T.2,10)	1				
C04	1	T46244	1652796	SEEGER RING (T.2,00)	1				
C04	2	T37661	21627792	TAPERED ROLLER BEARING (60X110X38)	2			183665	1652563
C04	3	T18083	1521913	CONSTANT GEAR CNTRSHFT (44T.)	1			1521422	20854437
C04	4	T18084	1521914	3RD SPEED GEAR CNTRSHFT (33T.)	1			1521421	20854435
C04	5	T19206	1521930	COUNTERSHAFT (12-12-29-22T.)	1				
C04	6	T55926	25640724	WASHER (T.1,86)	1				
C04	6	T55927	25640723	WASHER (T.1,82)	1				
C04	6	T55928	25640722	WASHER (T.1,78)	1				
C04	6	T55929	25640721	WASHER (T.1,74)	1				
C04	6	T55931	25640719	WASHER (T.1,66)	1				
C04	6	T55932	25640718	WASHER (T.1,62)	1				
C04	6	T55933	25640717	WASHER (T.1,58)	1				
C04	6	T55934	25640716	WASHER (T.1,54)	1				

Notes



TRACTOR AUTOMOBILE SPARES
A WORLD OF QUALITY PARTS

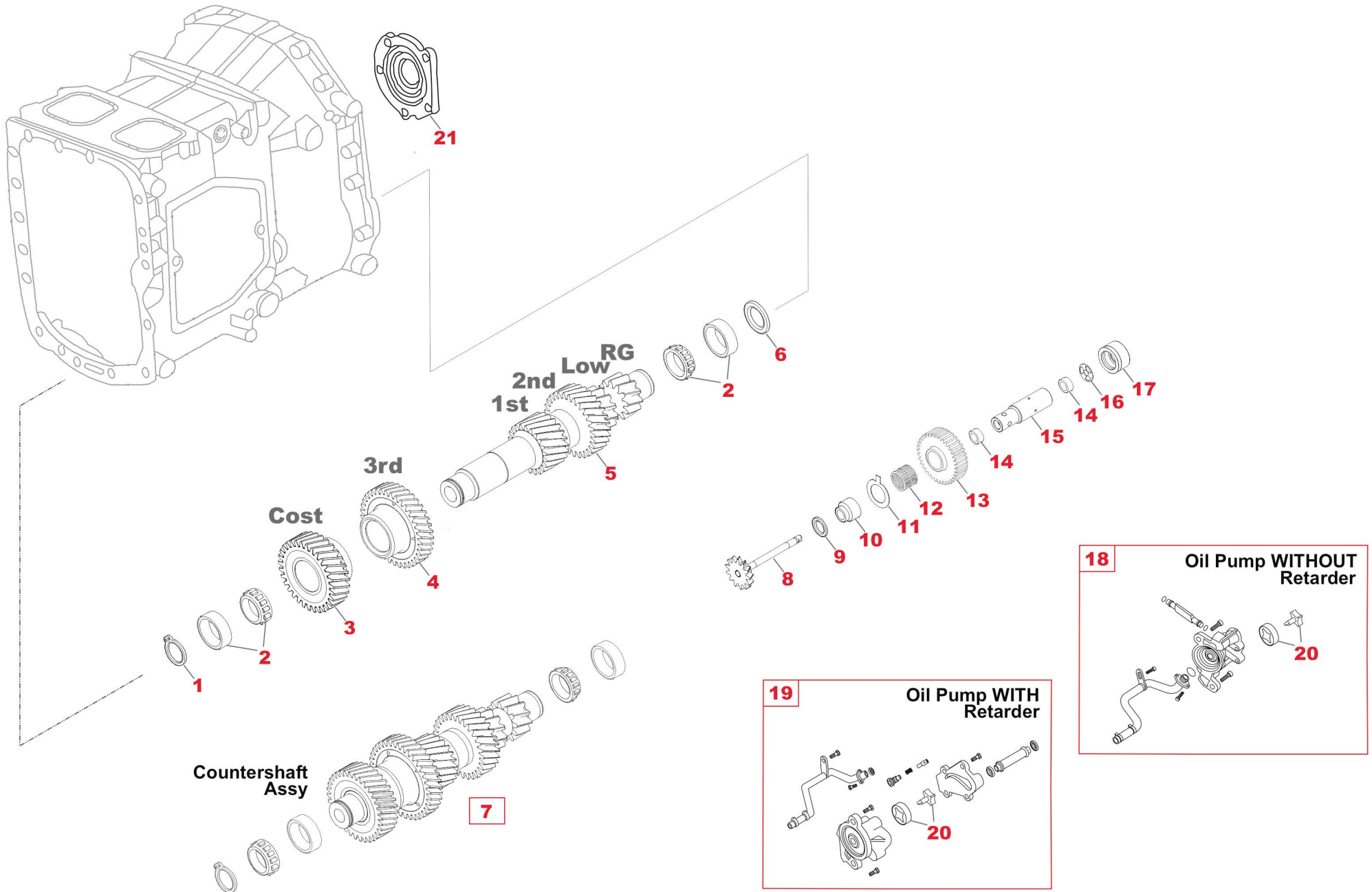


CH	FIG.	TAS no.	GEM no.	Description	Qty	Note	Note1	Ex/ Cross	Ex/ Cross
C04	6	T55935	25640715	WASHER (T.1,50)	1				
C04	6	T55936	25640714	WASHER (T.1,46)	1				
C04	6	T55937	25640713	WASHER (T.1,42)	1				
C04	6	T55938	25640700	WASHER (T.0,90)	1				
C04	7	T94152	TAS94152	REPAIR KIT FOR VT2014B	1				
C04	8	T46264	3192293	OIL PUMP SHAFT (13T.)	1				
C04	9	T46265	1652841	WASHER	1				
C04	10	T46266	1652631	BUSH	1				
C04	11	T46267	1652176	WASHER	1				
C04	12	T46268	1652581	NEEDLE BEARING (42X50X30)	1			21652581	
C04	13	T46269	1521423	REVERSE GEAR (20T.)	1				
C04	14	T46270	183363	NEEDLE BEARING (14X20X12)	2				
C04	15	T46271	20366756	PIVOT REVERSE	1			1652538	
C04	16	T46272	1652948	LOCK RING	1				
C04	17	T46273	1652884	SPACER	1			21652884	
C04	18	T46274	1521900	OIL PUMP	1		Model W/OUT Retarder		
C04	19	T46281	1673452	OIL PUMP	1		Model WITH Retarder	1656267	
C04	20	T46280	1521787	OIL PUMP REPAIR KIT	1			1652671	

Notes

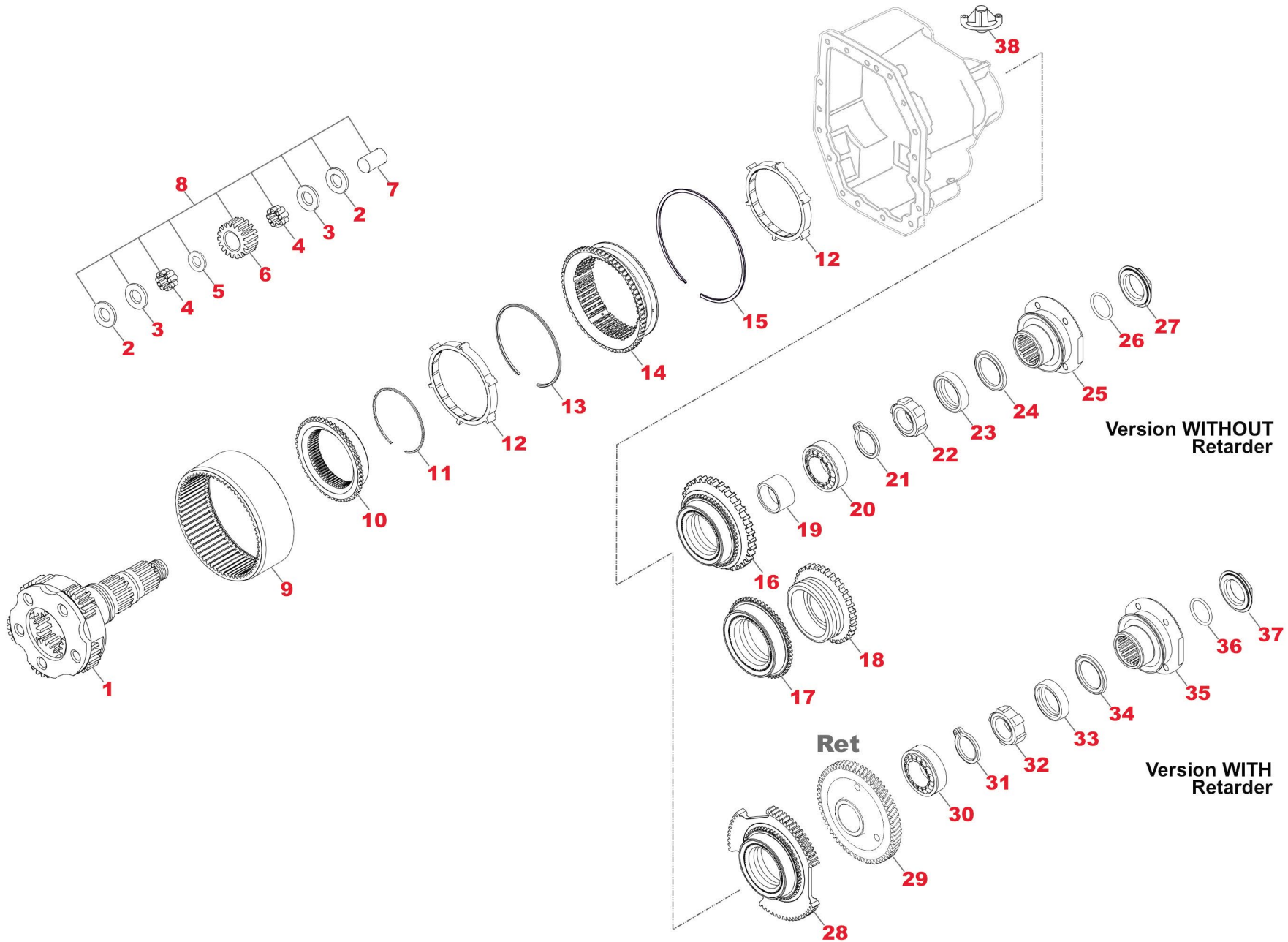


TRACTOR AUTOMOBILE SPARES
A WORLD OF QUALITY PARTS





VT2014B



CH	FIG.	TAS no.	OEM no.	Description	Qty	Nota	Note1	Ex/ Cross	Ex/ Cross
C05	1	T46295	1673844	PLANETARY CARRIER W/GEARS	1	ASSY	Models W/OUT Retarder		
C05	1	T46294	1673842	PLANETARY CARRIER W/GEARS	1	ASSY	Models WITH Retarder	21050687	
C05	2	T46284	8171167	WASHER BRONZE (T.1,00)	10			1522390	
C05	3	T46285	8171165	WASHER IRON (T.1,00)	10			1522389	
C05	4	T46286	1656113	NEEDLE ROLLER (Ø6X18,9)	200				
C05	5	T46287	267375	SPACER (44,3X36X1,95)	5				
C05	6	T46288	1656208	PLANETARY GEAR (19T.)	5			1521911	
C05	7	T46290	1654054	PIVOT	5				
C05	8	T43839	85107014	PLANETARY REPAIR KIT	1		Kit composed by 5 Units	20276115	276115
C05	9	T43843	1656209	RING GEAR (66T.)	1			22428072	21656209
C05	10	T43814	1668452	SYNCHRO CONE (54-65T.)	1			21668452	
C05	11	T46300	943760	BLOCKING RING	1				
C05	12	T43816	1668456	SYNCHRO RING	2			1668454	1668455
C05	13	T46301	1668459	BLOCKING RING	1				
C05	14	T43740	1068946	SYNCHRO SLIDING SLEEVE (66-54T.)	1			1668458	21068946
C05	15	T46302	8171420	BLOCKING RING	1			1654062	
C05	16	T43812	21235526	SYNCHRO CONE (54T.)	1	Old Type		1668450	21668450
C05	17	T94024	21170063	SYNCHRO CONE (54T.)	1	New Type			

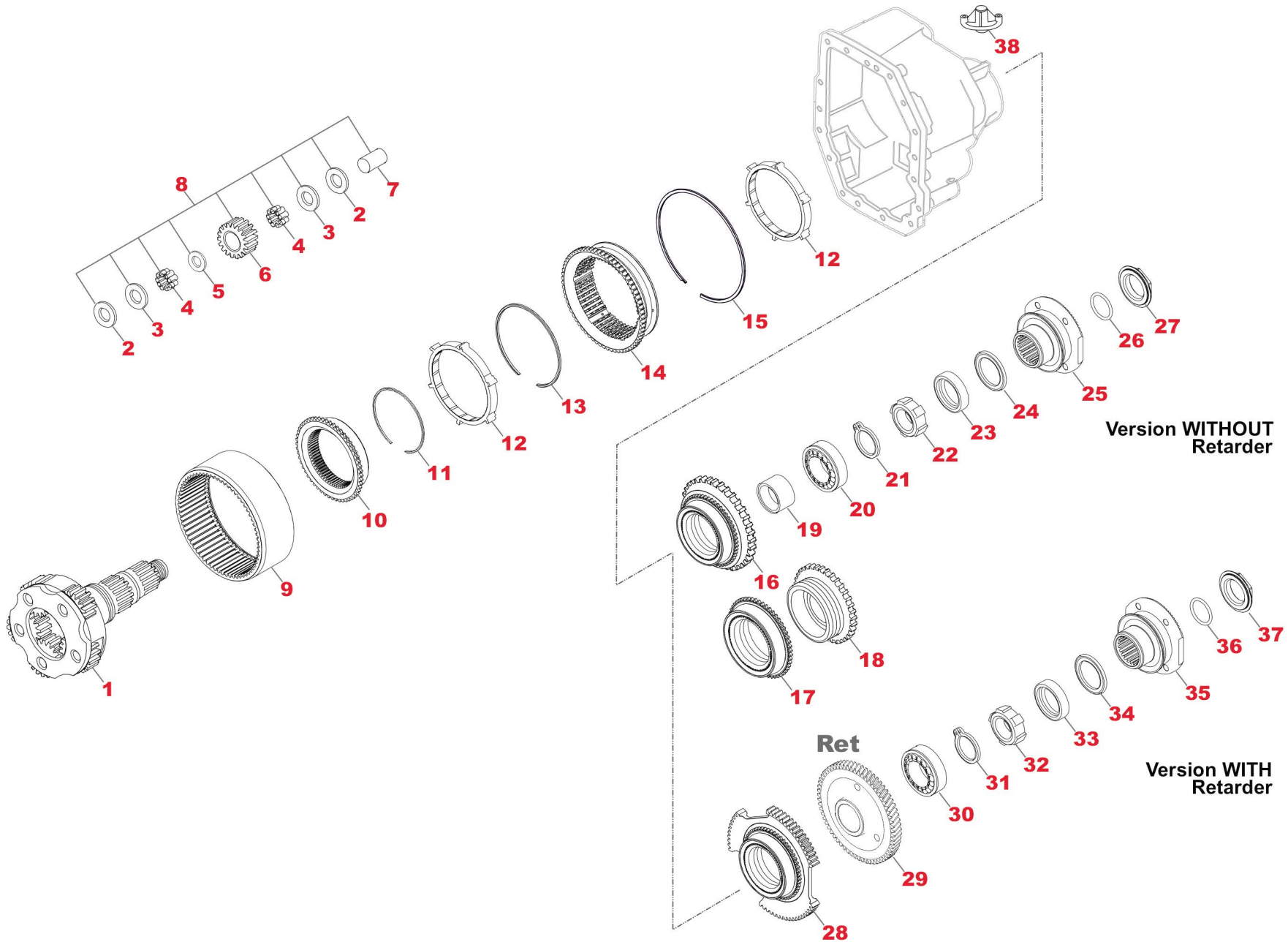
Notes



TRACTOR AUTOMOBILE SPARES
A WORLD OF QUALITY PARTS



VT2014B



CH	FIG.	TAS no.	OEM no.	Description	Qty	Note	Note1	Ex/ Cross	Ex/ Cross
C05	18	T94022	21170061	COUPLING RING	1	New Type			
C05	19	T46304	1669997	BUSH	1		Single Power Steering		
C05	19	T46987	20471104	BUSH	1		Double Power Steering		
C05	20	T46306	21170624	BALL BEARING (70X140X26)	1			21001091	1652604
C05	21	T46308	914556	LOCK RING (T.4,00)	1				
C05	21	T46311	1652804	LOCK RING (T.3,90)	1				
C05	21	T46310	1652803	LOCK RING (T.3,80)	1				
C05	21	T46309	1652802	LOCK RING (T.3,70)	1				
C05	22	T46312	3191944	WHEEL SENSOR	1		Single Power Steering		
C05	22	T46988	1521751	WHEEL SENSOR	1		Double Power Steering		
C05	23	T38580	1652776	OIL SEAL RING (90X145X10)	1				
C05	24	T46316	1652622	OIL SEAL RING (90X111X6/8)	1			1523124	
C05	25	T46318	8172618	FLANGE OUTPUT	1		Single Power Steering		
C05	25	T46989	8172620	FLANGE OUTPUT	1		Double Power Steering		
C05	26	T46320	976053	O-RING (59X70,4X5,7)	1				
C05	27	T46322	8171338	NUT (M60X2)	1			1672160	8171956
C05	28	T46323	1672262	SYNCHRO CONE (45T.)	1				
C05	29	T46324	1521257	RETARDER GEAR (63T.)	1				

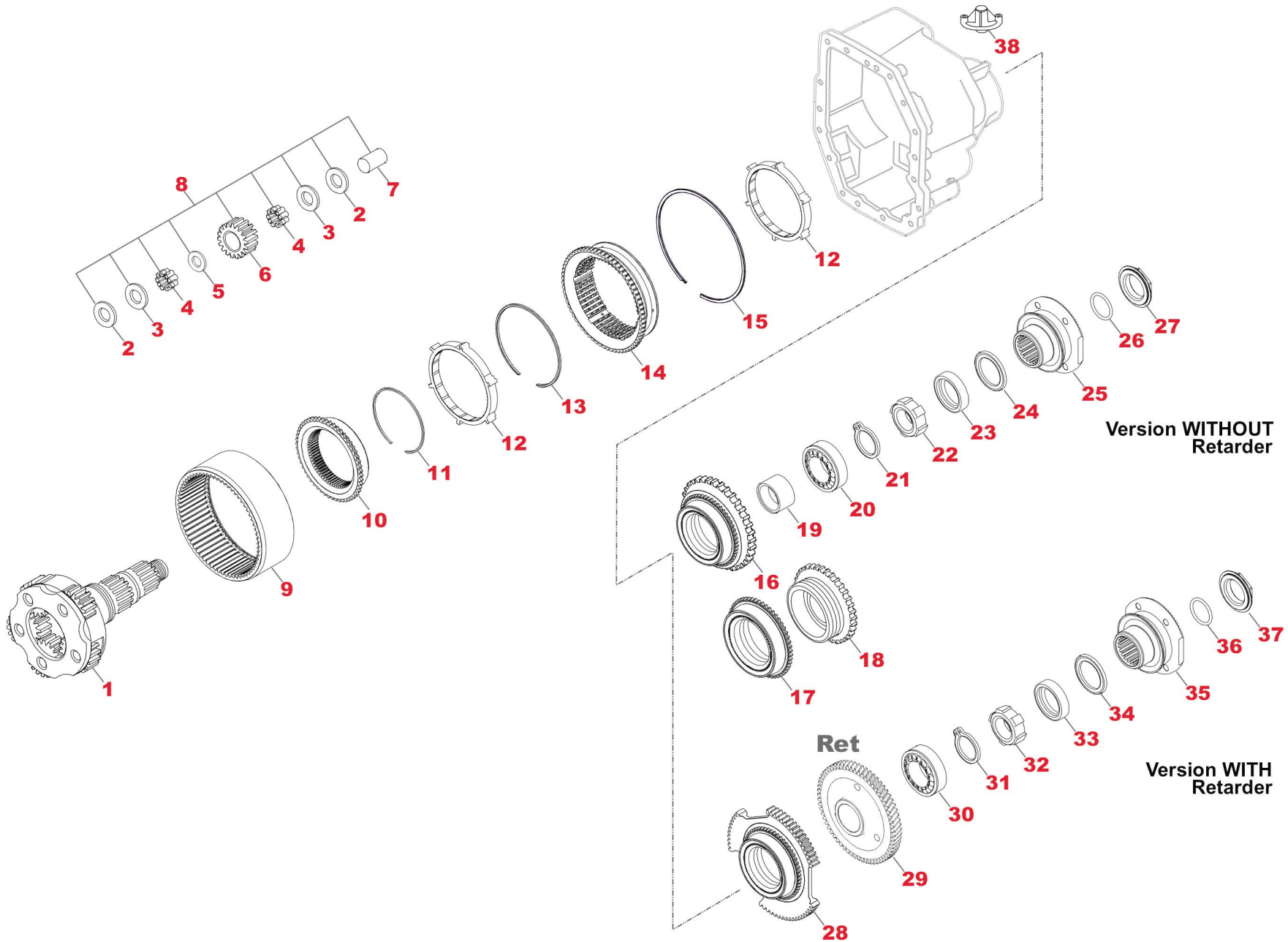
Notes



TRACTOR AUTOMOBILE SPARES
A WORLD OF QUALITY PARTS



VT2014B



CH	FIG.	TAS no.	OEM no.	Description	Qty	Note	Note1	Ex/ Cross	Ex/ Cross
C05	30	T46306	21170624	BALL BEARING (70X140X26)	1			21001091	1652604
C05	31	T46308	914556	LOCK RING (T.4,00)	1				
C05	31	T46311	1652804	LOCK RING (T.3,90)	1				
C05	31	T46310	1652803	LOCK RING (T.3,80)	1				
C05	31	T46309	1652802	LOCK RING (T.3,70)	1				
C05	32	T46312	3191944	WHEEL SENSOR	1				
C05	33	T38580	1652776	OIL SEAL RING (90X145X10)	1				
C05	34	T46316	1652622	OIL SEAL RING (90X111X6/8)	1			1523124	
C05	35	T46327	8172622	FLANGE OUTPUT	1				
C05	36	T46320	976053	O-RING (59X70,4X5,7)	1				
C05	37	T46322	8171338	NUT (M60X2)	1			1672160	8171956
C05	38	T85510	8172165	COVER	1			8172068	

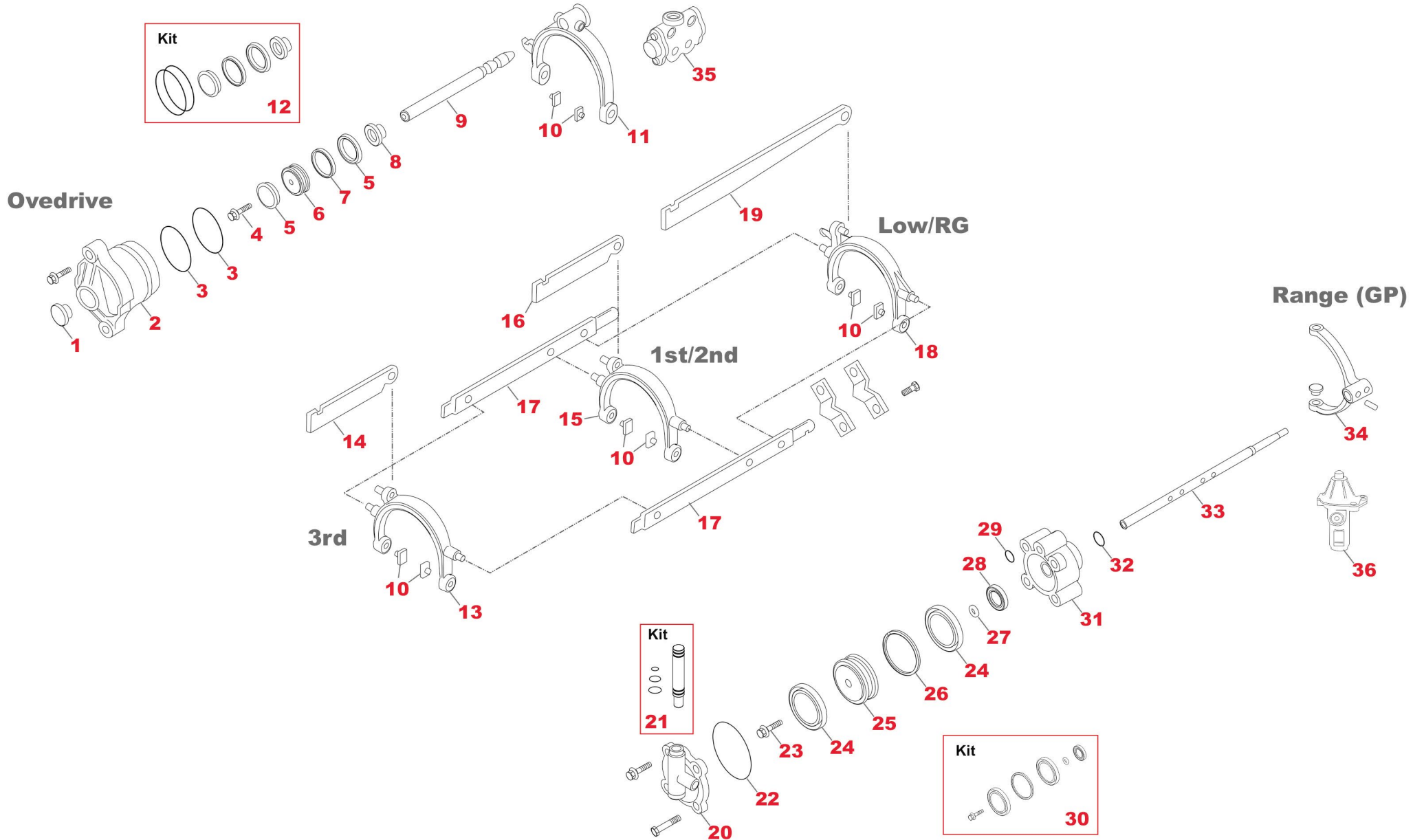
Notes



TRACTOR AUTOMOBILE SPARES
A WORLD OF QUALITY PARTS



VT2014B



CH	FIG.	TAS no.	OEM no.	Description	Qty	Note	Note1	Ex/ Cross	Ex/ Cross
C06	1	T78265	20366642	PLUG	1				
C06	2	T59436	1521976	CYLINDER	1			1521587	
C06	3	T51081	976044	O-RING (70X3)	2				
C06	4	T78266	984756	SCREW	1			979864	965186
C06	5	T47148	1669537	OIL SEAL RING (52X64X4,8)	2				
C06	6	T80294	3150146	PISTON	1	(S)	Old Type 9,10 mm		
C06	6	T78267	20761838	PISTON	1	(T)	New Type 8,50 mm		
C06	7	T51083	1069418	SEAL RING (63X59,9X8)	1				
C06	8	T51084	3192302	OIL SEAL RING	1				
C06	9	T78625	1521524	TIE ROD	1	(S)	Old Type		
C06	9	T73103	20761839	TIE ROD	1	(T)	New Type		
C06	10	T10001	382565	SLIDING BLOCK (BRONZE)	8				
C06	11	T46217	1521934	FORK	1				
C06	12	T50210	3092575	OIL SEALS RING KIT	1				
C06	13	T46241	1521517	FORK	1				
C06	14	T41582	1521519	TIE ROD	1				
C06	15	T46242	1521523	FORK	1				
C06	16	T41580	1521516	TIE ROD	1				

Notes

(S) To be coupled together (Old Version with 9,10 mm Piston)

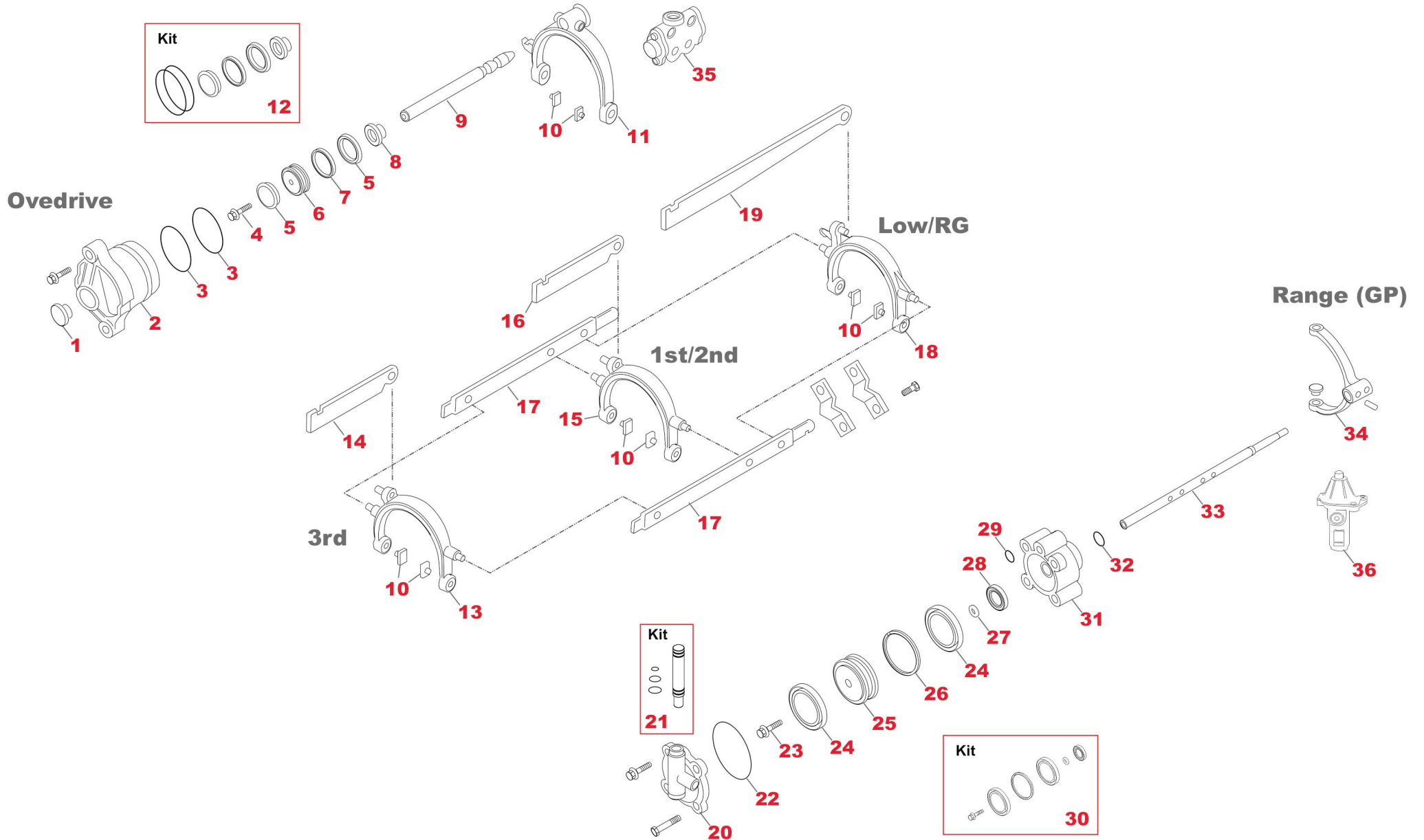
(T) To be coupled together (New Version with 8,50 mm Piston)



TRACTOR AUTOMOBILE SPARES
A WORLD OF QUALITY PARTS



VT2014B



CH	FIG.	TAS no.	OEM no.	Description	Qty	Note	Note1	Ex/ Cross	Ex/ Cross
C06	17	T41579	1521935	TIE ROD	2				
C06	18	T46243	1521932	FORK REVERSE	1				
C06	19	T41581	1521936	TIE ROD	1				
C06	20	T55939	21450362	VALVE	1			20590252	20366720
C06	21	T48443	3092513	REPAIR KIT	1				
C06	22	T55941	3094588	O-RING	1				
C06	23	T78266	984756	SCREW	1			979864	965186
C06	24	T47328	3192614	OIL SEAL RING (91X74,8X5,5)	2				
C06	25	T47345	1521943	PISTON	1				
C06	26	T47369	20365523	SEAL RING	1				
C06	27	T47341	466922	O-RING (12,3X2,4)	1				
C06	28	T47359	1652751	OIL SEAL RING (28X39X9/11)	1				
C06	29	T47153	968617	O-RING (7,1X1,6)	1				
C06	30	T47348	3093230	OIL SEALS RING KIT	1			3092050	276820
C06	31	T47057	1656239	CYLINDER	1				
C06	32	T47342	949659	O-RING (34X3)	1				
C06	33	T48268	1521944	TIE ROD	1		Models W/OUT Retarder		
C06	33	T55942	1521956	TIE ROD	1		Models WITH Retarder		

Notes

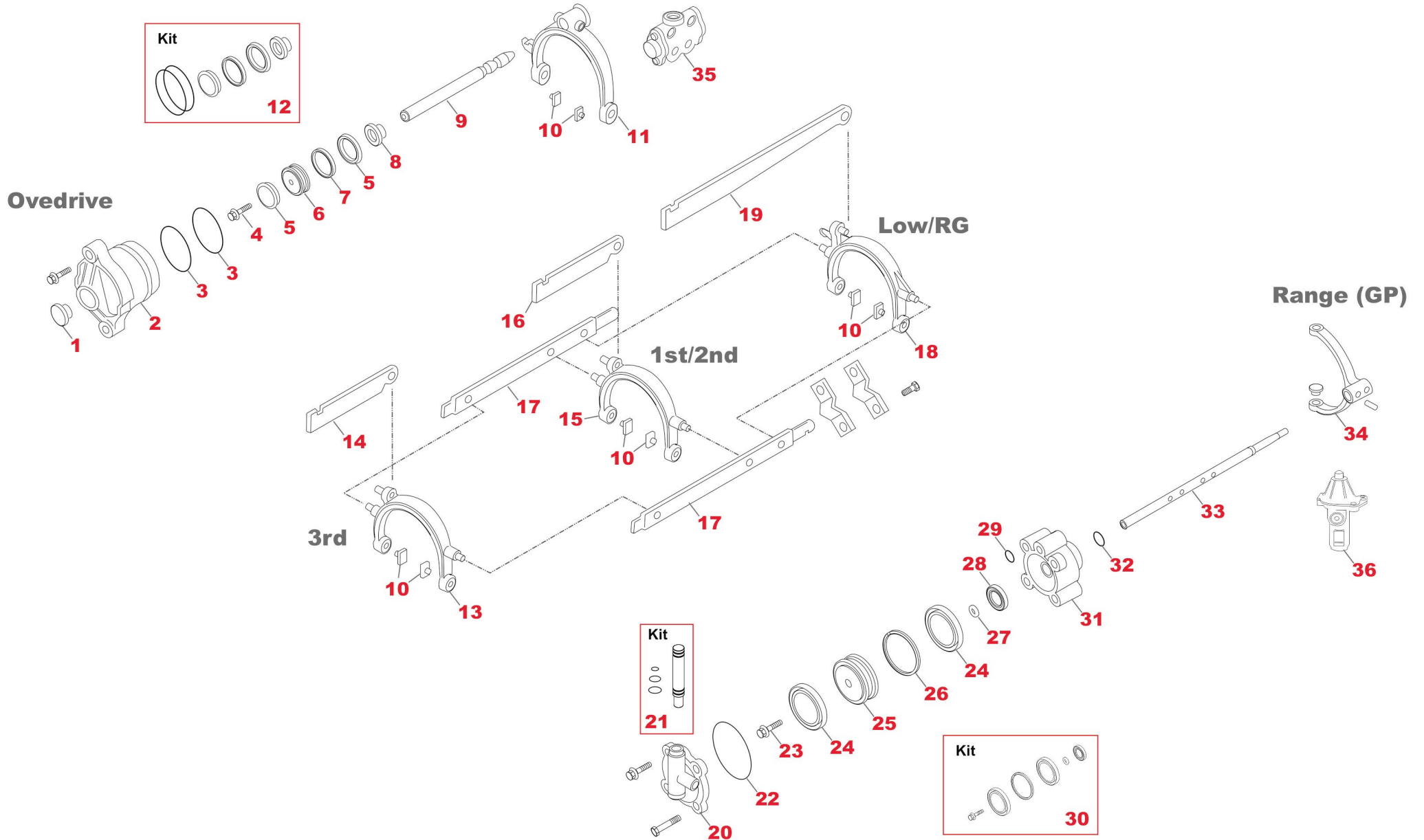
- (S) To be coupled together (Old Version with 9,10 mm Piston)
(T) To be coupled together (New Version with 8,50 mm Piston)



TRACTOR AUTOMOBILE SPARES
A WORLD OF QUALITY PARTS

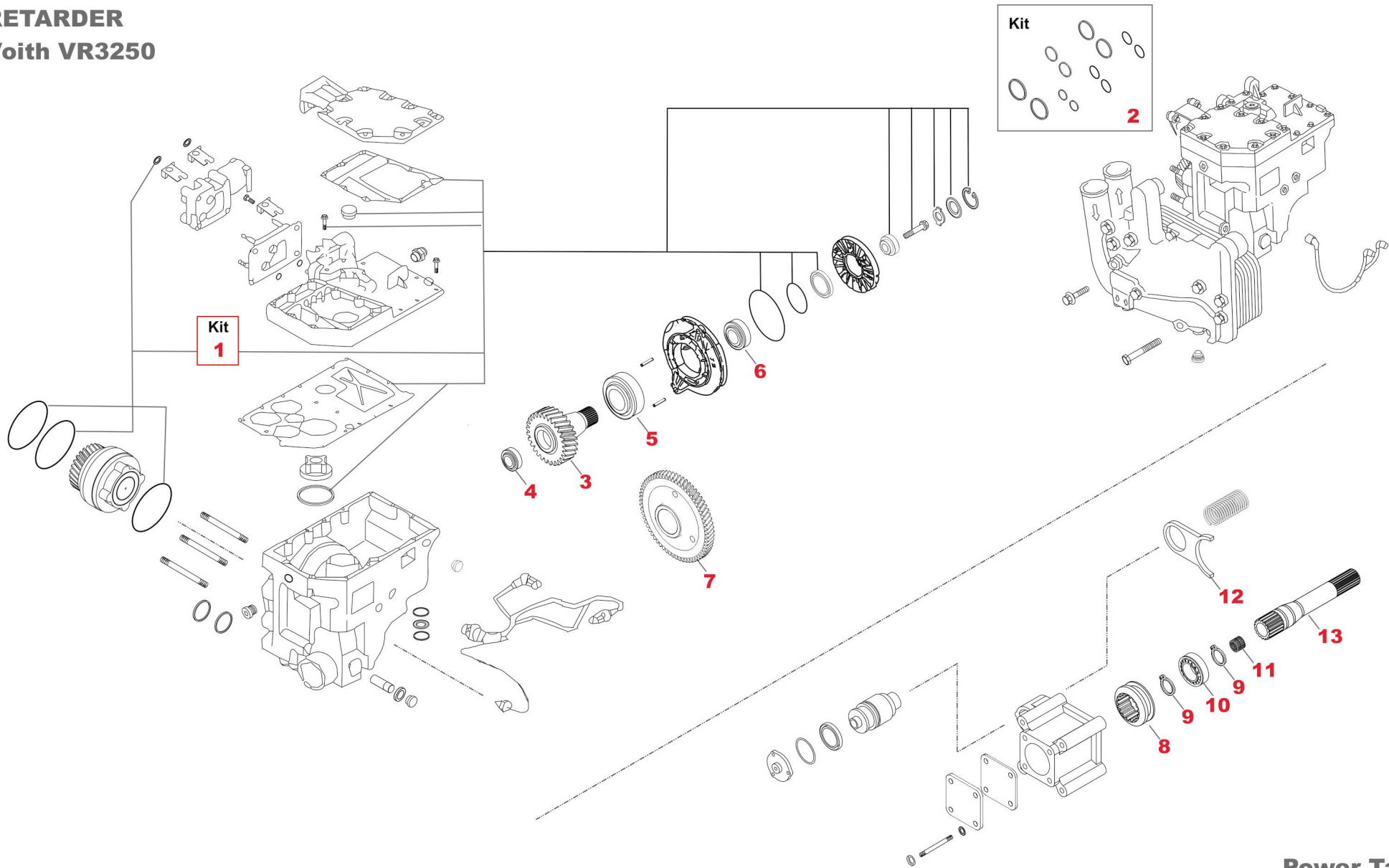


VT2014B





RETARDER Voith VR3250



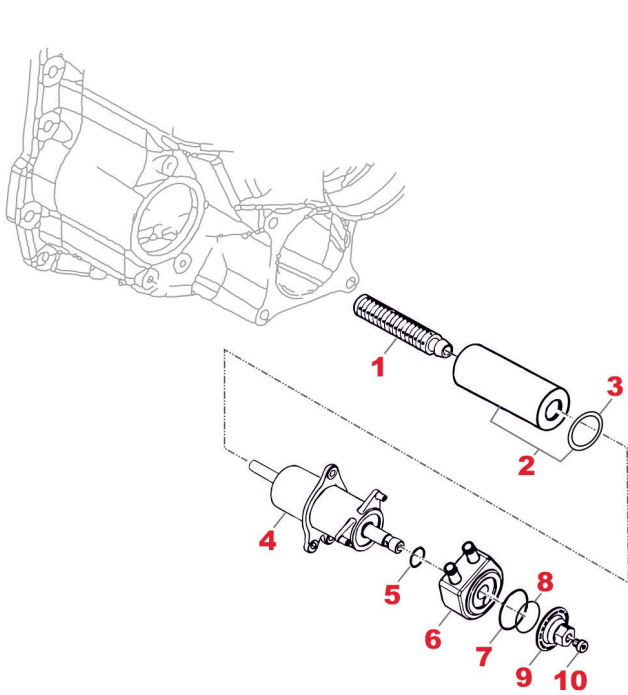
P.T.O.
Power Take Off

CH	FIG.	TAS no.	OEM no.	Description	Qty	Note	Note1	Ex/Cross	Ex/Cross
C07	1	T84066	1530 0046 010	GASKET KIT VOITH RETARDER VR3250 FOR I-SHIFT	1				
C07	2	T76020	8171156	O-RING KIT	1				
C07	3	T81915	67.1153.15	SHAFT VOITH RETARDER VR3250 FOR I-SHIFT	1				
C07	4	T41636	H53054513	NEEDLE BEARING	1			67.2996.10	
C07	5	T41634	1900 1001 810	NEEDLE BEARING ROLLER(60X130X31)	1			NJ312EM.C3	
C07	6	T41635	1900 0874 410	NEEDLE BEARING (40X90X23)	1			QJ 308	
C07	7	T46324	1521257	RETARDER GEAR (63T.)	1				
C07	8	T55314	1667266	SLIDING SLEEVE (16T.)	1				
C07	9	T47737	914472	SEEGER RING (T.2,00)	2				
C07	10	T94020	1655380	BEARING (50X90X23)	1				
C07	11	T41731	1655383	ROLLER BEARING (30X35X13)	1			1655383	
C07	12	T41633	1653858	FORK	1				
C07	13	T51549	1653840	SHAFT P.T.O.	1		Models W/Out Retarder		
C07	13	T73364	1672126	SHAFT P.T.O.	1		Models With Retarder		

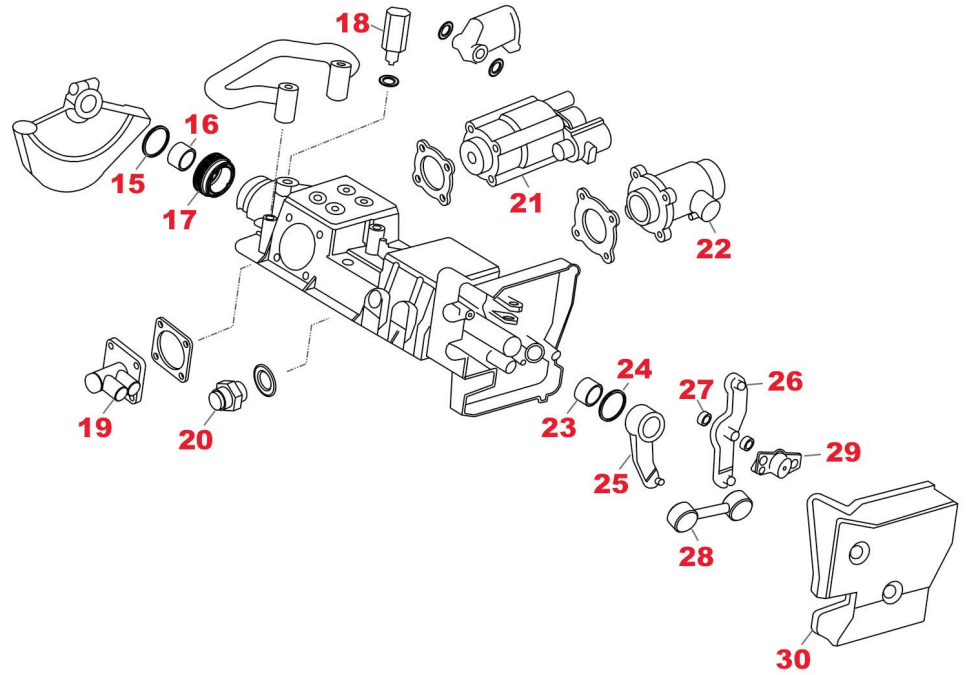
Notes



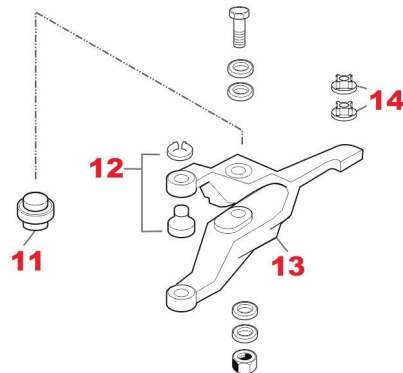
OIL FILTER



GEAR LEVER CARRIER



CLUTCH FORK COMP.



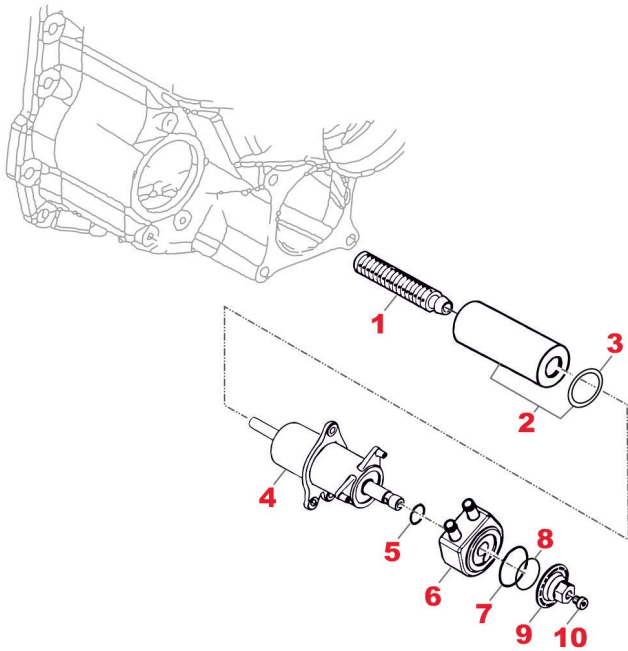
CH	FIG.	TAS no.	GEM no.	Description	Qty	Note	Note1	Ex/ Cross	Ex/ Cross
C99	1	T41638	1069997	OIL FILTER TUBE	1				
C99	2	T41639	22023120	OIL FILTER KIT	1				
C99	3	T41641	21854860	O-RING	1				
C99	4	T41640	21969323	OIL FILTER PROTECTION	1			21566448	21566497
C99	5	T51251	949657	O-RING (22,2X3)	1				
C99	6	T41644	21360064	CONNECTION BLOCK	1		With Fig. 7		
C99	6	T41643	21983348	CONNECTION BLOCK	1		Without Fig. 7	20700752	
C99	7	T41642	20769993	O-RING	1				
C99	8	T47154	967343	O-RING	1				
C99	9	T41645	21450629	COVER	1				
C99	10	T41646	1521691	PLUG	1				
C99	11	T50241	20806212	BEARING (14X35X27,60)	1			20571133	3191967
C99	12	T64225	3150188	CAM ROLLER	2				
C99	13	T71883	8172031	FORK	1		Assy with cam roller		
C99	14	T94019	3150319	BUSH	2				
C99	15	T61185	3152527	OIL SEAL RING 28X42X7	1				
C99	16	T76811	183272	NEEDLE ROLLER BEARING (28X35X20)	1				
C99	17	T61184	1526573	RUBBER SLEEVE	1				

Notes

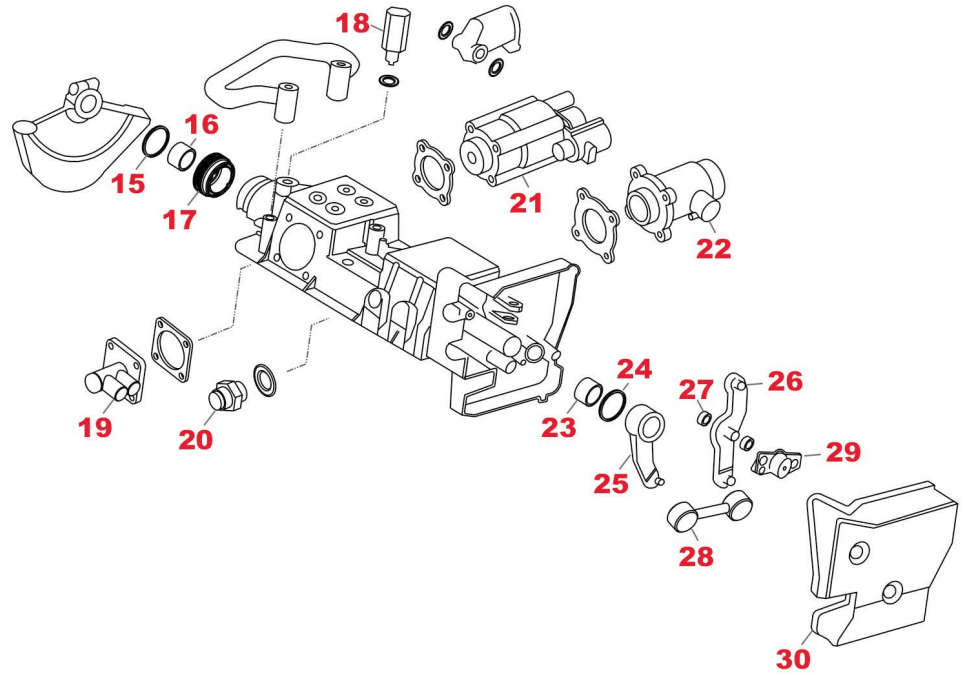


TRACTOR AUTOMOBILE SPARES
A WORLD OF QUALITY PARTS

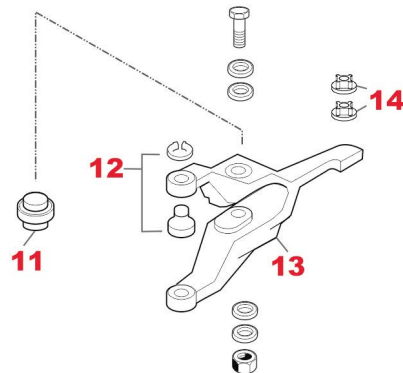
OIL FILTER



GEAR LEVER CARRIER



CLUTCH FORK COMP.



CH	FIG.	TAS no.	GEM no.	Description	Qty	Note	Note1	Ex/ Cross	Ex/ Cross
C99	18	T55943	3192533	PLUG	1			1521829	3192540
C99	19	T76825	8172628	VALVE	1				
C99	20	T51271	3197870	SWITCH	1				
C99	21	T51273	20783875	LOCK CYLINDER	1			20772366	20557162
C99	22	T41732	20872625	VALVE	1			8171739	1521698
C99	23	T76811	183272	NEEDLE ROLLER BEARING (28X35X20)	1				
C99	24	T70682	8171450	OIL SEAL RING 28X37X7	1				
C99	25	T41655	20889192	BRACKET	1			20515838	
C99	26	T41653	20888628	BRACKET	1			20515841	
C99	27	T76822	183368	NEEDLE ROLLER BEARING (14X20X14)	2				
C99	28	T64224	20365902	CONTROL HOUSING BAR	1				
C99	29	T41654	20889334	BRACKET	1			8171455	
C99	30	T41652	20972260	COVER	1			20730795	

Notes



TRACTOR AUTOMOBILE SPARES
A WORLD OF QUALITY PARTS

VL-CT-001



GEARBOX AND DIFFERENTIAL SPARE PARTS

Sede Amministrativa / Head Office

Via Argine, 306, 80147

Napoli (Italy)

Tel: +39 081 7520645

Fax: +39 081 7529475

email: web@tas-spa.com

<http://www.tas-spa.com>

Stabilimento Produttivi / Production Plant

Via Dell'Industria, 1

Argelato- Bologna (Italy)

Tel: +39 051 758154

Fax: +39 051 732707

email: web@tas-spa.com

<http://www.tas-spa.com>

www.tas-spa.com