

2020



**GEARBOX AND DIFFERENTIAL  
SPARE PARTS**

Gearbox and Differential spare parts  
suitable to :

**VOLVO**

**VT2214B**

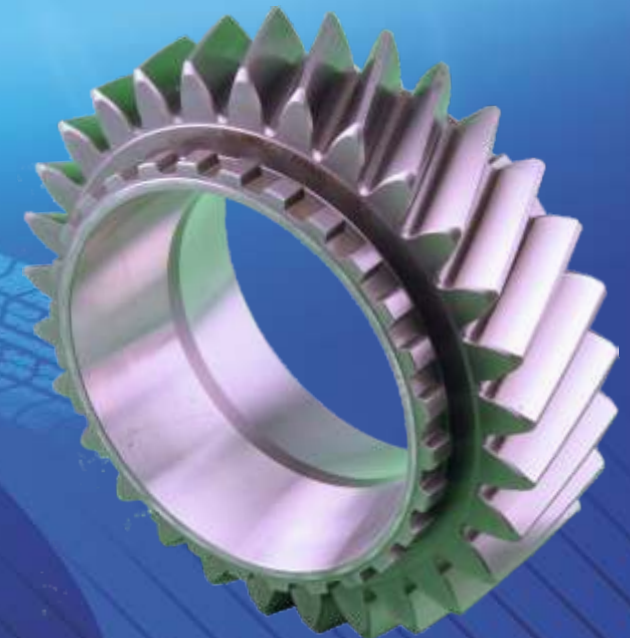
**VT02214B**

FH/FM Version 1

FH/FM Version 2

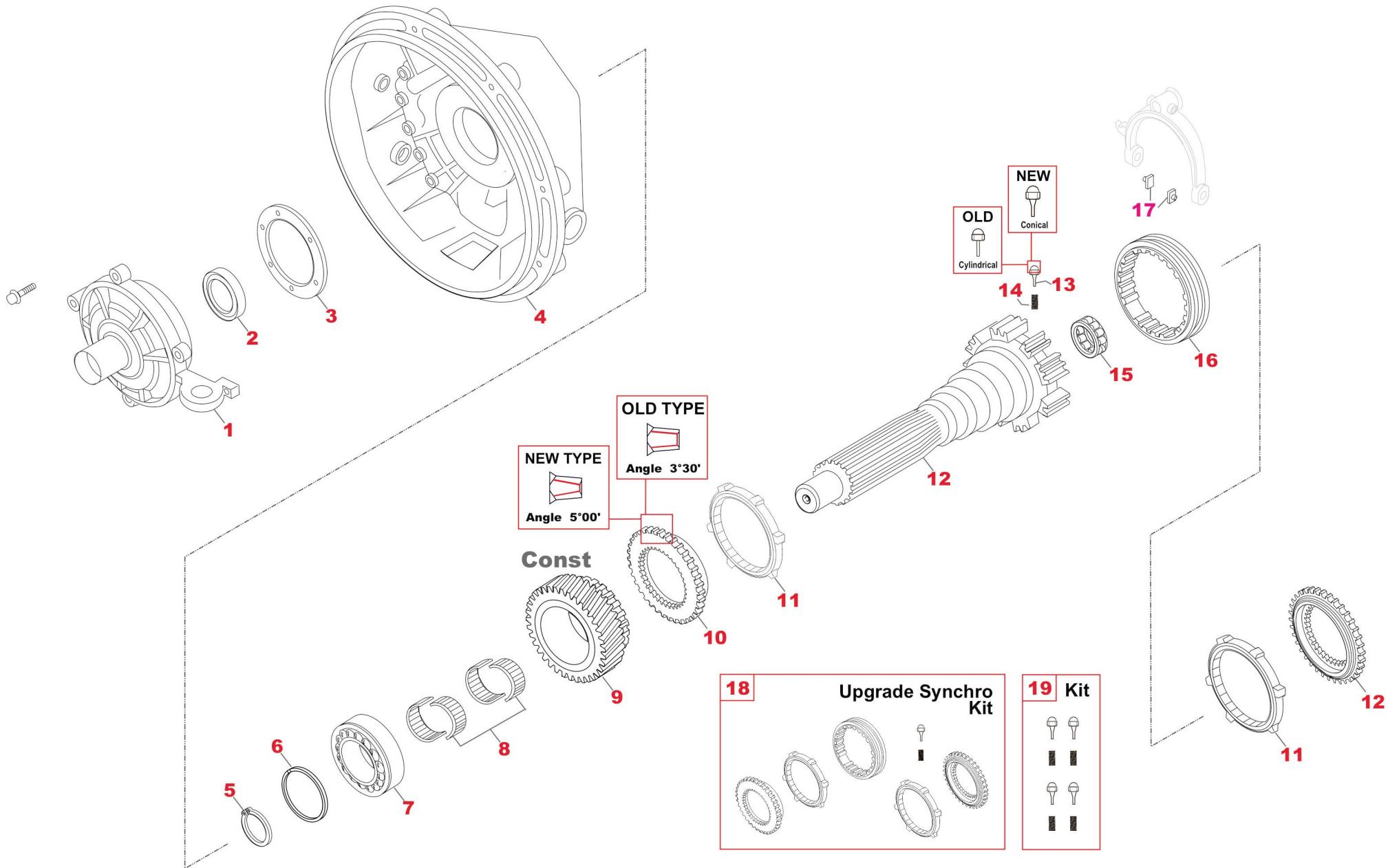
FMX

Engine EURO IV & V & VI





# VT2214B - VT02214B



CH	FIG.	TAS no.	GEM no.	Description	Qty	Note	Note1	Ex/ Cross	Ex/ Cross
C01	1	<b>T46190</b>	20366711	COVER FRONT	1			1521978	
C01	2	<b>T38578</b>	20476025	OIL SEAL RING (64,9X90X9,5/10)	1			1521431	
C01	3	<b>T46191</b>	1521564	GASKET	1				
C01	4	<b>T78575</b>	22287649	HOUSING GEARBOX FRONT	1			21344085	21093748
C01	5	<b>T47062</b>	1654102	SEEGER RING (T.2,90)	1				
C01	5	<b>T46193</b>	1654101	SEEGER RING (T.2,80)	1				
C01	5	<b>T46192</b>	1654100	SEEGER RING (T.2,70)	1				
C01	6	<b>T46210</b>	1652322	SHIM (T.1,78)	1				
C01	6	<b>T46209</b>	1652321	SHIM (T.1,74)	1				
C01	6	<b>T46208</b>	1652320	SHIM (T.1,70)	1				
C01	6	<b>T46207</b>	1652319	SHIM (T.1,66)	1				
C01	6	<b>T46206</b>	1652318	SHIM (T.1,62)	1				
C01	6	<b>T46205</b>	1652317	SHIM (T.1,58)	1				
C01	6	<b>T46204</b>	1652316	SHIM (T.1,54)	1				
C01	6	<b>T46203</b>	1652315	SHIM (T.1,50)	1				
C01	6	<b>T46202</b>	1652314	SHIM (T.1,46)	1				
C01	6	<b>T46201</b>	1652313	SHIM (T.1,42)	1				
C01	6	<b>T46200</b>	1652312	SHIM (T.1,38)	1				

### Notes

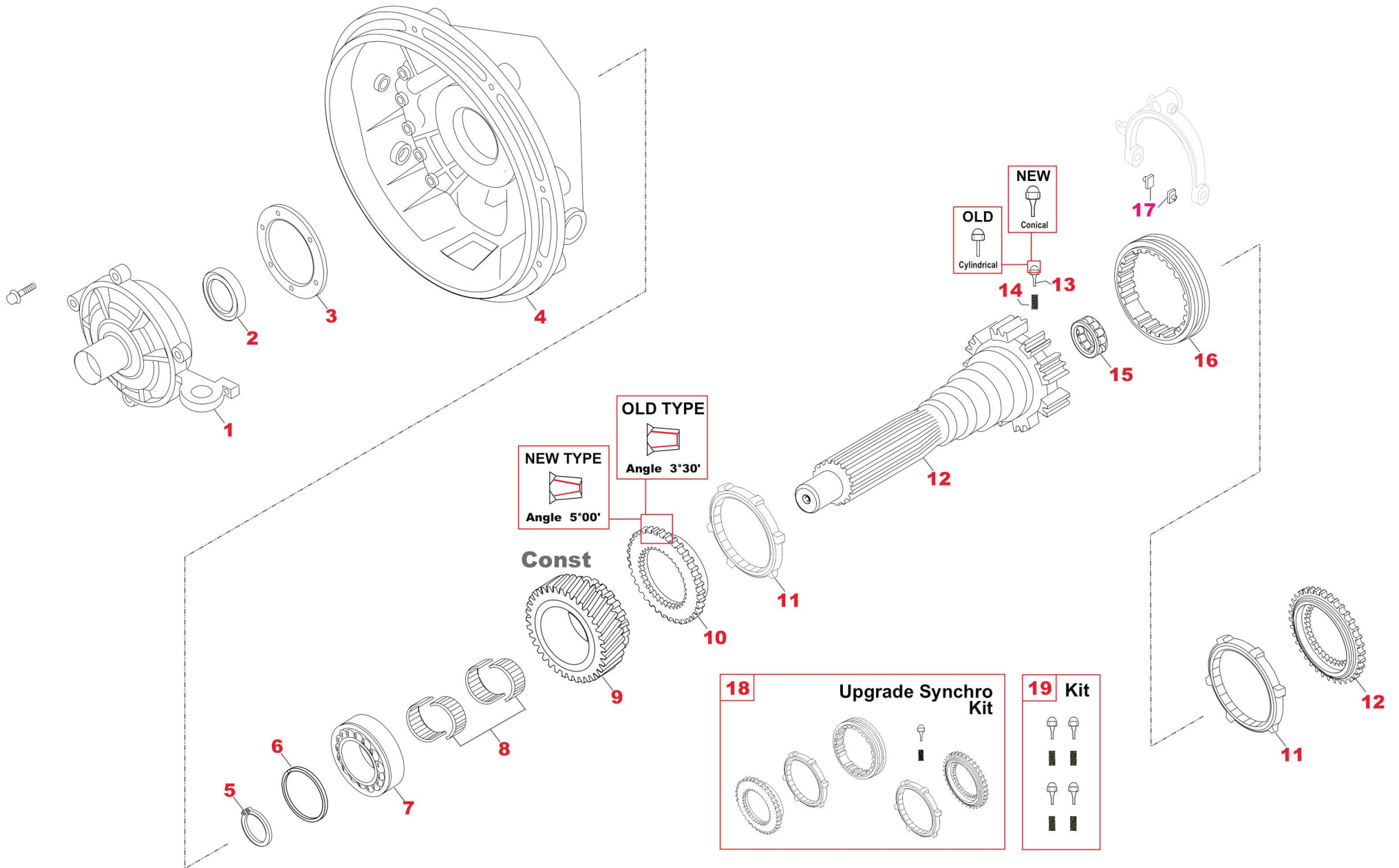
- (A) To be coupled together (Version with 3° 30' Conical Angle)  
 (B) To be coupled together (Version with 5° 00' Conical Angle)



**TRACTOR AUTOMOBILE SPARES**  
 A WORLD OF QUALITY PARTS



# VT2214B - VT02214B



CH	FIG.	TAS no.	GEM no.	Description	Qty	Note	Note1	Ex/ Cross	Ex/ Cross
C01	6	<b>T46199</b>	1652311	SHIM (T.1,34)	1				
C01	6	<b>T46198</b>	1652309	SHIM (T.1,26)	1				
C01	6	<b>T46197</b>	1652308	SHIM (T.1,22)	1				
C01	6	<b>T46196</b>	1652307	SHIM (T.1,18)	1				
C01	6	<b>T46195</b>	1652306	SHIM (T.1,14)	1				
C01	6	<b>T46194</b>	1652300	SHIM (T.0,90)	1				
C01	7	<b>T22669</b>	1656129	TAPERED ROLLER BEARING (70X150X39,8)	1				
C01	8	<b>T46211</b>	1654088	NEEDLE BEARING 2PCS (92X100X27)	1			21652566	1652566
C01	9	<b>T18278</b>	20776783	CONSTANT GEAR (31-28T.)	1	VT		20854441	1521416
C01	9	<b>T46213</b>	20776785	CONSTANT GEAR (34-28T.)	1	VTO		3152728	1521483
C01	10	<b>T18263</b>	1673541	SYNCHRO CONE (54-28T.)	2	(A)	OLD TYPE	21673541	
C01	10	<b>T19359</b>	21994372	SYNCHRO CONE (54-28T.)	2	(B)	NEW TYPE	20760515	
C01	11	<b>T18081</b>	21992993	SYNCHRO RING	2			1521438	8171737
C01	12	<b>T38977</b>	8171556	INPUT SHAFT W/PINS+SPRINGS	1	10 SPLINES	With Kit Fig.19	1673542	20781951
C01	12	<b>T18284</b>	1069239	INPUT SHAFT W/PINS+SPRINGS	1	24 SPLINES	With Kit Fig.19	20769602	20904803
C01	13	<b>T18280</b>	20766774	PRESSURE PLUNGER	4		CONICAL TYPE	1521966	
C01	14	<b>T18279</b>	21140387	SPRING	4			20845477	20771480
C01	15	<b>T23884</b>	1656116	TAPERED ROLLER BEARING (40X38)	1				

### Notes

(A) To be coupled together (Version with 3° 30' Conical Angle)

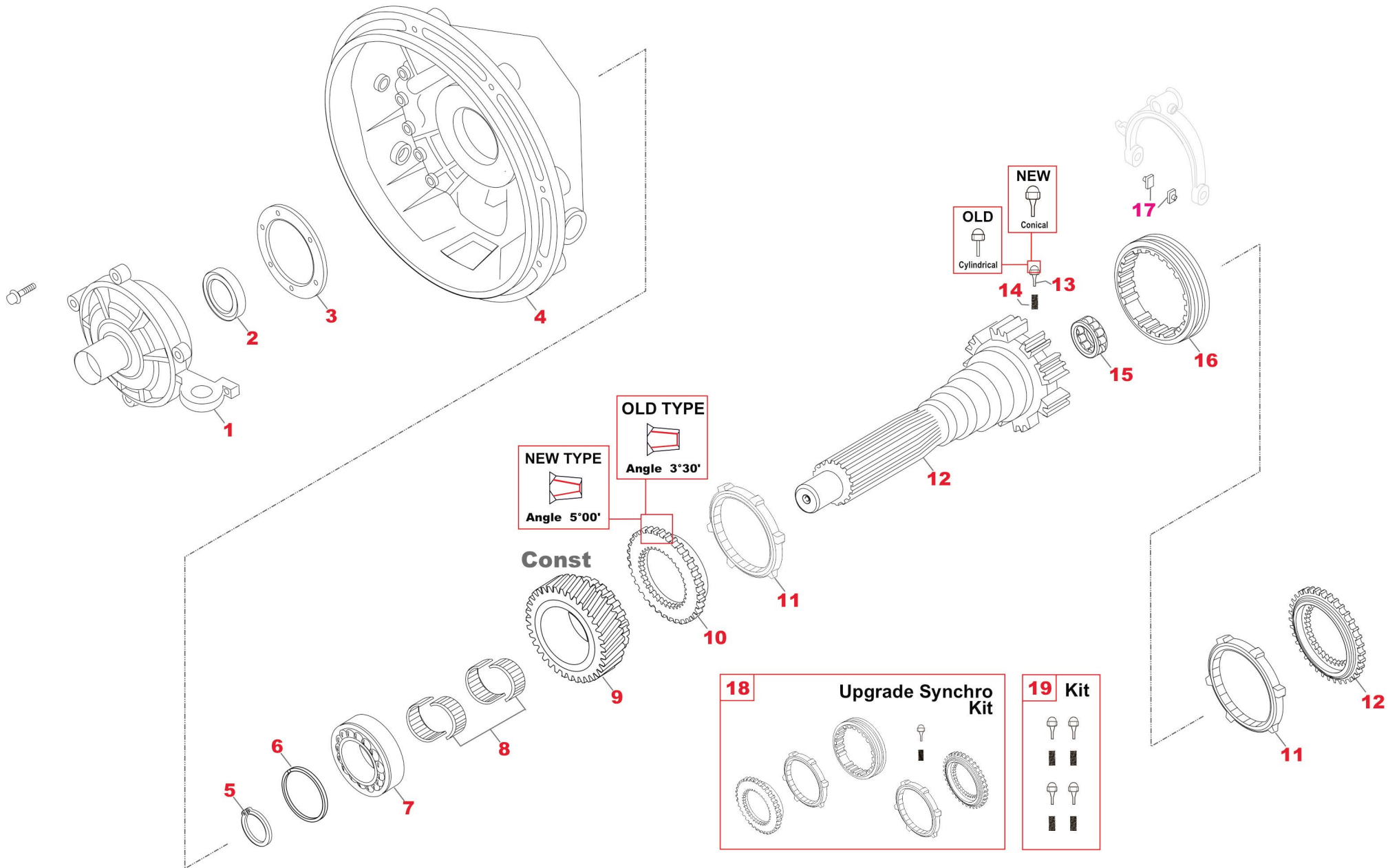
(B) To be coupled together (Version with 5° 00' Conical Angle)



**TRACTOR AUTOMOBILE SPARES**  
A WORLD OF QUALITY PARTS



# VT2214B - VT02214B



CH	FIG.	TAS no.	GEM no.	Description	Qty	Note	Note1	Ex/ Cross	Ex/ Cross
C01	16	<b>T19357</b>	1673540	SYNCHRO SLIDING SLEEVE (54T.)	1	(A)	OLD TYPE	21673540	
C01	16	<b>T19358</b>	21994373	SYNCHRO SLIDING SLEEVE (54T.)	1	(B)	NEW TYPE	20760512	
C01	17	<b>T10001</b>	382565	SLIDING BLOCK (BRONZE)	2				
C01	18	<b>T93470</b>	TAS93470	SYNCHRO KIT	1	(A)	OLD TYPE		
C01	18	<b>T73852</b>	21671426	SYNCHRO KIT	1	(B)	NEW TYPE		
C01	19	<b>T65048</b>	21141850	KIT PINS+SPRINGS	1			20805870	20845497

### Notes

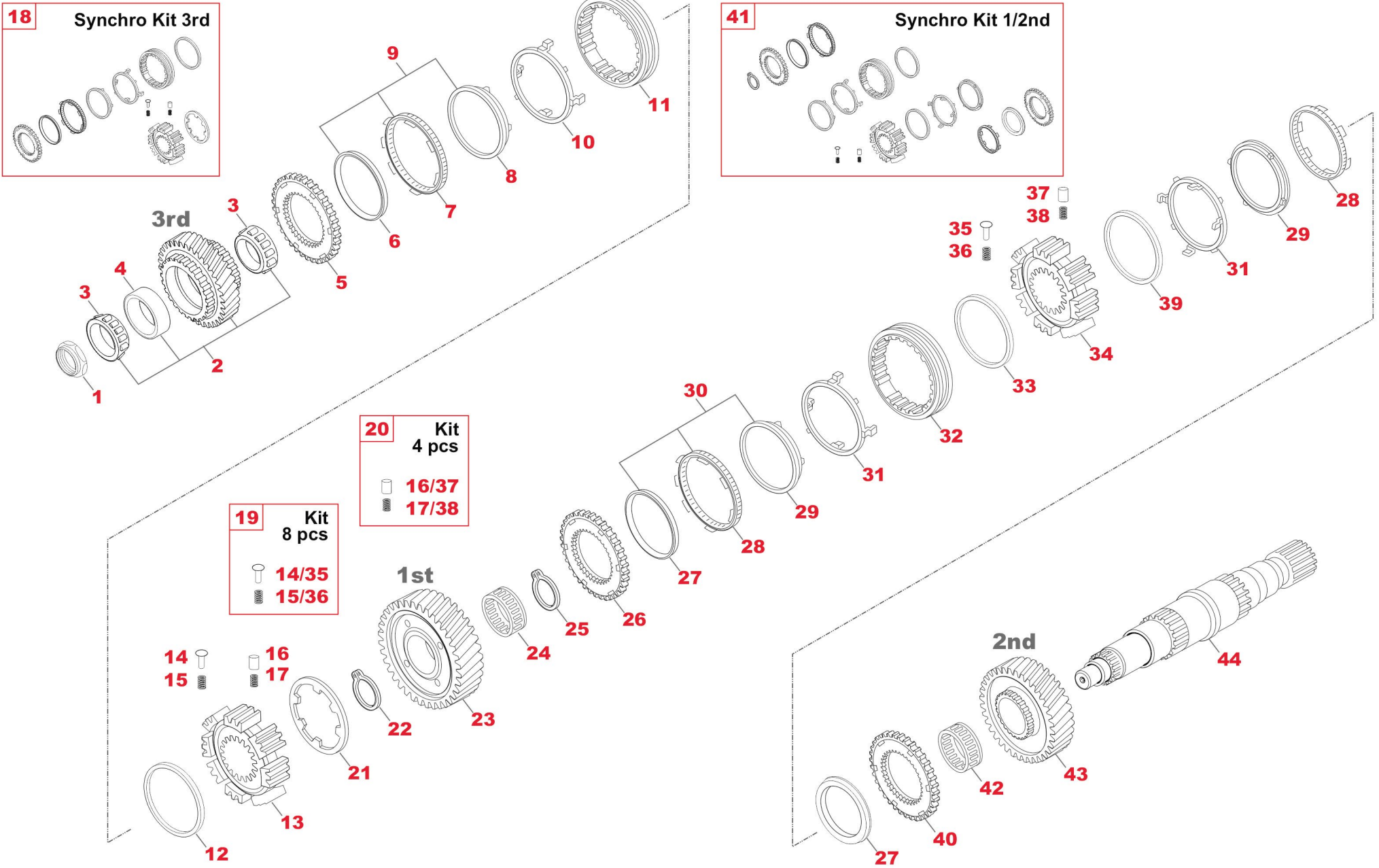
- (A) To be coupled together (Version with 3° 30' Conical Angle)
- (B) To be coupled together (Version with 5° 00' Conical Angle)



**TRACTOR AUTOMOBILE SPARES**  
A WORLD OF QUALITY PARTS



# VT2214B - VT02214B





CH	FIG.	TAS no.	OEM no.	Description	Qty	Note	Note1	Ex/ Cross	Ex/ Cross
C02	1	<b>T46216</b>	1521449	NUT M60X2	1				
C02	2	<b>T20622</b>	8172640	3RD SPEED GEAR KIT (28-29-28T.)	1			28172640	
C02	3	<b>T20623</b>	1521596	TAPERED ROLLER BEARING (65X34)	2				
C02	4	<b>T20621</b>	1521657	SPACER (T.10,26)	1				
C02	5	<b>T18082</b>	1521878	SYNCHRO CONE (60-28T.)	1			21521878	
C02	6	<b>T18085</b>	3192951	SYNCHRO RING, INNER	1			1069253	23192951
C02	7	<b>T18079</b>	1069254	SYNCHRO RING, INTERMEDIATE	1			21069254	
C02	8	<b>T18080</b>	1069255	SYNCHRO RING, OUTER	1			21069255	
C02	9	<b>T94388</b>	TAS94388	SYNCHRO RING KIT	1				
C02	10	<b>T38362</b>	1521890	PLATE	1		Mechanical control	21521890	
C02	10	<b>T38363</b>	3192111	PLATE	1		Automatic control		
C02	11	<b>T18308</b>	20478729	SYNCHRO SLIDING SLEEVE (60T.)	1	(C)	Total Height = 31,00 mm	1069257	8172416
C02	11	<b>T70627</b>	21278227	SYNCHRO SLIDING SLEEVE (60T.)	1	(D)	Total Height = 32,00 mm		
C02	12	<b>T38364</b>	1521886	ELASTIC RING	1				
C02	13	<b>T20050</b>	1521979	SYNCHRO HUB (60-37T.)	1	(C)		21521979	
C02	13	<b>T74190</b>	21233970	SYNCHRO HUB (60-37T.)	1	(D)			
C02	14	<b>T38971</b>	20804800	PRESSURE PLUNGER	4			8171413	
C02	15	<b>T38972</b>	20845629	SPRING	4			1069474	

## Notes

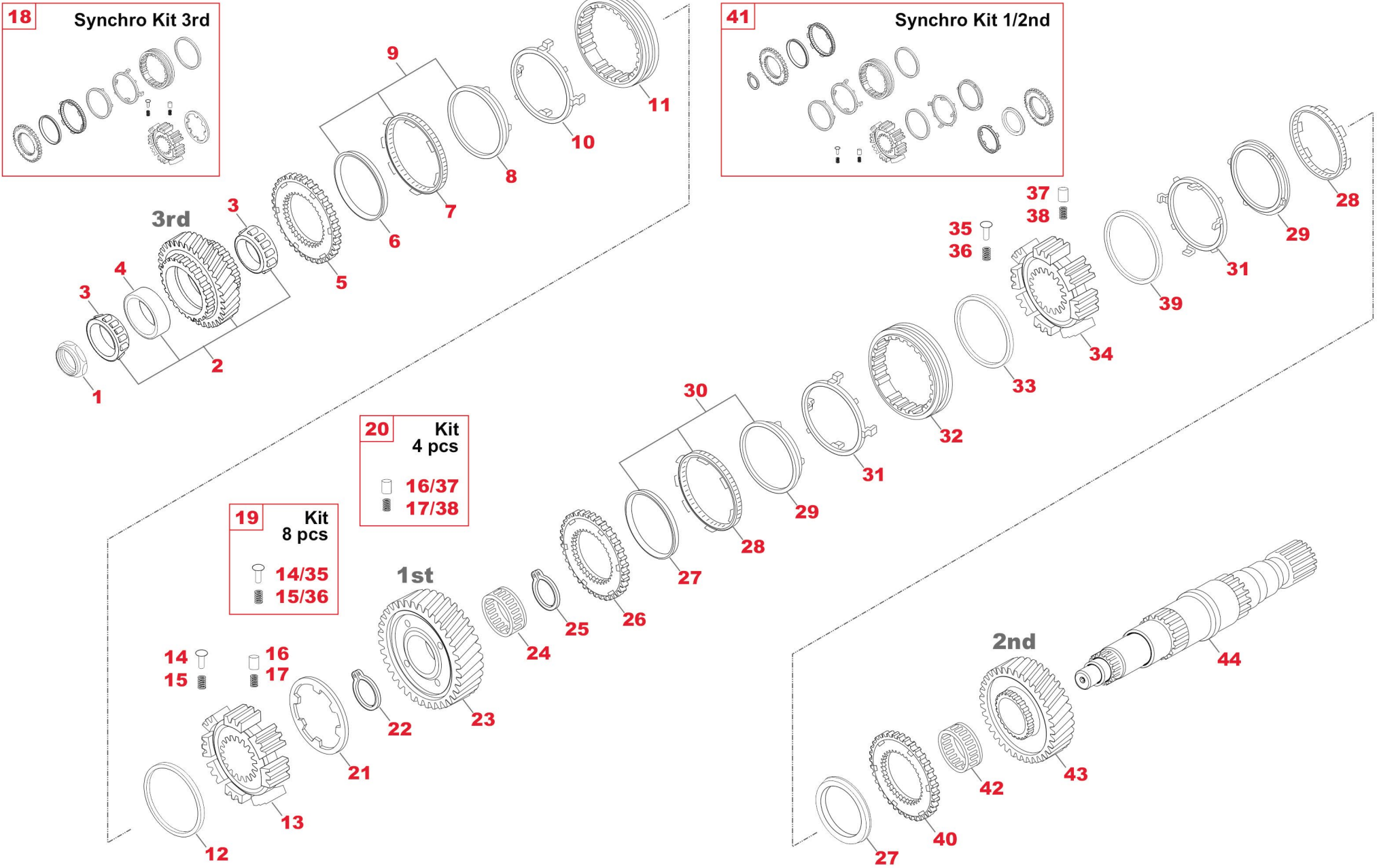
(C) To be coupled together (Old Sleeve with a Total Height of 31,00 mm) (H) To be coupled together (Old Sleeve with a Total Height of 32,20 mm)  
(D) To be coupled together (New Sleeve with a Total Height of 32,00 mm) (L) To be coupled together (New Sleeve with a Total Height of 34,20 mm)



**TRACTOR AUTOMOBILE SPARES**  
A WORLD OF QUALITY PARTS



# VT2214B - VT02214B



CH	FIG.	TAS no.	OEM no.	Description	Qty	Note	Note1	Ex/ Cross	Ex/ Cross
C02	16	<b>T38973</b>	1521870	PIN	2				
C02	17	<b>T38974</b>	8172433	SPRING	2			1521942	
C02	18	<b>T41631</b>	TAS41631	3RD SPEED GEAR KIT	1				
C02	19	<b>T38970</b>	20847116	KIT PINS+SPRINGS	1				
C02	20	<b>T75868</b>	1004057	KIT PINS+SPRINGS	1				
C02	21	<b>T46219</b>	8172218	LOCK RING	1				
C02	22	<b>T46220</b>	951080	SEEGER RING (103,54X110X4)	1				
C02	23	<b>T39365</b>	1521413	1ST SPEED GEAR (46-28T.)	1			1521916	21733462
C02	24	<b>T46221</b>	1521465	NEEDLE BEARING (85X93X63)	1			1521453	
C02	25	<b>T46222</b>	1521473	RETAINER RING (T.3,20)	1				
C02	25	<b>T46223</b>	1521474	RETAINER RING (T.3,30)	1				
C02	25	<b>T46224</b>	1521475	RETAINER RING (T.3,40)	1				
C02	25	<b>T46225</b>	1521476	RETAINER RING (T.3,50)	1				
C02	26	<b>T18082</b>	1521878	SYNCHRO CONE (60-28T.)	1			21521878	
C02	27	<b>T18085</b>	3192951	SYNCHRO RING, INNER	2			1069253	23192951
C02	28	<b>T18079</b>	1069254	SYNCHRO RING, INTERMEDIATE	2			21069254	
C02	29	<b>T18080</b>	1069255	SYNCHRO RING, OUTER	2			21069255	
C02	30	<b>T94388</b>	TAS94388	SYNCHRO RING KIT	2				

### Notes

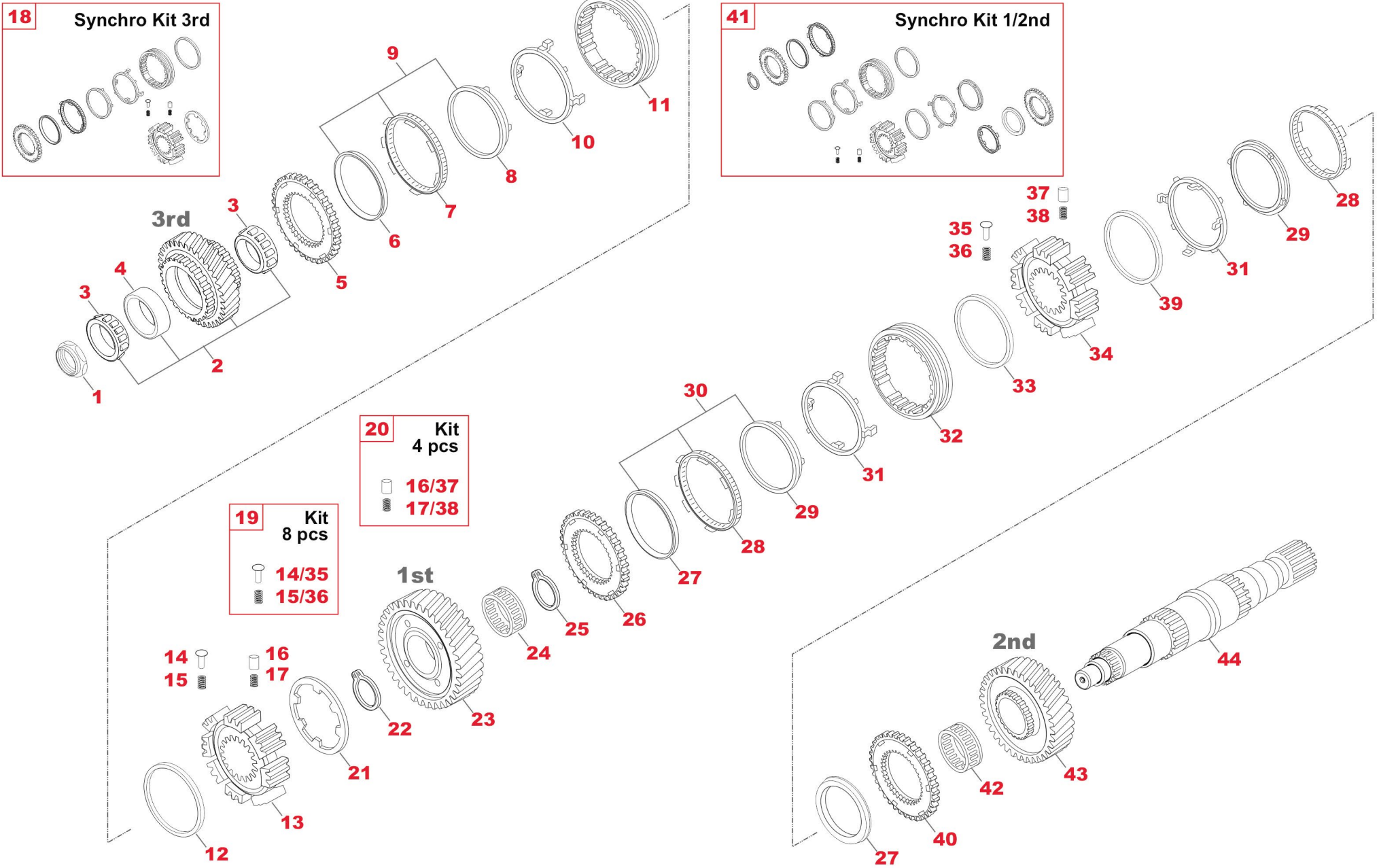
(C) To be coupled together (Old Sleeve with a Total Height of 31,00 mm) (H) To be coupled together (Old Sleeve with a Total Height of 32,20 mm)  
(D) To be coupled together (New Sleeve with a Total Height of 32,00 mm) (L) To be coupled together (New Sleeve with a Total Height of 34,20 mm)



**TRACTOR AUTOMOBILE SPARES**  
A WORLD OF QUALITY PARTS



# VT2214B - VT02214B



CH	FIG.	TAS no.	OEM no.	Description	Qty	Note	Note1	Ex/ Cross	Ex/ Cross
C02	31	<b>T38362</b>	1521890	PLATE	2		Mechanical control	21521890	
C02	31	<b>T38363</b>	3192111	PLATE	2		Automatic control		
C02	32	<b>T18281</b>	20588775	SYNCHRO SLIDING SLEEVE (60T.)	1	(H)	Total Height = 32,20 mm	1069256	20478726
C02	32	<b>T74191</b>	21278223	SYNCHRO SLIDING SLEEVE (60T.)	1	(L)	Total Height = 34,20 mm		
C02	33	<b>T46226</b>	20588777	ELASTIC RING	1			1521826	8171735
C02	34	<b>T38358</b>	20858492	SYNCHRO HUB (60-45T.)	1	(H)		1521920	20588772
C02	34	<b>T74188</b>	21233969	SYNCHRO HUB (60-45T.)	1	(L)			
C02	35	<b>T38971</b>	20804800	PRESSURE PLUNGER	4			8171413	
C02	36	<b>T38972</b>	20845629	SPRING	4			1069474	
C02	37	<b>T38973</b>	1521870	PIN	2				
C02	38	<b>T38974</b>	8172433	SPRING	2			1521942	
C02	39	<b>T46227</b>	1069888	ELASTIC RING	1			1521827	
C02	40	<b>T38357</b>	1521879	SYNCHRO CONE (60-32T.)	1			21521879	
C02	41	<b>T51089</b>	20907441	SYNCHRO KIT 1ST-2ND SPEED VOLVO VT-VTO	1			20877136	
C02	42	<b>T46228</b>	1521452	NEEDLE BEARING (95X103X60)	1				
C02	43	<b>T38976</b>	1521917	2ND SPEED GEAR (39-32T.)	1			1521414	21521414
C02	44	<b>T38975</b>	1521406	MAIN SHAFT (37-45-42-28T.)	1			21521406	

## Notes

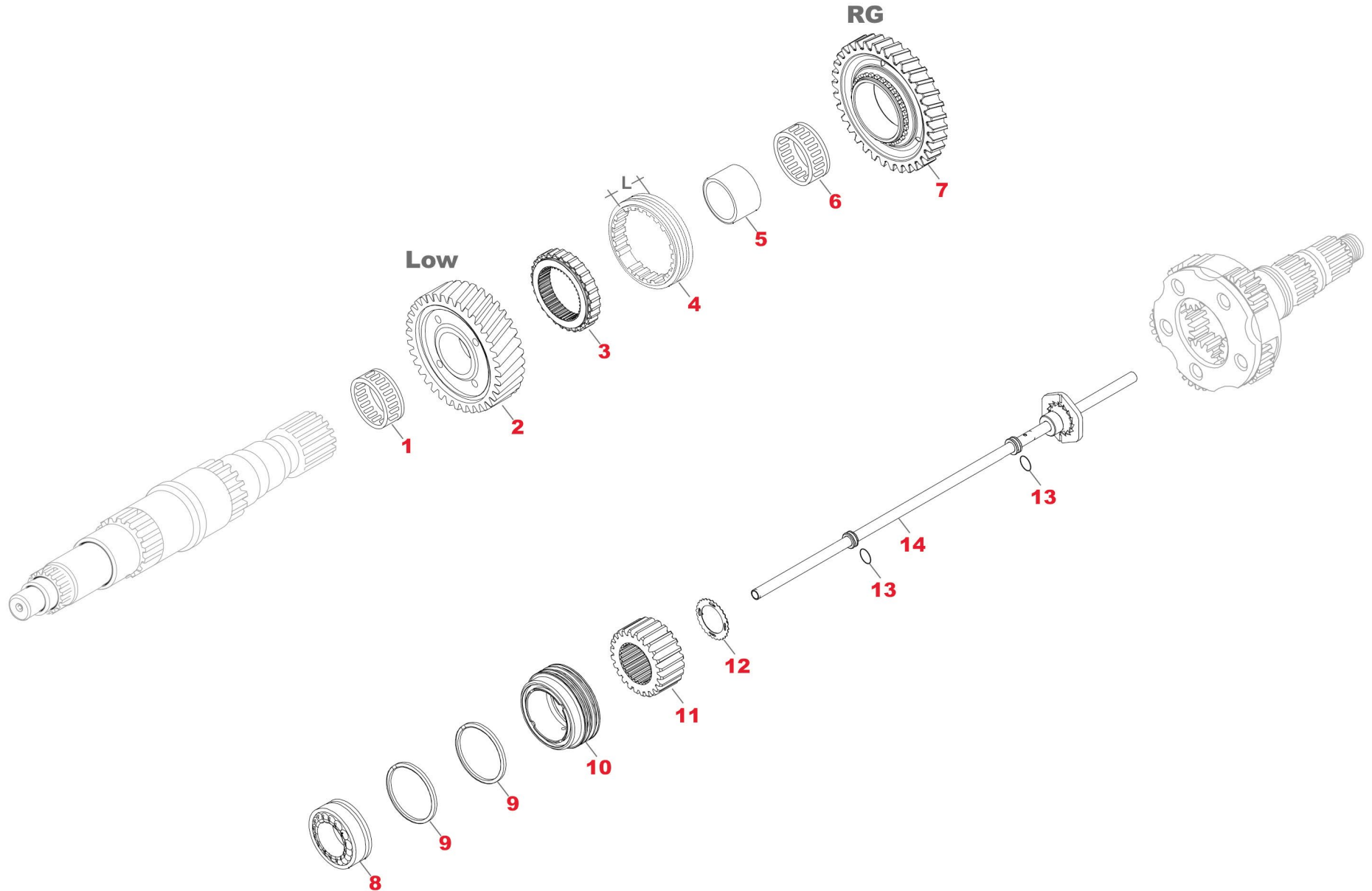
(C) To be coupled together (Old Sleeve with a Total Height of 31,00 mm) (H) To be coupled together (Old Sleeve with a Total Height of 32,20 mm)  
(D) To be coupled together (New Sleeve with a Total Height of 32,00 mm) (L) To be coupled together (New Sleeve with a Total Height of 34,20 mm)



**TRACTOR AUTOMOBILE SPARES**  
A WORLD OF QUALITY PARTS



# VT2214B - VT02214B



CH	FIG.	TAS no.	OEM no.	Description	Qty	Note	Note1	Ex/ Cross	Ex/ Cross
C03	1	<b>T46230</b>	1652575	NEEDLE BEARING (90X98X45,5)	1				
C03	2	<b>T46231</b>	1521909	LOW SPEED GEAR (38-28T.)	1				
C03	3	<b>T46233</b>	1521939	SYNCHRO HUB	1	(E)	Old Type		
C03	3	<b>T46234</b>	20366735	SYNCHRO HUB (28-42T.)	1	(F)	New Type		
C03	4	<b>T46235</b>	3192251	SYNCHRO SLIDING SLEEVE	1	(E)	Old Type		
C03	4	<b>T38356</b>	20366826	SYNCHRO SLIDING SLEEVE (28T.)	1	(F)	New Type L = 27,00 mm		
C03	4	<b>T74192</b>	21311067	SYNCHRO SLIDING SLEEVE (28T.)	1	(F)	Latest Type L = 29,00 mm		
C03	5	<b>T43845</b>	1652578	BUSH (90X80X46,2)	1			21652578	
C03	6	<b>T46230</b>	1652575	NEEDLE BEARING (90X98X45,5)	1				
C03	7	<b>T46236</b>	3152722	REVERSE GEAR (34-28T.)	1			1521908	23152722
C03	8	<b>T22669</b>	1656129	TAPERED ROLLER BEARING (70X150X39,8)	1				
C03	9	<b>T46237</b>	1652820	RING (T.4,50)	2			22328752	
C03	10	<b>T43847</b>	1656232	SPACER	1			21656232	
C03	11	<b>T43849</b>	1521910	SUN GEAR (24T.-28 SPL.)	1			1656226	
C03	12	<b>T46238</b>	20944716	WASHER	1			1652688	
C03	13	<b>T46239</b>	949656	O-RING (19X3)	2			925059	
C03	14	<b>T46240</b>	1656264	OIL PIPE	1			21656264	

## Notes

(E) Old Type -To be coupled together (The Old version could be replaced by 1 pcs Fig.3 + 1 Pc. Fig 4 New Type or Latest Type together)

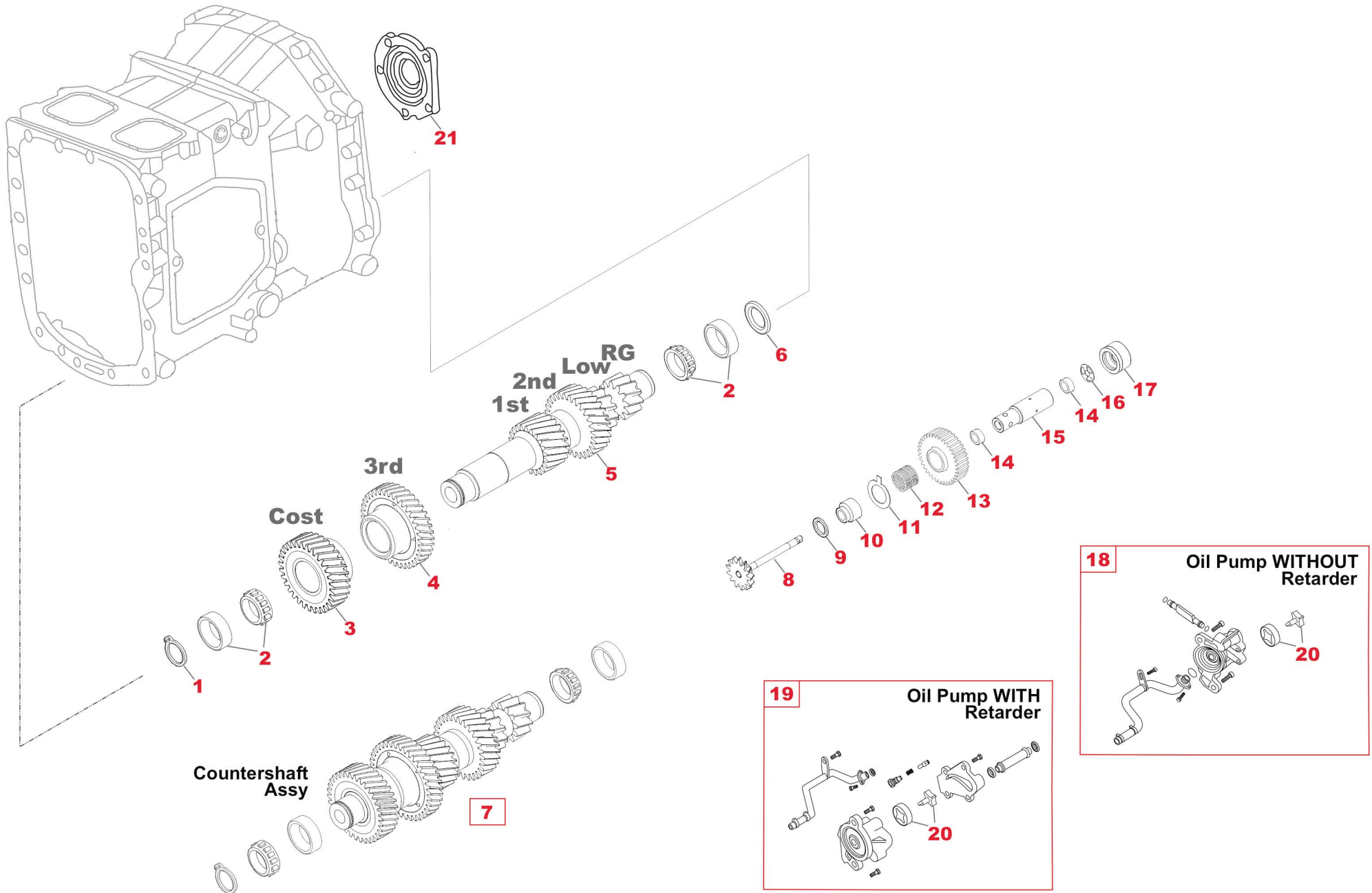
(F) New and Latest Type - To be coupled together



**TRACTOR AUTOMOBILE SPARES**  
A WORLD OF QUALITY PARTS



# VT2214B - VT02214B





CH	FIG.	TAS no.	GEM no.	Description	Qty	Note	Note1	Ex/ Cross	Ex/ Cross
C04	1	<b>T47087</b>	1652801	SEEGER RING (T.2,50)	1				
C04	1	<b>T46246</b>	1652800	SEEGER RING (T.2,40)	1				
C04	1	<b>T47088</b>	1652799	SEEGER RING (T.2,30)	1				
C04	1	<b>T46245</b>	1652798	SEEGER RING (T.2,20)	1				
C04	1	<b>T47089</b>	1652797	SEEGER RING (T.2,10)	1				
C04	1	<b>T46244</b>	1652796	SEEGER RING (T.2,00)	1				
C04	2	<b>T37661</b>	21627792	TAPERED ROLLER BEARING (60X110X38)	2			183665	1652563
C04	3	<b>T18083</b>	1521913	CONSTANT GEAR CNTRSHFT (44T.)	1	VT		1521422	20854437
C04	3	<b>T46248</b>	3152730	CONSTANT GEAR CNTRSHFT (31T.)	1	VTO		1521484	
C04	4	<b>T18084</b>	1521914	3RD SPEED GEAR CNTRSHFT (33T.)	1			1521421	20854435
C04	5	<b>T19206</b>	1521930	COUNTERSHAFT (12-12-29-22T.)	1				
C04	6	<b>T55926</b>	25640724	WASHER (T.1,86)	1				
C04	6	<b>T55927</b>	25640723	WASHER (T.1,82)	1				
C04	6	<b>T55928</b>	25640722	WASHER (T.1,78)	1				
C04	6	<b>T55929</b>	25640721	WASHER (T.1,74)	1				
C04	6	<b>T55931</b>	25640719	WASHER (T.1,66)	1				
C04	6	<b>T55932</b>	25640718	WASHER (T.1,62)	1				
C04	6	<b>T55933</b>	25640717	WASHER (T.1,58)	1				

## Notes

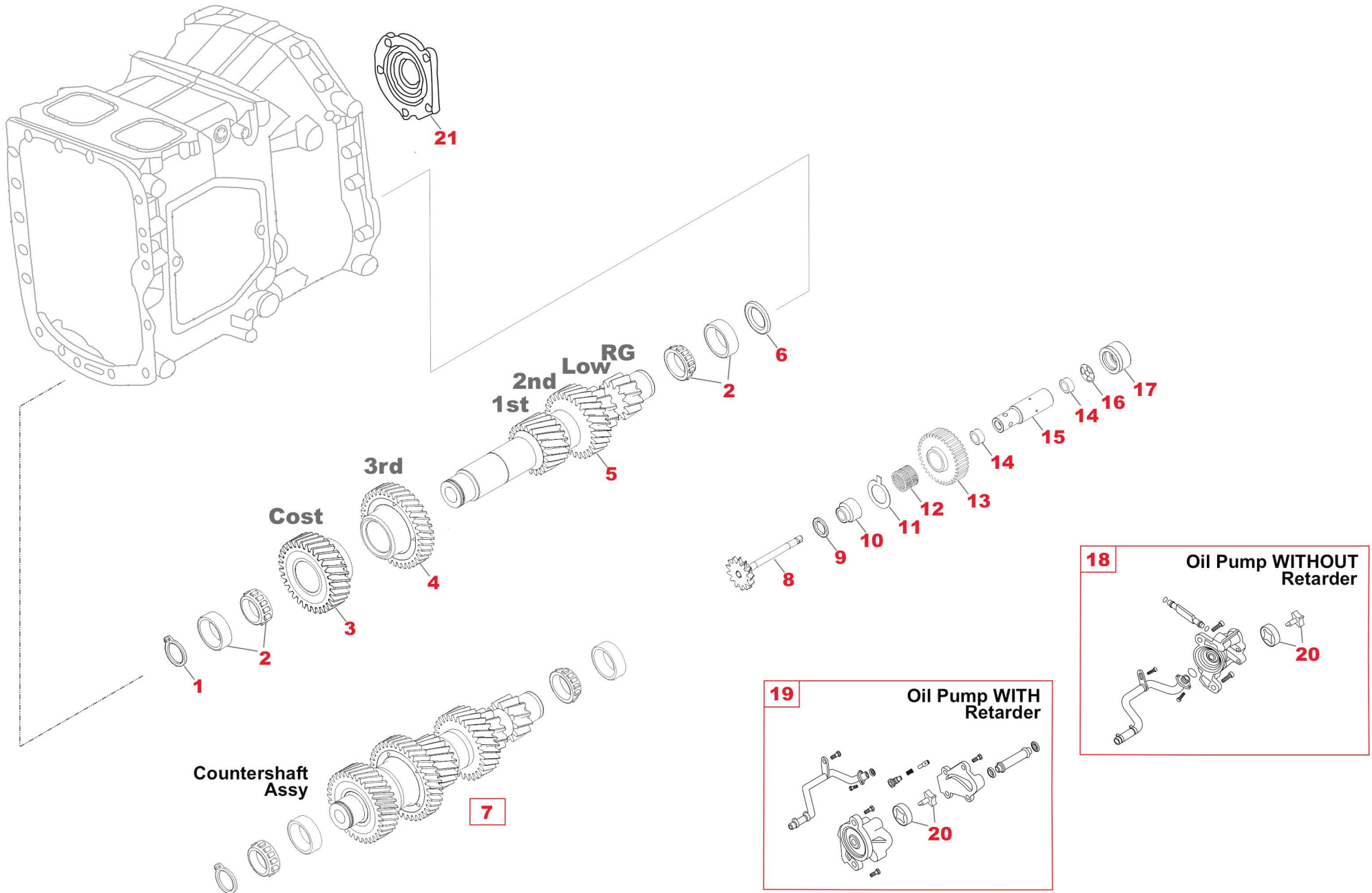


**TRACTOR AUTOMOBILE SPARES**  
A WORLD OF QUALITY PARTS

Page 17



# VT2214B - VT02214B



CH	FIG.	TAS no.	GEM no.	Description	Qty	Note	Note1	Ex/ Cross	Ex/ Cross
C04	6	<b>T55934</b>	25640716	WASHER (T.1,54)	1				
C04	6	<b>T55935</b>	25640715	WASHER (T.1,50)	1				
C04	6	<b>T55936</b>	25640714	WASHER (T.1,46)	1				
C04	6	<b>T55937</b>	25640713	WASHER (T.1,42)	1				
C04	6	<b>T55938</b>	25640700	WASHER (T.0,90)	1				
C04	7	<b>T94152</b>	TAS94152	REPAIR KIT FOR VT2014B	1	VT			
C04	7	<b>T94156</b>	TAS94156	REPAIR KIT FOR VTO2214B	1	VTO			
C04	8	<b>T46264</b>	3192293	OIL PUMP SHAFT (13T.)	1				
C04	9	<b>T46265</b>	1652841	WASHER	1				
C04	10	<b>T46266</b>	1652631	BUSH	1				
C04	11	<b>T46267</b>	1652176	WASHER	1				
C04	12	<b>T46268</b>	1652581	NEEDLE BEARING (42X50X30)	1			21652581	
C04	13	<b>T46269</b>	1521423	REVERSE GEAR (20T.)	1				
C04	14	<b>T46270</b>	183363	NEEDLE BEARING (14X20X12)	2				
C04	15	<b>T46271</b>	20366756	PIVOT REVERSE	1			1652538	
C04	16	<b>T46272</b>	1652948	LOCK RING	1				
C04	17	<b>T46273</b>	1652884	SPACER	1			21652884	
C04	18	<b>T46274</b>	1521900	OIL PUMP	1		Model W/OUT Retarder		

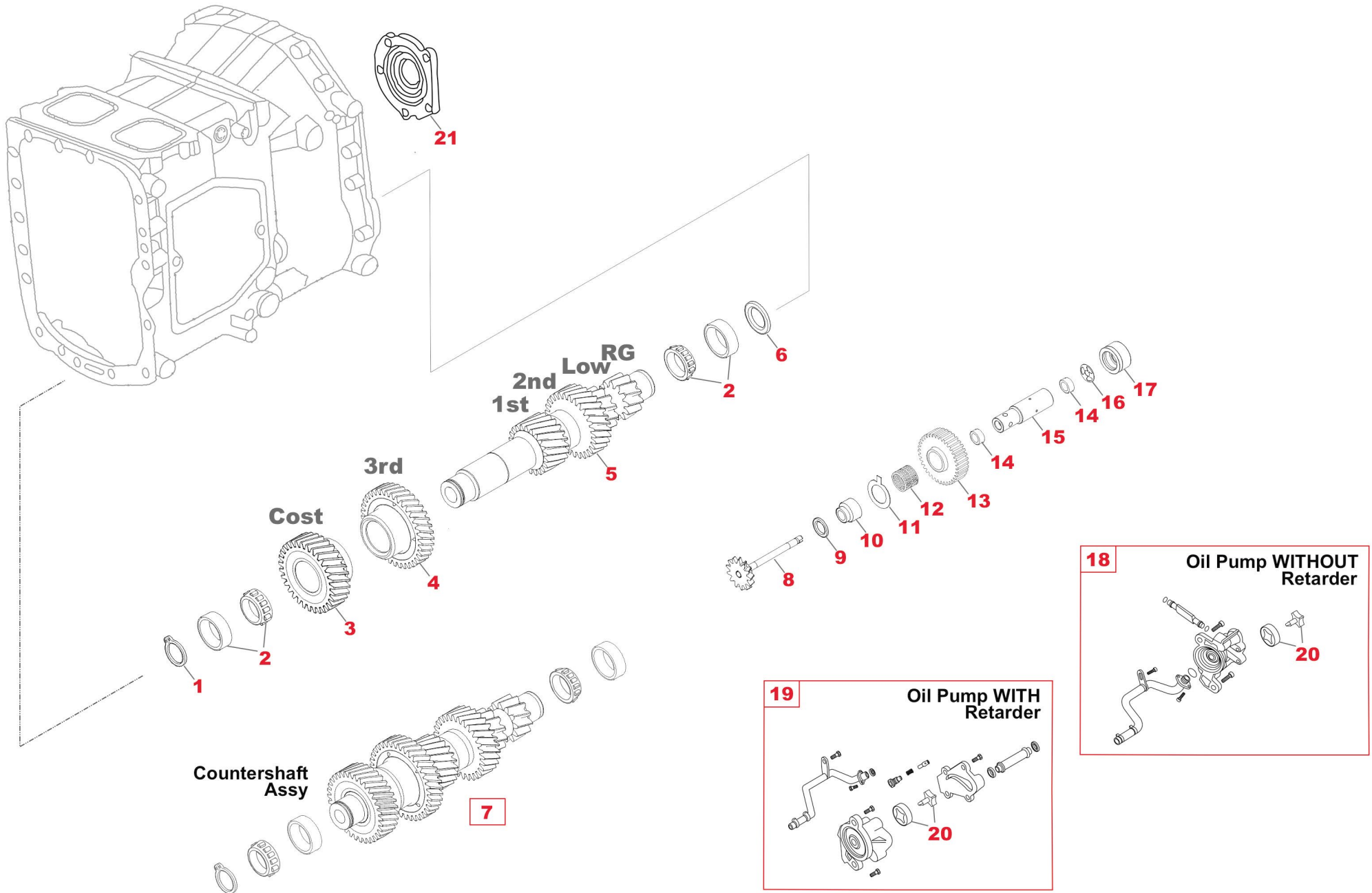
## Notes



**TRACTOR AUTOMOBILE SPARES**  
A WORLD OF QUALITY PARTS



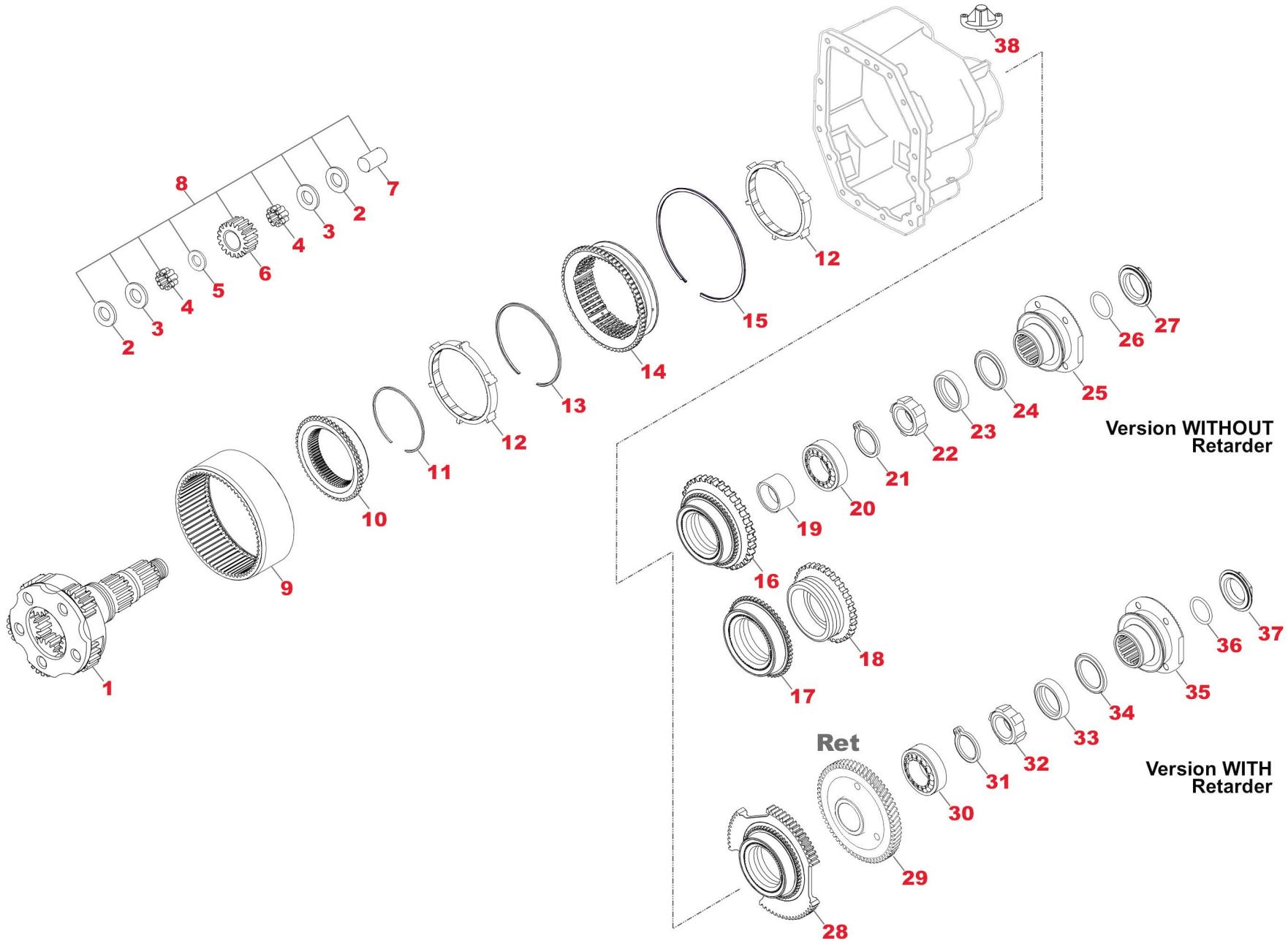
# VT2214B - VT02214B







# VT2214B - VT02214B



CH	FIG.	TAS no.	GEM no.	Description	Qty	Note	Note1	Ex/ Cross	Ex/ Cross
C05	1	<b>T46295</b>	1673844	PLANETARY CARRIER W/GEARS	1	ASSY	Models W/OUT Retarder		
C05	1	<b>T46294</b>	1673842	PLANETARY CARRIER W/GEARS	1	ASSY	Models WITH Retarder	21050687	
C05	2	<b>T46284</b>	8171167	WASHER BRONZE (T.1,00)	10			1522390	
C05	3	<b>T46285</b>	8171165	WASHER IRON (T.1,00)	10			1522389	
C05	4	<b>T46286</b>	1656113	NEEDLE ROLLER (Ø6X18,9)	200				
C05	5	<b>T46287</b>	267375	SPACER (44,3X36X1,95)	5				
C05	6	<b>T46288</b>	1656208	PLANETARY GEAR (19T.)	5			1521911	
C05	7	<b>T46290</b>	1654054	PIVOT	5				
C05	8	<b>T43839</b>	85107014	PLANETARY REPAIR KIT	1		Kit composed by 5 Units	20276115	276115
C05	9	<b>T43843</b>	1656209	RING GEAR (66T.)	1			22428072	21656209
C05	10	<b>T43814</b>	1668452	SYNCHRO CONE (54-65T.)	1			21668452	
C05	11	<b>T46300</b>	943760	BLOCKING RING	1				
C05	12	<b>T43816</b>	1668456	SYNCHRO RING	2			1668454	1668455
C05	13	<b>T46301</b>	1668459	BLOCKING RING	1				
C05	14	<b>T43740</b>	1068946	SYNCHRO SLIDING SLEEVE (66-54T.)	1			1668458	21068946
C05	15	<b>T46302</b>	8171420	BLOCKING RING	1			1654062	
C05	16	<b>T43812</b>	21235526	SYNCHRO CONE (54T.)	1	Old Type		1668450	21668450
C05	17	<b>T94024</b>	21170063	SYNCHRO CONE (54T.)	1	New Type			

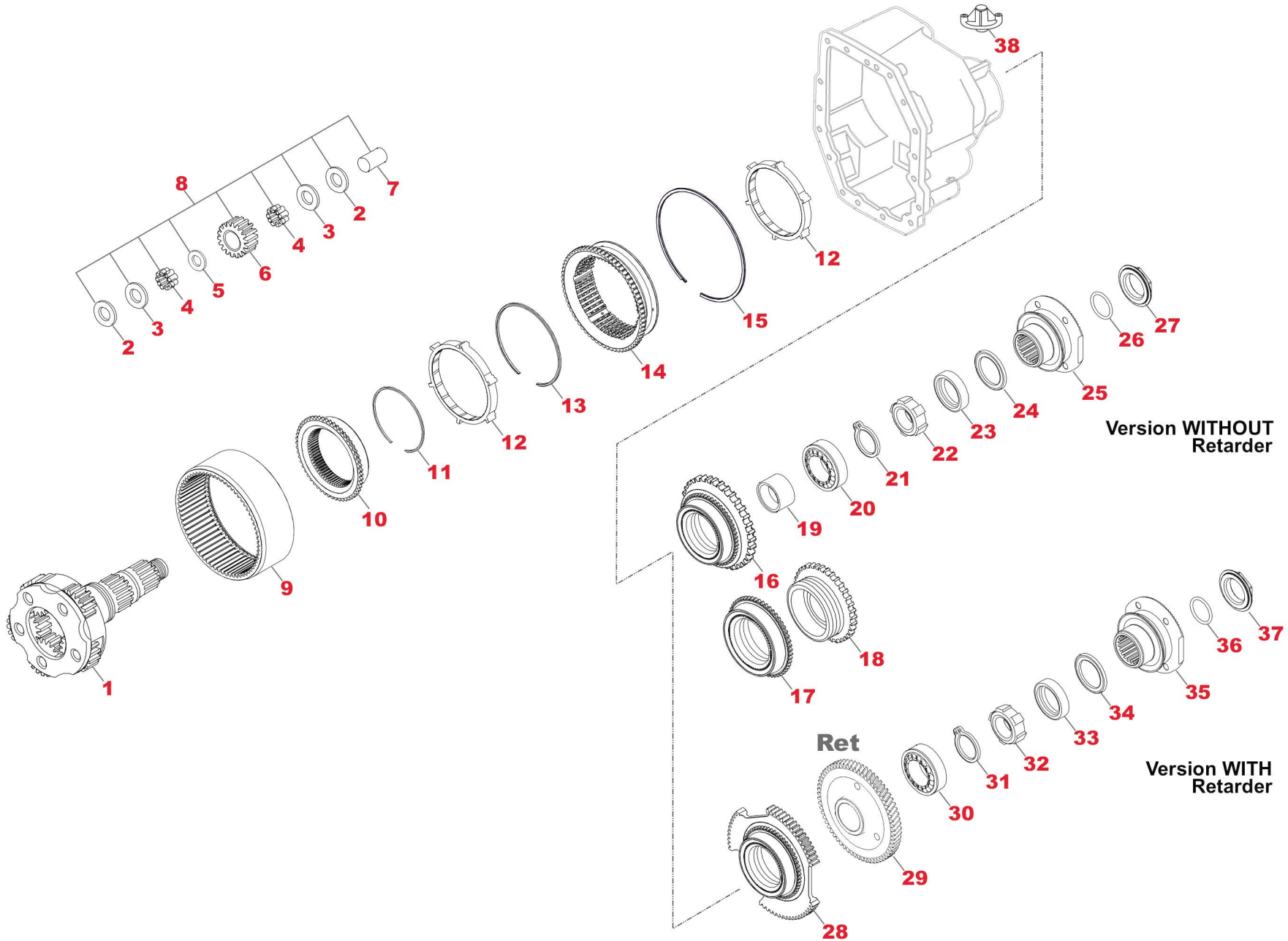
## Notes



**TRACTOR AUTOMOBILE SPARES**  
A WORLD OF QUALITY PARTS



# VT2214B - VT02214B





CH	FIG.	TAS no.	GEM no.	Description	Qty	Note	Note1	Ex/Cross	Ex/Cross
C05	18	<b>T94022</b>	21170061	COUPLING RING	1	New Type			
C05	19	<b>T46304</b>	1669997	BUSH	1		Single Power Steering		
C05	19	<b>T46987</b>	20471104	BUSH	1		Double Power Steering		
C05	20	<b>T46306</b>	21170624	BALL BEARING (70X140X26)	1			21001091	1652604
C05	21	<b>T46308</b>	914556	LOCK RING (T.4,00)	1				
C05	21	<b>T46311</b>	1652804	LOCK RING (T.3,90)	1				
C05	21	<b>T46310</b>	1652803	LOCK RING (T.3,80)	1				
C05	21	<b>T46309</b>	1652802	LOCK RING (T.3,70)	1				
C05	22	<b>T46312</b>	3191944	WHEEL SENSOR	1		Single Power Steering		
C05	22	<b>T46988</b>	1521751	WHEEL SENSOR	1		Double Power Steering		
C05	23	<b>T38580</b>	1652776	OIL SEAL RING (90X145X10)	1				
C05	24	<b>T46316</b>	1652622	OIL SEAL RING (90X111X6/8)	1			1523124	
C05	25	<b>T46318</b>	8172618	FLANGE OUTPUT	1		Single Power Steering		
C05	25	<b>T46989</b>	8172620	FLANGE OUTPUT	1		Double Power Steering		
C05	26	<b>T46320</b>	976053	O-RING (59X70,4X5,7)	1				
C05	27	<b>T46322</b>	8171338	NUT (M60X2)	1			1672160	8171956
C05	28	<b>T46323</b>	1672262	SYNCHRO CONE (45T.)	1				
C05	29	<b>T46324</b>	1521257	RETARDER GEAR (63T.)	1				

## Notes

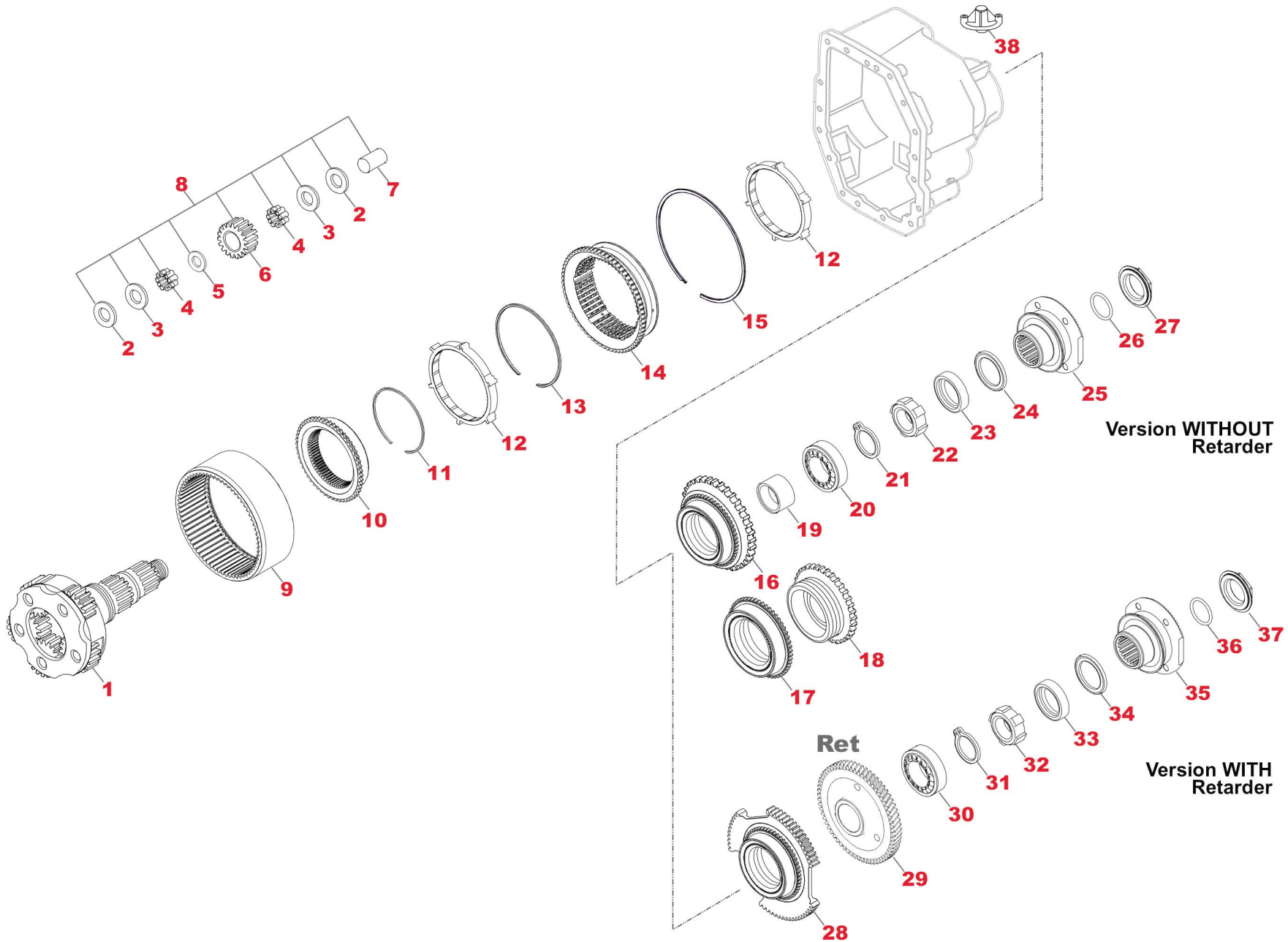


**TRACTOR AUTOMOBILE SPARES**  
A WORLD OF QUALITY PARTS

Page 25



# VT2214B - VT02214B



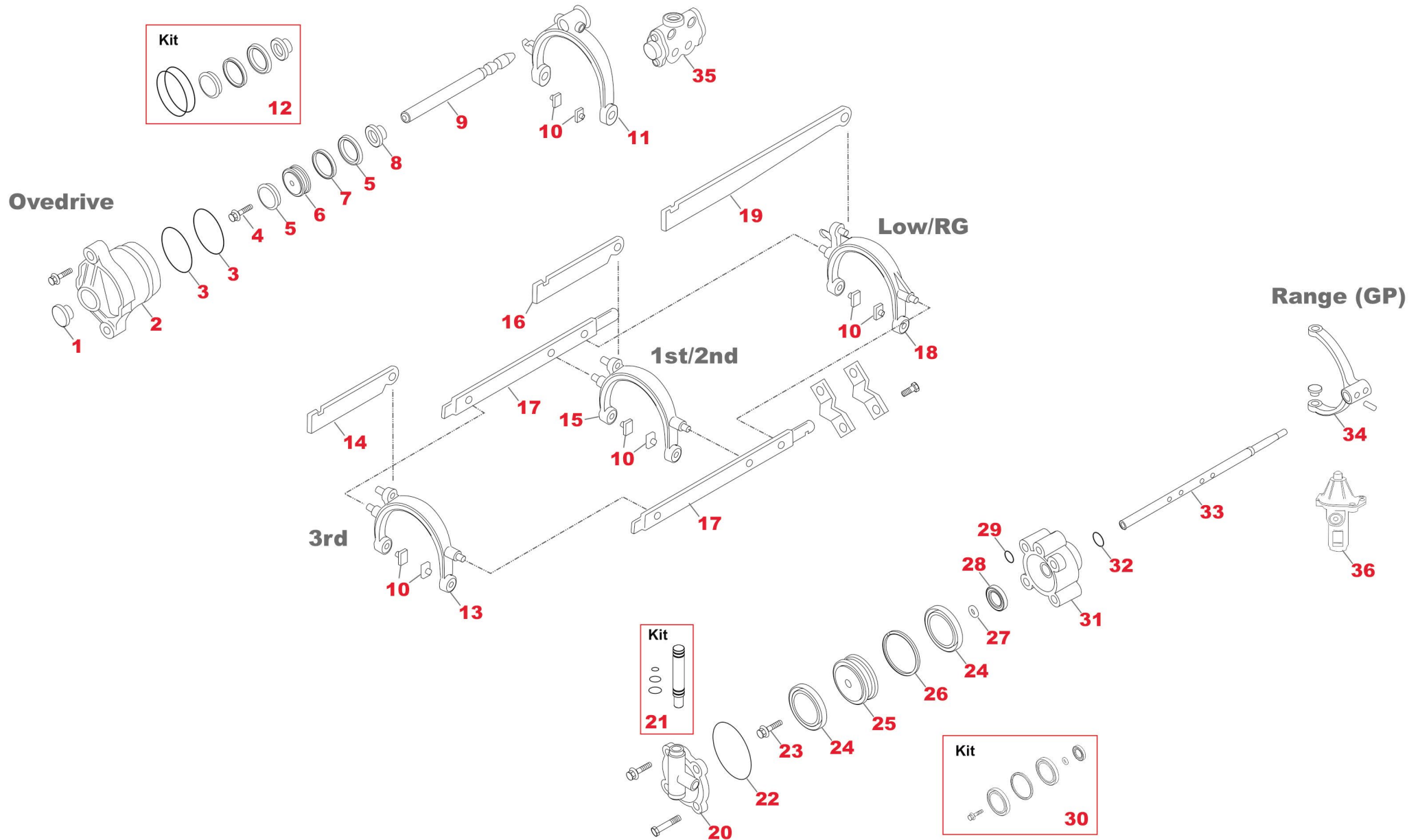
CH	FIG.	TAS no.	GEM no.	Description	Qty	Note	Note1	Ex/ Cross	Ex/ Cross
C05	30	<b>T46306</b>	21170624	BALL BEARING (70X140X26)	1			21001091	1652604
C05	31	<b>T46308</b>	914556	LOCK RING (T.4,00)	1				
C05	31	<b>T46311</b>	1652804	LOCK RING (T.3,90)	1				
C05	31	<b>T46310</b>	1652803	LOCK RING (T.3,80)	1				
C05	31	<b>T46309</b>	1652802	LOCK RING (T.3,70)	1				
C05	32	<b>T46312</b>	3191944	WHEEL SENSOR	1				
C05	33	<b>T38580</b>	1652776	OIL SEAL RING (90X145X10)	1				
C05	34	<b>T46316</b>	1652622	OIL SEAL RING (90X111X6/8)	1			1523124	
C05	35	<b>T46327</b>	8172622	FLANGE OUTPUT	1				
C05	36	<b>T46320</b>	976053	O-RING (59X70,4X5,7)	1				
C05	37	<b>T46322</b>	8171338	NUT (M60X2)	1			1672160	8171956
C05	38	<b>T85510</b>	8172165	COVER	1			8172068	

## Notes





# VT2214B - VT02214B



CH	FIG.	TAS no.	GEM no.	Description	Qty	Note	Note1	Ex/ Cross	Ex/ Cross
C06	1	<b>T78265</b>	20366642	PLUG	1				
C06	2	<b>T59436</b>	1521976	CYLINDER	1			1521587	
C06	3	<b>T51081</b>	976044	O-RING (70X3)	2				
C06	4	<b>T78266</b>	984756	SCREW	1			979864	965186
C06	5	<b>T47148</b>	1669537	OIL SEAL RING (52X64X4,8)	2				
C06	6	<b>T80294</b>	3150146	PISTON	1	(S)	Old Type 9,10 mm		
C06	6	<b>T78267</b>	20761838	PISTON	1	(T)	New Type 8,50 mm		
C06	7	<b>T51083</b>	1069418	SEAL RING (63X59,9X8)	1				
C06	8	<b>T51084</b>	3192302	OIL SEAL RING	1				
C06	9	<b>T78625</b>	1521524	TIE ROD	1	(S)	Old Type		
C06	9	<b>T73103</b>	20761839	TIE ROD	1	(T)	New Type		
C06	10	<b>T10001</b>	382565	SLIDING BLOCK (BRONZE)	8				
C06	11	<b>T46217</b>	1521934	FORK	1				
C06	12	<b>T50210</b>	3092575	OIL SEALS RING KIT	1				
C06	13	<b>T46241</b>	1521517	FORK	1				
C06	14	<b>T41582</b>	1521519	TIE ROD	1				
C06	15	<b>T46242</b>	1521523	FORK	1				
C06	16	<b>T41580</b>	1521516	TIE ROD	1				

### Notes

(S) To be coupled together (Old Version with 9,10 mm Piston)

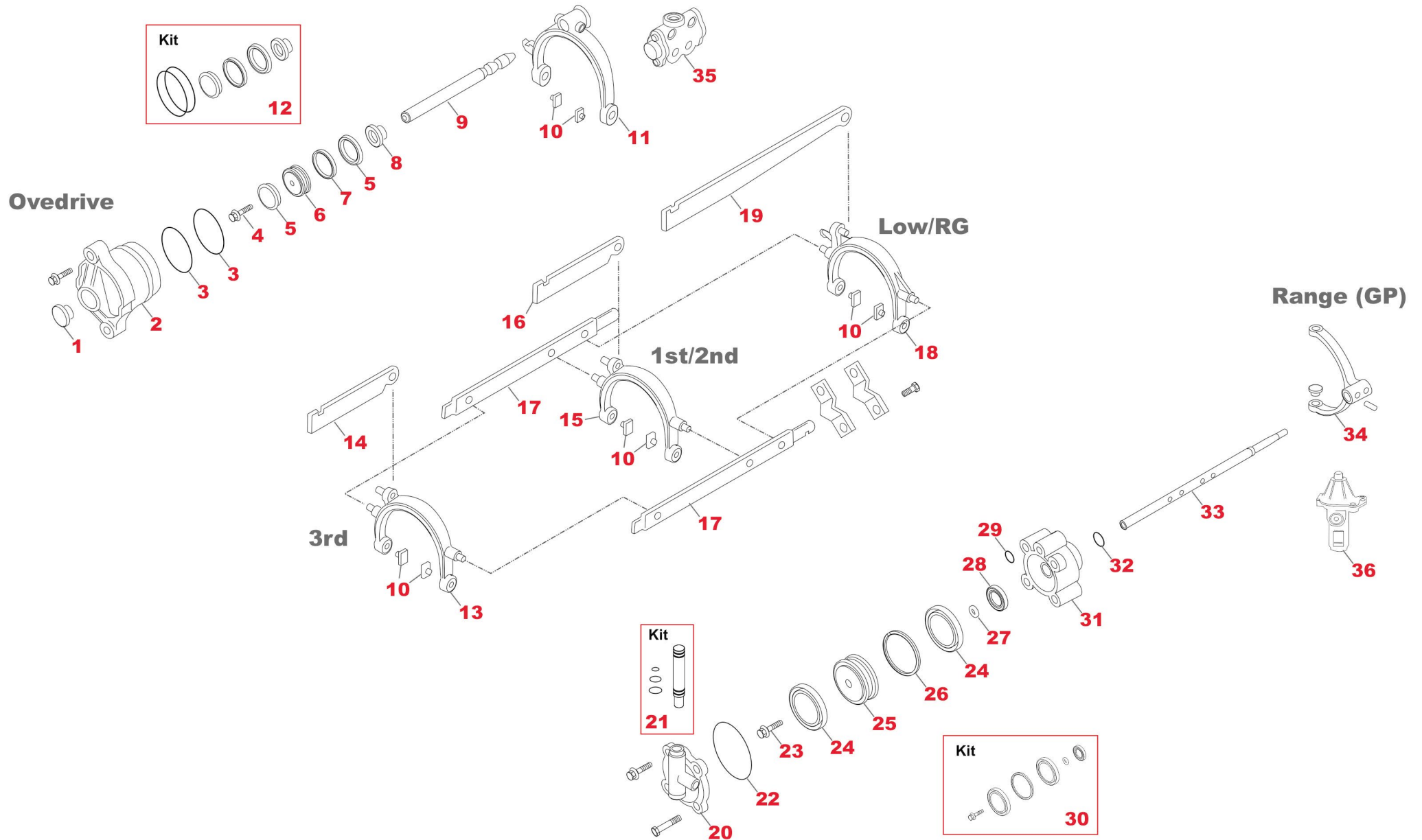
(T) To be coupled together (New Version with 8,50 mm Piston)



**TRACTOR AUTOMOBILE SPARES**  
A WORLD OF QUALITY PARTS



# VT2214B - VT02214B



CH	FIG.	TAS no.	GEM no.	Description	Qty	Note	Note1	Ex/ Cross	Ex/ Cross
C06	17	<b>T41579</b>	1521935	TIE ROD	2				
C06	18	<b>T46243</b>	1521932	FORK REVERSE	1				
C06	19	<b>T41581</b>	1521936	TIE ROD	1				
C06	20	<b>T55939</b>	21450362	VALVE	1			20590252	20366720
C06	21	<b>T48443</b>	3092513	REPAIR KIT	1				
C06	22	<b>T55941</b>	3094588	O-RING	1				
C06	23	<b>T78266</b>	984756	SCREW	1			979864	965186
C06	24	<b>T47328</b>	3192614	OIL SEAL RING (91X74,8X5,5)	2				
C06	25	<b>T47345</b>	1521943	PISTON	1				
C06	26	<b>T47369</b>	20365523	SEAL RING	1				
C06	27	<b>T47341</b>	466922	O-RING (12,3X2,4)	1				
C06	28	<b>T47359</b>	1652751	OIL SEAL RING (28X39X9/11)	1				
C06	29	<b>T47153</b>	968617	O-RING (7,1X1,6)	1				
C06	30	<b>T47348</b>	3093230	OIL SEALS RING KIT	1			3092050	276820
C06	31	<b>T47057</b>	1656239	CYLINDER	1				
C06	32	<b>T47342</b>	949659	O-RING (34X3)	1				
C06	33	<b>T48268</b>	1521944	TIE ROD	1		Models W/OUT Retarder		
C06	33	<b>T55942</b>	1521956	TIE ROD	1		Models WITH Retarder		

### Notes

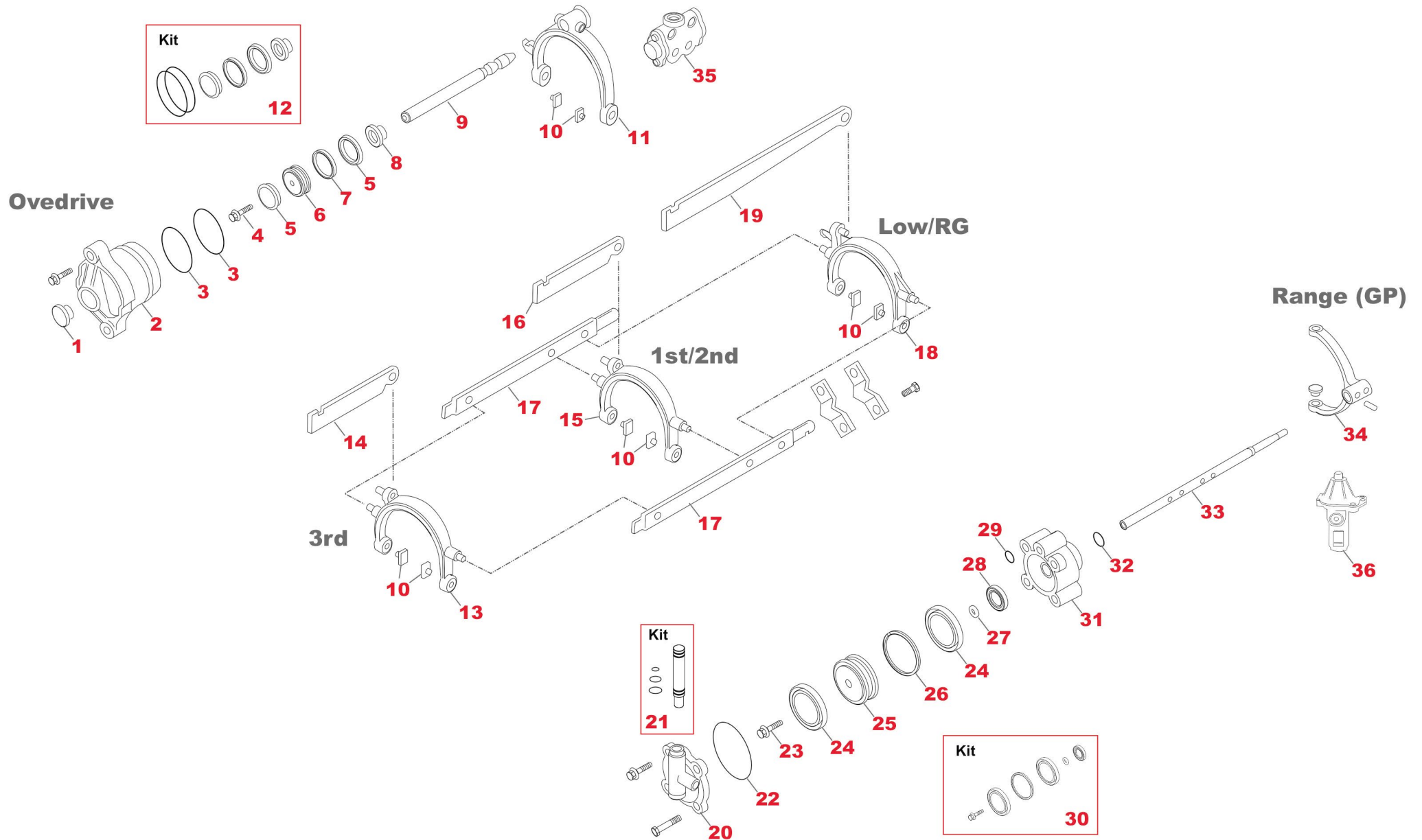
- (S) To be coupled together (Old Version with 9,10 mm Piston)  
(T) To be coupled together (New Version with 8,50 mm Piston)



**TRACTOR AUTOMOBILE SPARES**  
A WORLD OF QUALITY PARTS



# VT2214B - VT02214B





CH	FIG.	TAS no.	GEM no.	Description	Qty	Note	Note1	Ex/Cross	Ex/Cross
C06	34	<b>T46329</b>	1652919	FORK	1		Assy With Roller		
C06	35	<b>T59424</b>	20775173	VALVE	1	VT		21740038	8171247
C06	35	<b>T78269</b>	20775168	VALVE	1	VTO		8171245	
C06	36	<b>T63664</b>	1672231	VALVE	1				

**Notes**

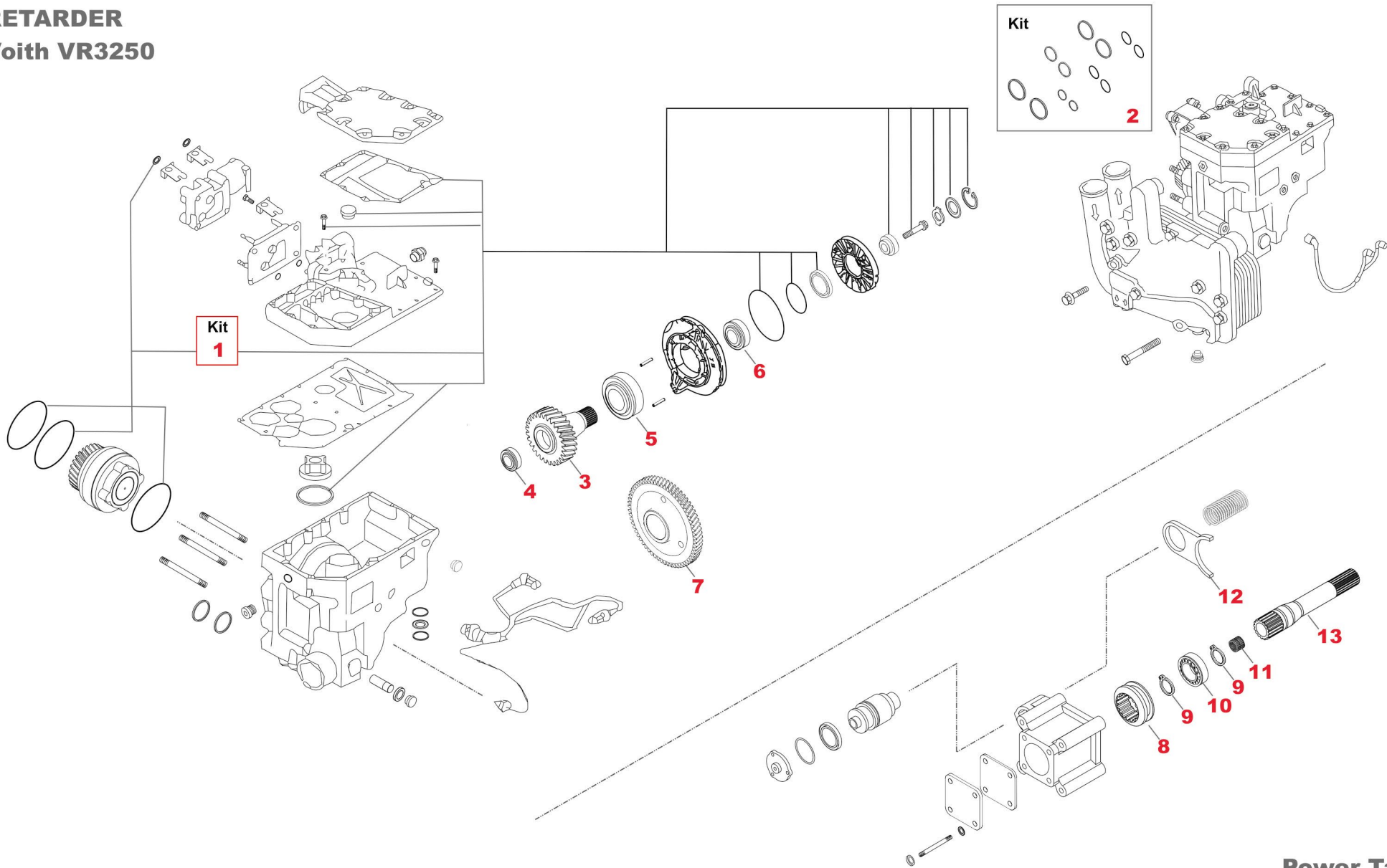
- (S) To be coupled together (Old Version with 9,10 mm Piston)
- (T) To be coupled together (New Version with 8,50 mm Piston)





# VT2214B - VT02214B

## RETARDER Voith VR3250



**P.T.O.**  
**Power Take Off**

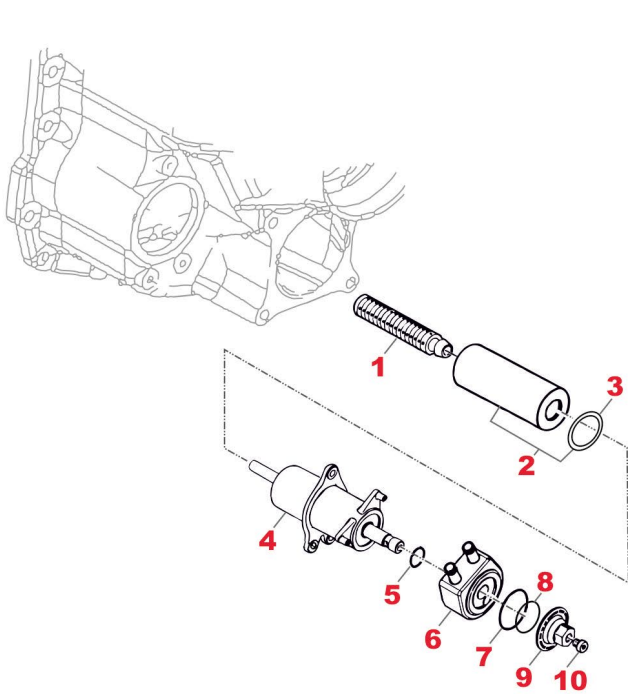
CH	FIG.	TAS no.	GEM no.	Description	Qty	Note	Note1	Ex/ Cross	Ex/ Cross
C07	1	<b>T84066</b>	1530 0046 010	GASKET KIT VOITH RETARDER VR3250 FOR I-SHIFT	1				
C07	2	<b>T76020</b>	8171156	O-RING KIT	1				
C07	3	<b>T81915</b>	67.1153.15	SHAFT VOITH RETARDER VR3250 FOR I-SHIFT	1				
C07	4	<b>T41636</b>	H53054513	NEEDLE BEARING	1			67.2996.10	
C07	5	<b>T41634</b>	1900 1001 810	NEEDLE BEARING ROLLER(60X130X31)	1			NJ312EM.C3	
C07	6	<b>T41635</b>	1900 0874 410	NEEDLE BEARING (40X90X23)	1			QJ 308	
C07	7	<b>T46324</b>	1521257	RETARDER GEAR (63T.)	1				
C07	8	<b>T55314</b>	1667266	SLIDING SLEEVE (16T.)	1				
C07	9	<b>T47737</b>	914472	SEEGER RING (T.2,00)	2				
C07	10	<b>T94020</b>	1655380	BEARING (50X90X23)	1				
C07	11	<b>T41731</b>	1655383	ROLLER BEARING (30X35X13)	1			1655383	
C07	12	<b>T41633</b>	1653858	FORK	1				
C07	13	<b>T51549</b>	1653840	SHAFT P.T.O.	1		Models W/Out Retarder		
C07	13	<b>T73364</b>	1672126	SHAFT P.T.O.	1		Models With Retarder		

## Notes

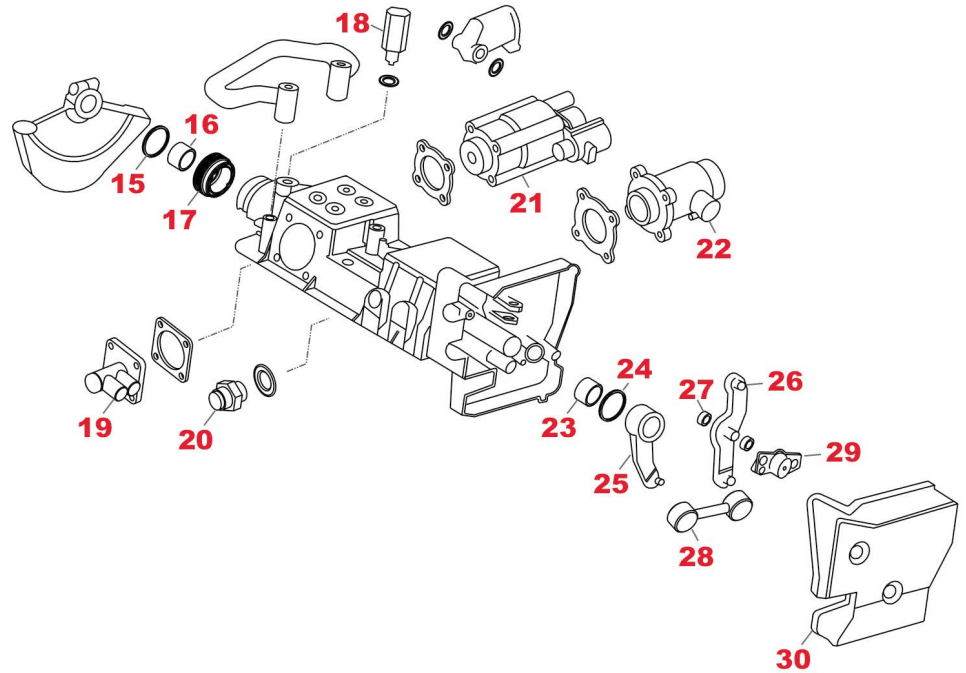


**TRACTOR AUTOMOBILE SPARES**  
A WORLD OF QUALITY PARTS

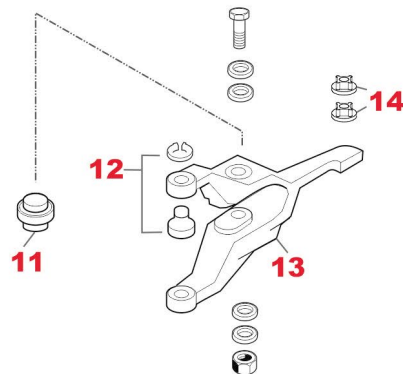
## OIL FILTER



## GEAR LEVER CARRIER



## CLUTCH FORK COMP.



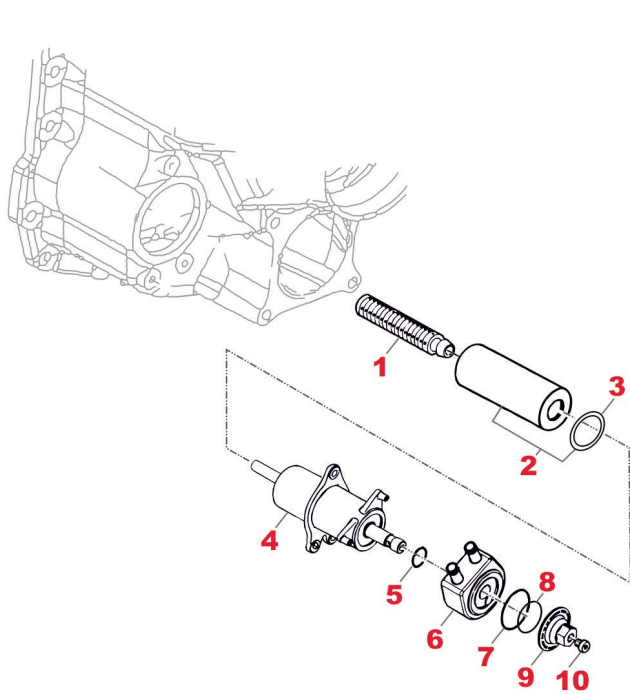
CH	FIG.	TAS no.	GEM no.	Description	Qty	Note	Note1	Ex/ Cross	Ex/ Cross
C99	1	<b>T41638</b>	1069997	OIL FILTER TUBE	1				
C99	2	<b>T41639</b>	22023120	OIL FILTER KIT	1				
C99	3	<b>T41641</b>	21854860	O-RING	1				
C99	4	<b>T41640</b>	21969323	OIL FILTER PROTECTION	1			21566448	21566497
C99	5	<b>T51251</b>	949657	O-RING (22,2X3)	1				
C99	6	<b>T41644</b>	21360064	CONNECTION BLOCK	1		With Fig. 7		
C99	6	<b>T41643</b>	21983348	CONNECTION BLOCK	1		Without Fig. 7	20700752	
C99	7	<b>T41642</b>	20769993	O-RING	1				
C99	8	<b>T47154</b>	967343	O-RING	1				
C99	9	<b>T41645</b>	21450629	COVER	1				
C99	10	<b>T41646</b>	1521691	PLUG	1				
C99	11	<b>T50241</b>	20806212	BEARING (14X35X27,60)	1			20571133	3191967
C99	12	<b>T64225</b>	3150188	CAM ROLLER	2				
C99	13	<b>T71883</b>	8172031	FORK	1		Assy with cam roller		
C99	14	<b>T94019</b>	3150319	BUSH	2				
C99	15	<b>T61185</b>	3152527	OIL SEAL RING 28X42X7	1				
C99	16	<b>T76811</b>	183272	NEEDLE ROLLER BEARING (28X35X20)	1				
C99	17	<b>T61184</b>	1526573	RUBBER SLEEVE	1				

## Notes

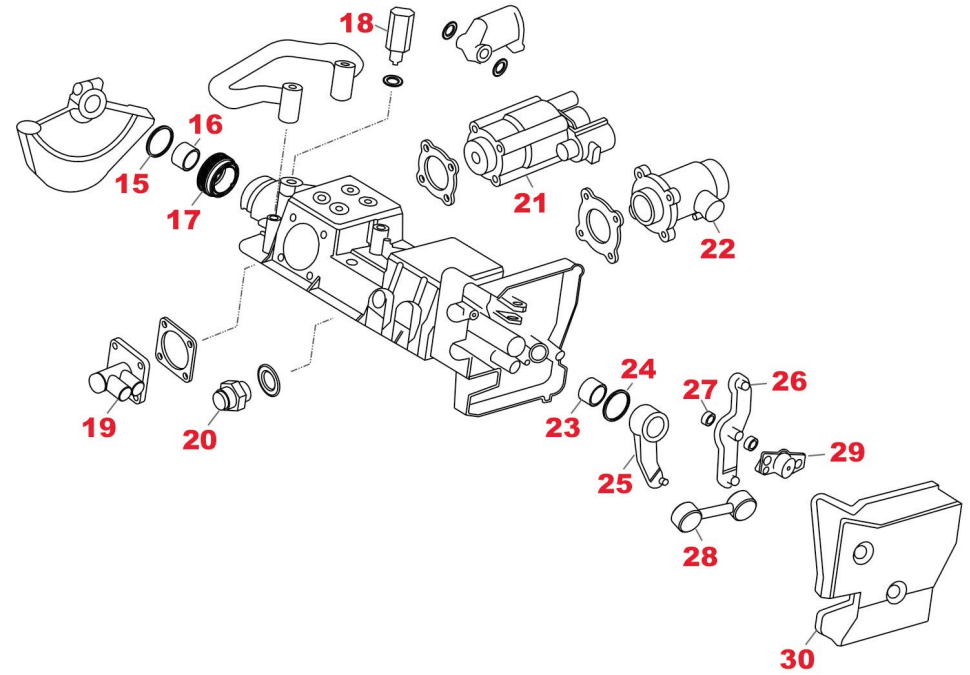


**TRACTOR AUTOMOBILE SPARES**  
A WORLD OF QUALITY PARTS

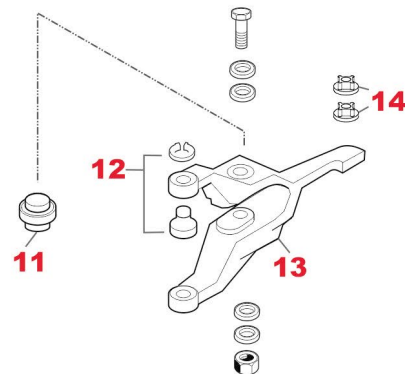
## OIL FILTER



## GEAR LEVER CARRIER



## CLUTCH FORK COMP.



CH	FIG.	TAS no.	GEM no.	Description	Qty	Note	Note1	Ex/ Cross	Ex/ Cross
C99	18	<b>T55943</b>	3192533	PLUG	1			1521829	3192540
C99	19	<b>T76825</b>	8172628	VALVE	1				
C99	20	<b>T51271</b>	3197870	SWITCH	1				
C99	21	<b>T51273</b>	20783875	LOCK CYLINDER	1			20772366	20557162
C99	22	<b>T41732</b>	20872625	VALVE	1			8171739	1521698
C99	23	<b>T76811</b>	183272	NEEDLE ROLLER BEARING (28X35X20)	1				
C99	24	<b>T70682</b>	8171450	OIL SEAL RING 28X37X7	1				
C99	25	<b>T41655</b>	20889192	BRACKET	1			20515838	
C99	26	<b>T41653</b>	20888628	BRACKET	1			20515841	
C99	27	<b>T76822</b>	183368	NEEDLE ROLLER BEARING (14X20X14)	2				
C99	28	<b>T64224</b>	20365902	CONTROL HOUSING BAR	1				
C99	29	<b>T41654</b>	20889334	BRACKET	1			8171455	
C99	30	<b>T41652</b>	20972260	COVER	1			20730795	

## Notes



VL-CT-002



## **GEARBOX AND DIFFERENTIAL SPARE PARTS**

### **Sede Amministrativa / Head Office**

Via Argine, 306, 80147

Napoli (Italy)

Tel: +39 081 7520645

Fax: +39 081 7529475

email: [web@tas-spa.com](mailto:web@tas-spa.com)

<http://www.tas-spa.com>

### **Stabilimento Produttivi / Production Plant**

Via Dell'Industria, 1

Argelato- Bologna (Italy)

Tel: +39 051 758154

Fax: +39 051 732707

email: [web@tas-spa.com](mailto:web@tas-spa.com)

<http://www.tas-spa.com>

[www.tas-spa.com](http://www.tas-spa.com)