

2020



**GEARBOX AND DIFFERENTIAL
SPARE PARTS**

Gearbox and Differential spare parts
suitable to :

VOLVO

VT2814B

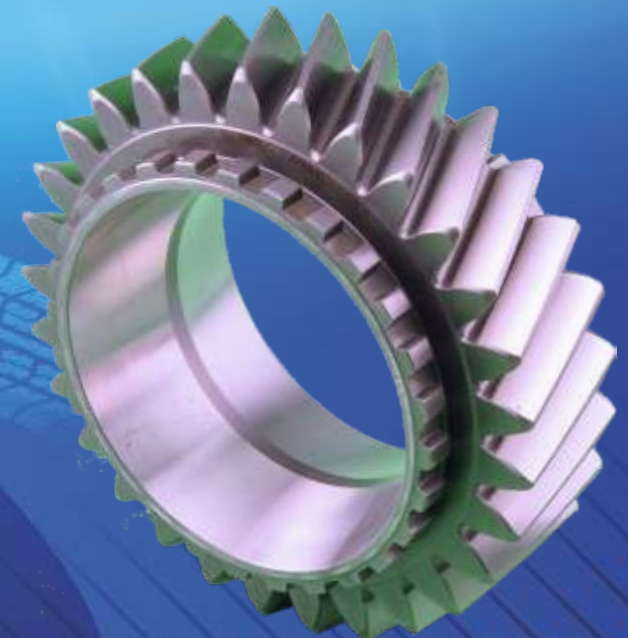
VT02814B

FH/FM Version 1

FH/FM Version 2

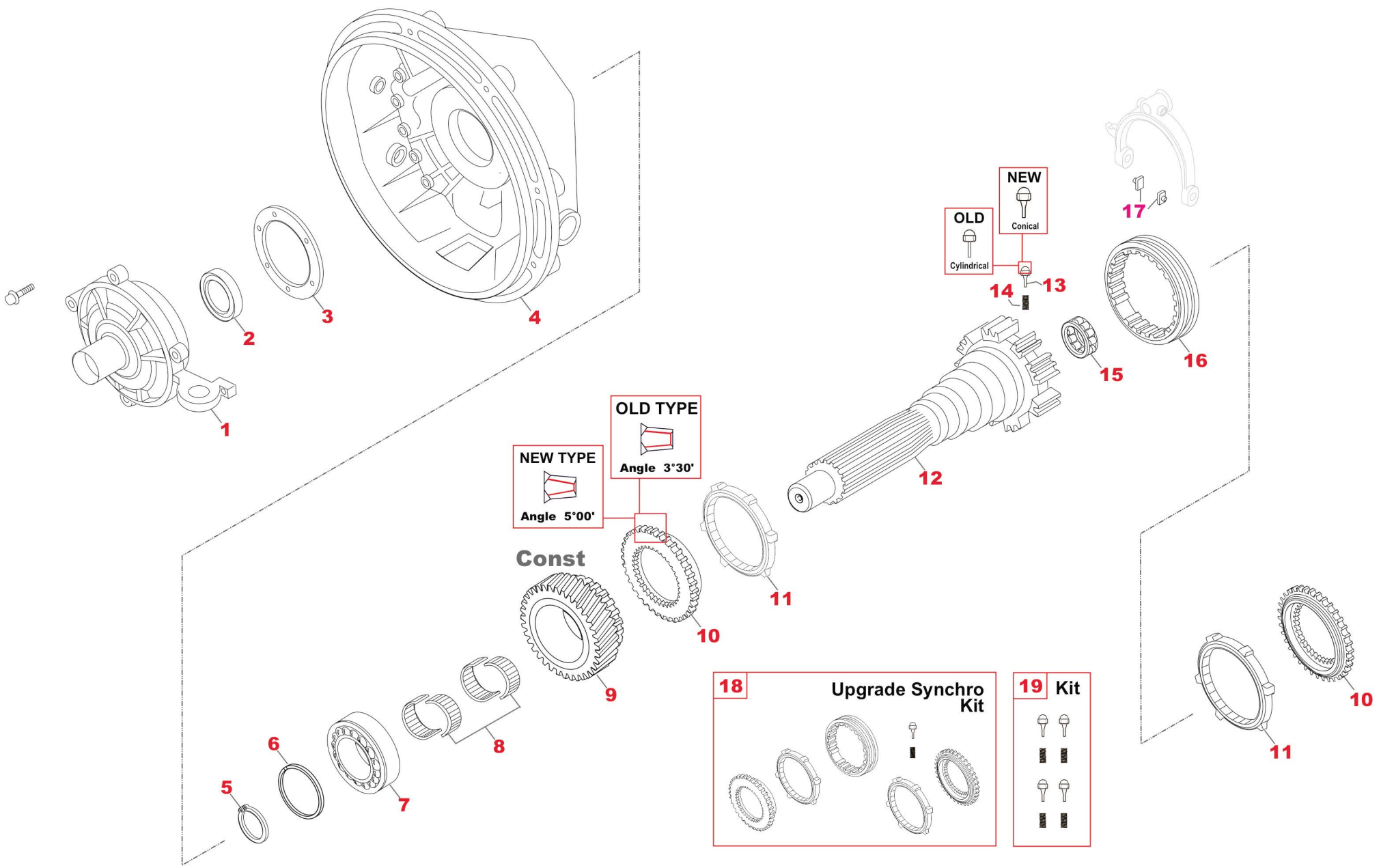
FMX

Engine EURO IV & V & VI





VT2814B - VT02814B



CH	FIG.	TAS no.	OEM no.	Description	Qty	Note	Note1	Ex/ Cross	Ex/ Cross
C01	1	T46190	20366711	COVER FRONT	1			1521978	
C01	2	T38578	20476025	OIL SEAL RING (64,9X90X9,5/10)	1			1521431	
C01	3	T46191	1521564	GASKET	1				
C01	4	T78575	22287649	HOUSING GEARBOX FRONT	1			21344085	21093748
C01	5	T47062	1654102	SEEGER RING (T.2,90)	1				
C01	5	T46193	1654101	SEEGER RING (T.2,80)	1				
C01	5	T46192	1654100	SEEGER RING (T.2,70)	1				
C01	6	T46210	1652322	SHIM (T.1,78)	1				
C01	6	T46209	1652321	SHIM (T.1,74)	1				
C01	6	T46208	1652320	SHIM (T.1,70)	1				
C01	6	T46207	1652319	SHIM (T.1,66)	1				
C01	6	T46206	1652318	SHIM (T.1,62)	1				
C01	6	T46205	1652317	SHIM (T.1,58)	1				
C01	6	T46204	1652316	SHIM (T.1,54)	1				
C01	6	T46203	1652315	SHIM (T.1,50)	1				
C01	6	T46202	1652314	SHIM (T.1,46)	1				
C01	6	T46201	1652313	SHIM (T.1,42)	1				
C01	6	T46200	1652312	SHIM (T.1,38)	1				

Notes

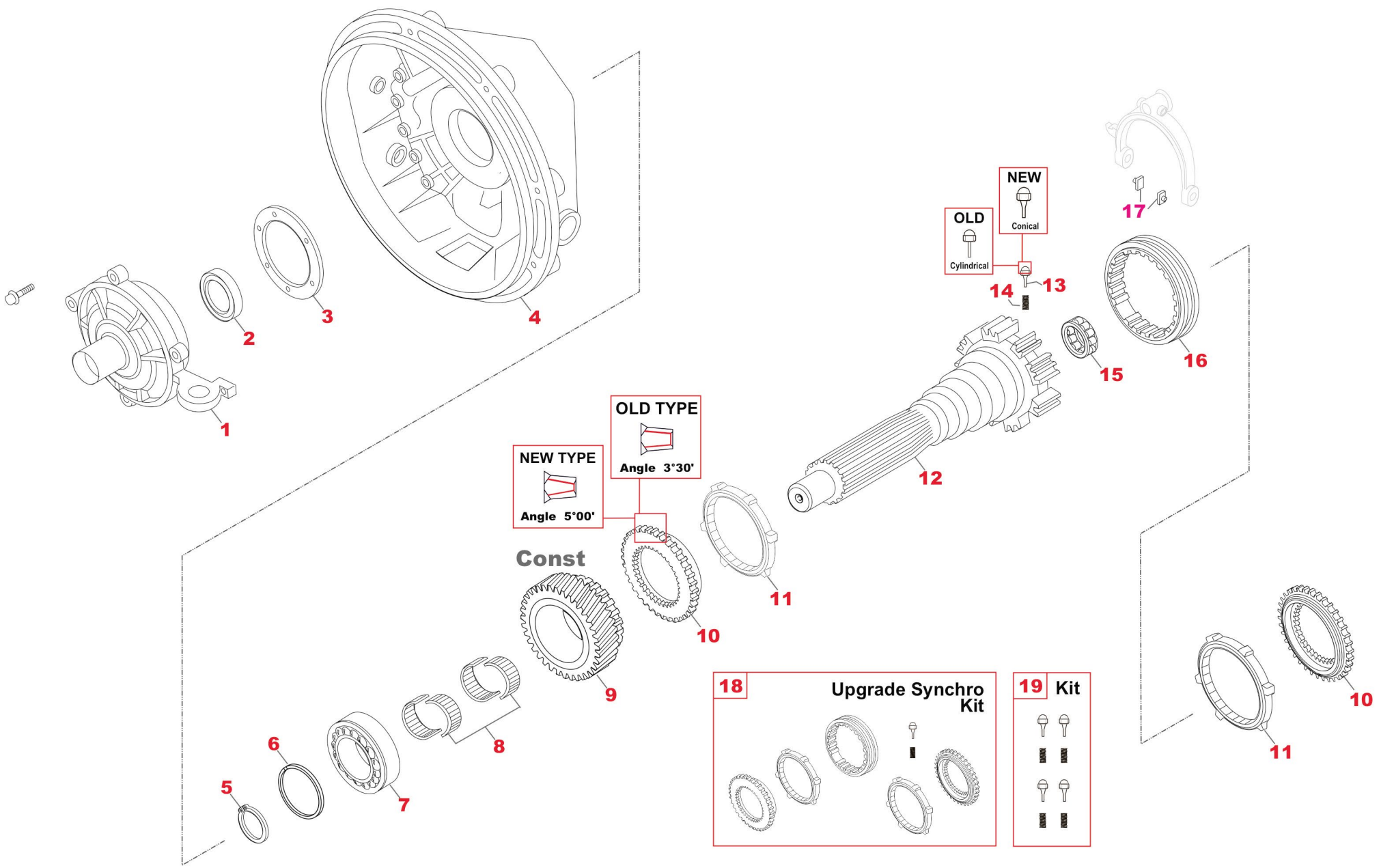
- (A) To be coupled together (Version with 3° 30' Conical Angle)
- (B) To be coupled together (Version with 5° 00' Conical Angle)



TRACTOR AUTOMOBILE SPARES
A WORLD OF QUALITY PARTS



VT2814B - VT02814B



CH	FIG.	TAS no.	OEM no.	Description	Qty	Note	Note1	Ex/ Cross	Ex/ Cross
C01	6	T46199	1652311	SHIM (T.1,34)	1				
C01	6	T46198	1652309	SHIM (T.1,26)	1				
C01	6	T46197	1652308	SHIM (T.1,22)	1				
C01	6	T46196	1652307	SHIM (T.1,18)	1				
C01	6	T46195	1652306	SHIM (T.1,14)	1				
C01	6	T46194	1652300	SHIM (T.0,90)	1				
C01	7	T22669	1656129	TAPERED ROLLER BEARING (70X150X39,8)	1				
C01	8	T46211	1654088	NEEDLE BEARING 2PCS (92X100X27)	1			21652566	1652566
C01	9	T18278	20776783	CONSTANT GEAR (31-28T.)	1	VT		20854441	1521416
C01	9	T74328	20776788	CONSTANT GEAR (38-28T.)	1	VTO		20366955	
C01	10	T18263	1673541	SYNCHRO CONE (54-28T.)	2	(A)	OLD TYPE	21673541	
C01	10	T19359	21994372	SYNCHRO CONE (54-28T.)	2	(B)	NEW TYPE	20760515	
C01	11	T18081	21992993	SYNCHRO RING	2			1521438	8171737
C01	12	T38977	8171556	INPUT SHAFT W/PINS+SPRINGS	1	10 SPLINES	With Kit Fig.19	1673542	20781951
C01	12	T18284	1069239	INPUT SHAFT W/PINS+SPRINGS	1	24 SPLINES	With Kit Fig.19	20769602	20904803
C01	13	T18280	20766774	PRESSURE PLUNGER	4		CONICAL TYPE	1521966	
C01	14	T18279	21140387	SPRING	4			20845477	20771480
C01	15	T23884	1656116	TAPERED ROLLER BEARING (40X38)	1				

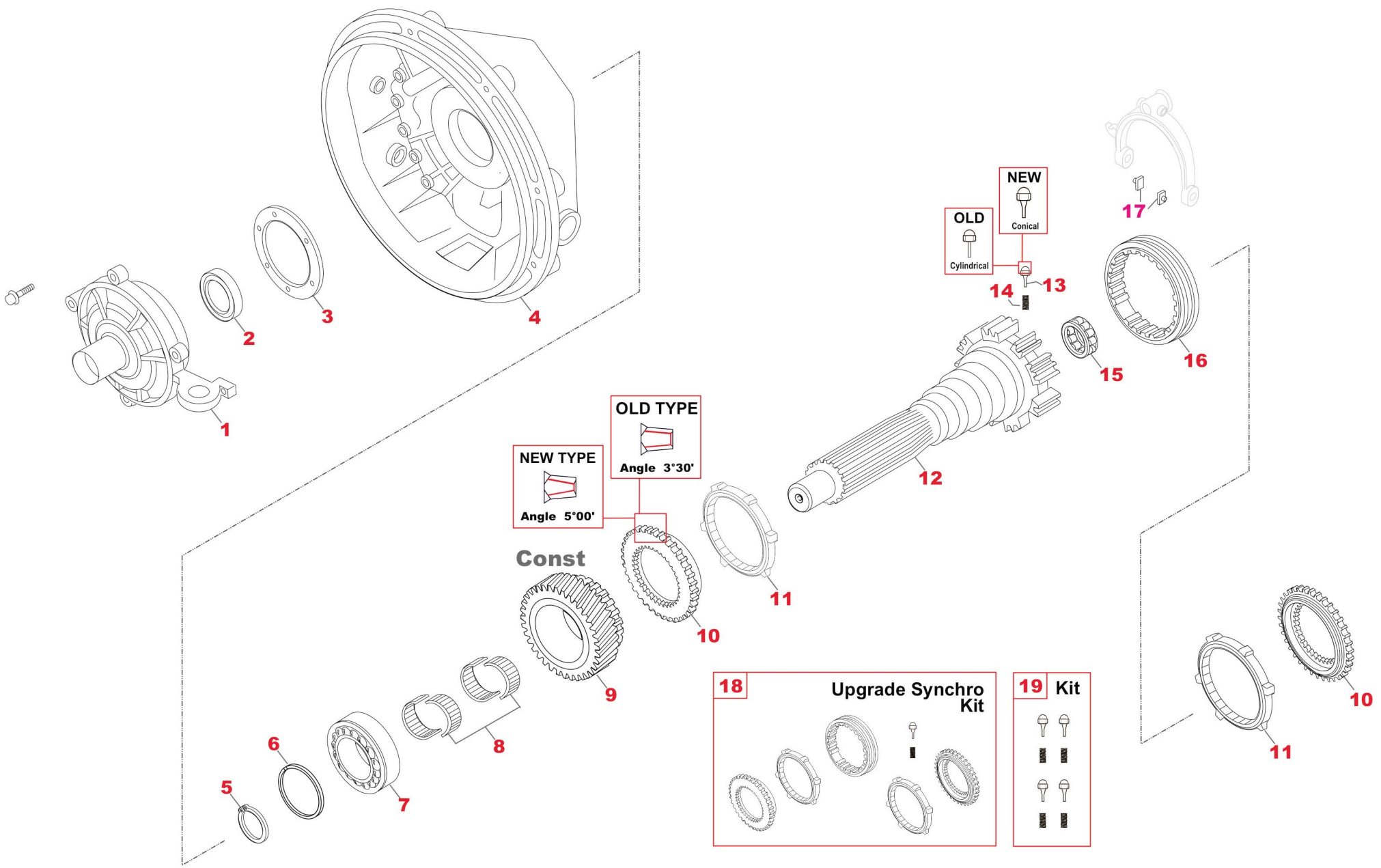
Notes

- (A) To be coupled together (Version with 3° 30' Conical Angle)
 (B) To be coupled together (Version with 5° 00' Conical Angle)





VT2814B - VT02814B



CH	FIG.	TAS no.	OEM no.	Description	Qty	Note	Note1	Ex/ Cross	Ex/ Cross
C01	16	T19357	1673540	SYNCHRO SLIDING SLEEVE (54T.)	1	(A)	OLD TYPE	21673540	
C01	16	T19358	21994373	SYNCHRO SLIDING SLEEVE (54T.)	1	(B)	NEW TYPE	20760512	
C01	17	T10001	382565	SLIDING BLOCK (BRONZE)	2				
C01	18	T93470	TAS93470	SYNCHRO KIT	1	(A)	OLD TYPE		
C01	18	T73852	21671426	SYNCHRO KIT	1	(B)	NEW TYPE		
C01	19	T65048	21141850	KIT PINS+SPRINGS	1			20805870	20845497

Notes

- (A) To be coupled together (Version with 3° 30' Conical Angle)
- (B) To be coupled together (Version with 5° 00' Conical Angle)

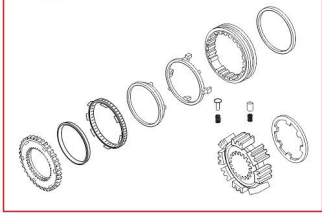


TRACTOR AUTOMOBILE SPARES
A WORLD OF QUALITY PARTS

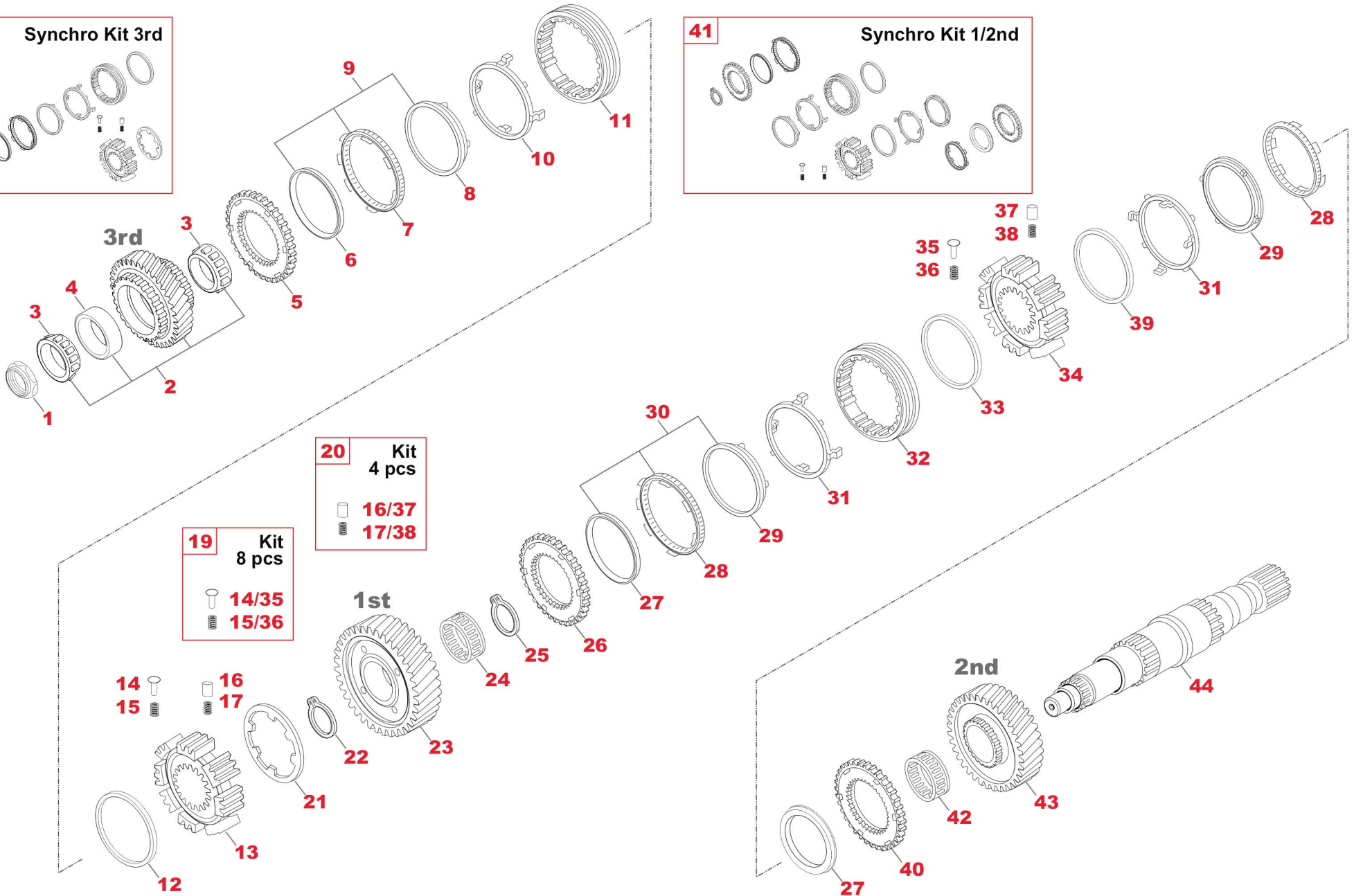
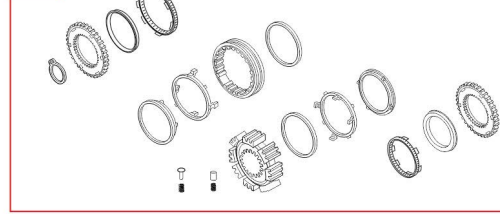


VT2814B - VT02814B

18 Synchro Kit 3rd



41 Synchro Kit 1/2nd



19 Kit
8 pcs
14/35
15/36

20 Kit
4 pcs
16/37
17/38

CH	FIG.	TAS no.	OEM no.	Description	Qty	Note	Note1	Ex/Cross	Ex/Cross
C02	1	T46216	1521449	NUT M60X2	1				
C02	2	T20622	8172640	3RD SPEED GEAR KIT (28-29-28T.)	1	VT		28172640	
C02	2	T51209	20537776	3RD SPEED GEAR KIT (33-28T.)	1	VTO		20366958	
C02	3	T20623	1521596	TAPERED ROLLER BEARING (65X34)	2				
C02	4	T20621	1521657	SPACER (T.10,26)	1				
C02	5	T18082	1521878	SYNCHRO CONE (60-28T.)	1			21521878	
C02	6	T18085	3192951	SYNCHRO RING, INNER	1			1069253	23192951
C02	7	T18079	1069254	SYNCHRO RING, INTERMEDIATE	1			21069254	
C02	8	T18080	1069255	SYNCHRO RING, OUTER	1			21069255	
C02	9	T94388	TAS94388	SYNCHRO RING KIT	1				
C02	10	T38362	1521890	PLATE	1		Mechanical control	21521890	
C02	10	T38363	3192111	PLATE	1		Automatic control		
C02	11	T18308	20478729	SYNCHRO SLIDING SLEEVE (60T.)	1	(C)	Total Height = 31,00 mm	1069257	8172416
C02	11	T70627	21278227	SYNCHRO SLIDING SLEEVE (60T.)	1	(D)	Total Height = 32,00 mm		
C02	12	T38364	1521886	ELASTIC RING	1				
C02	13	T20050	1521979	SYNCHRO HUB (60-37T.)	1	(C)		21521979	
C02	13	T74190	21233970	SYNCHRO HUB (60-37T.)	1	(D)			
C02	14	T38971	20804800	PRESSURE PLUNGER	4			8171413	

Notes

(C) To be coupled together (Old Sleeve with a Total Height of 31,00 mm)

(D) To be coupled together (New Sleeve with a Total Height of 32,00 mm)

(H) To be coupled together (Old Sleeve with a Total Height of 32,20 mm)

(L) To be coupled together (New Sleeve with a Total Height of 34,20 mm)

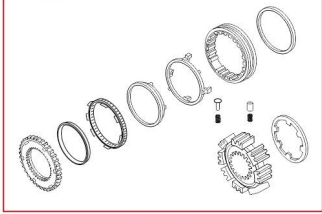


TRACTOR AUTOMOBILE SPARES
A WORLD OF QUALITY PARTS

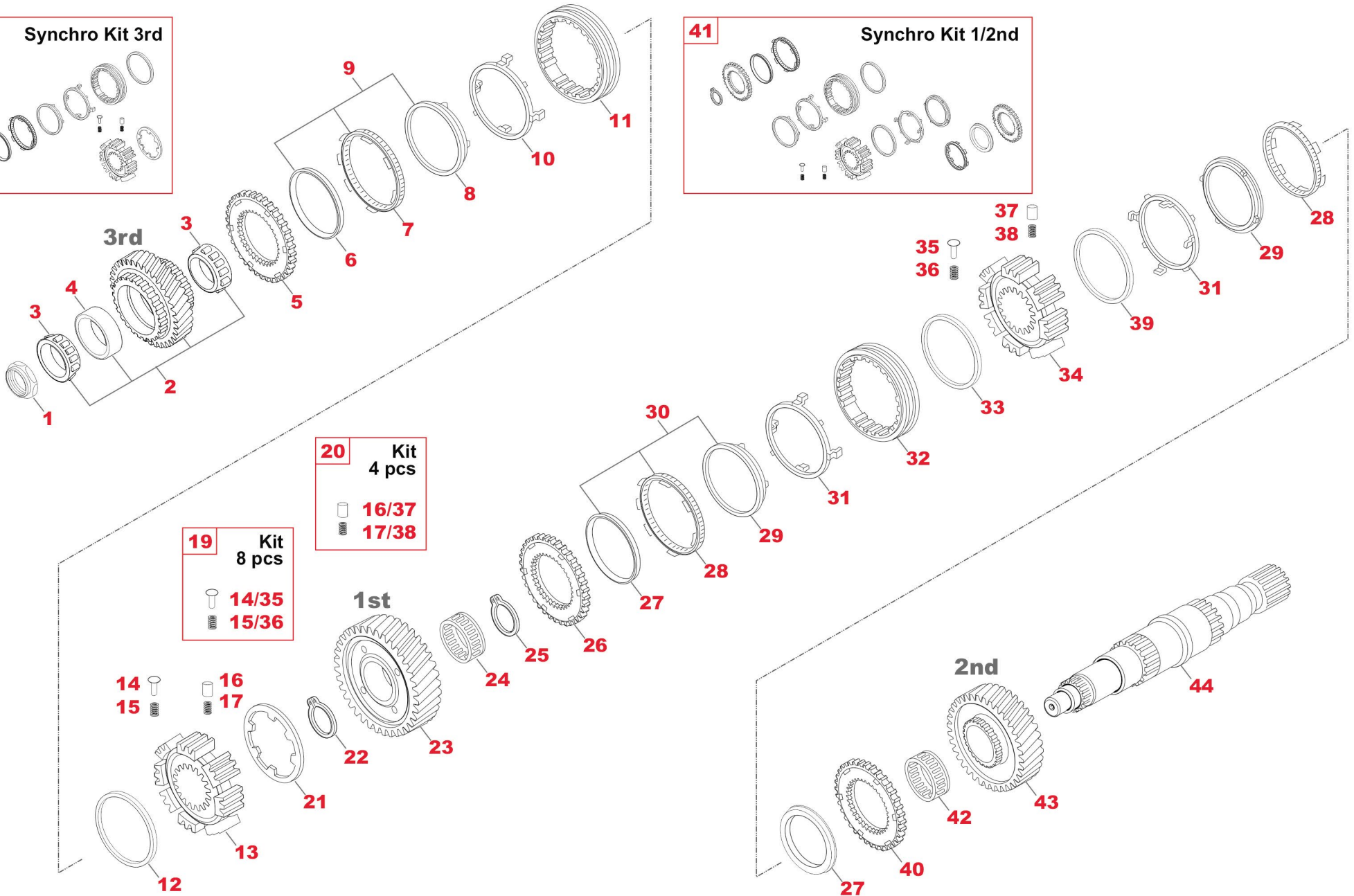
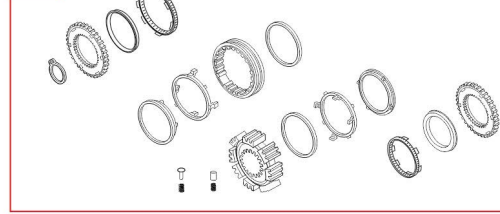


VT2814B - VT02814B

18 Synchro Kit 3rd



41 Synchro Kit 1/2nd



19 Kit
8 pcs
14/35
15/36

20 Kit
4 pcs
16/37
17/38

CH	FIG.	TAS no.	OEM no.	Description	Qty	Note	Note1	Ex/Cross	Ex/Cross
C02	15	T38972	20845629	SPRING	4			1069474	
C02	16	T38973	1521870	PIN	2				
C02	17	T38974	8172433	SPRING	2			1521942	
C02	18	T41631	TAS41631	3RD SPEED GEAR KIT	1				
C02	19	T38970	20847116	KIT PINS+SPRINGS	1				
C02	20	T75868	1004057	KIT PINS+SPRINGS	1				
C02	21	T46219	8172218	LOCK RING	1				
C02	22	T46220	951080	SEEGER RING (103,54X110X4)	1				
C02	23	T39365	1521413	1ST SPEED GEAR (46-28T.)	1			1521916	21733462
C02	24	T46221	1521465	NEEDLE BEARING (85X93X63)	1			1521453	
C02	25	T46222	1521473	RETAINER RING (T.3,20)	1				
C02	25	T46223	1521474	RETAINER RING (T.3,30)	1				
C02	25	T46224	1521475	RETAINER RING (T.3,40)	1				
C02	25	T46225	1521476	RETAINER RING (T.3,50)	1				
C02	26	T18082	1521878	SYNCHRO CONE (60-28T.)	1			21521878	
C02	27	T18085	3192951	SYNCHRO RING, INNER	2			1069253	23192951
C02	28	T18079	1069254	SYNCHRO RING, INTERMEDIATE	2			21069254	
C02	29	T18080	1069255	SYNCHRO RING, OUTER	2			21069255	

Notes

(C) To be coupled together (Old Sleeve with a Total Height of 31,00 mm)

(D) To be coupled together (New Sleeve with a Total Height of 32,00 mm)

(H) To be coupled together (Old Sleeve with a Total Height of 32,20 mm)

(L) To be coupled together (New Sleeve with a Total Height of 34,20 mm)

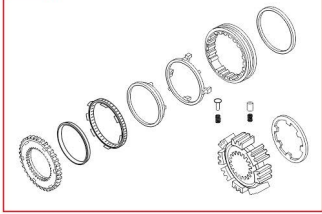


TRACTOR AUTOMOBILE SPARES
A WORLD OF QUALITY PARTS

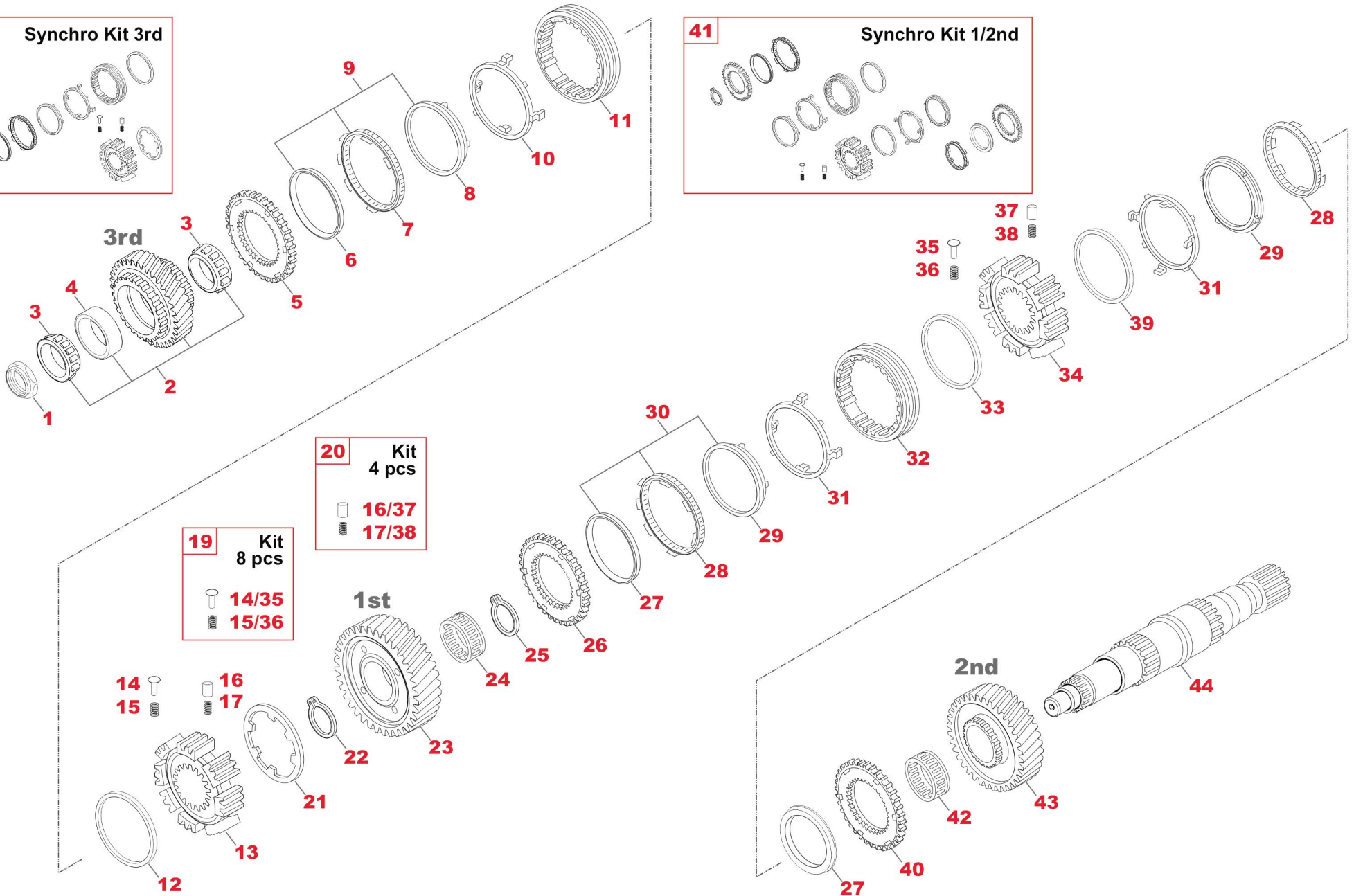
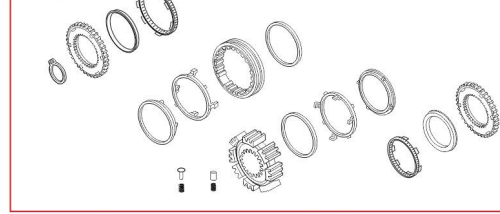


VT2814B - VT02814B

18 Synchro Kit 3rd



41 Synchro Kit 1/2nd



19 Kit
8 pcs
14/35
15/36

20 Kit
4 pcs
16/37
17/38

CH	FIG.	TAS no.	OEM no.	Description	Qty	Note	Note1	Ex/Cross	Ex/Cross
C02	30	T94388	TAS94388	SYNCHRO RING KIT	2				
C02	31	T38362	1521890	PLATE	2		Mechanical control	21521890	
C02	31	T38363	3192111	PLATE	2		Automatic control		
C02	32	T18281	20588775	SYNCHRO SLIDING SLEEVE (60T.)	1	(H)	Total Height = 32,20 mm	1069256	20478726
C02	32	T74191	21278223	SYNCHRO SLIDING SLEEVE (60T.)	1	(L)	Total Height = 34,20 mm		
C02	33	T46226	20588777	ELASTIC RING	1			1521826	8171735
C02	34	T38358	20858492	SYNCHRO HUB (60-45T.)	1	(H)		1521920	20588772
C02	34	T74188	21233969	SYNCHRO HUB (60-45T.)	1	(L)			
C02	35	T38971	20804800	PRESSURE PLUNGER	4			8171413	
C02	36	T38972	20845629	SPRING	4			1069474	
C02	37	T38973	1521870	PIN	2				
C02	38	T38974	8172433	SPRING	2			1521942	
C02	39	T46227	1069888	ELASTIC RING	1			1521827	
C02	40	T38357	1521879	SYNCHRO CONE (60-32T.)	1			21521879	
C02	41	T51089	20907441	SYNCHRO KIT 1ST-2ND SPEED VOLVO VT-VTO	1			20877136	
C02	42	T46228	1521452	NEEDLE BEARING (95X103X60)	1				
C02	43	T46229	20539766	2ND SPEED GEAR (39-32T.)	1				
C02	44	T38975	1521406	MAIN SHAFT (37-45-42-28T.)	1			21521406	

Notes

(C) To be coupled together (Old Sleeve with a Total Height of 31,00 mm)

(D) To be coupled together (New Sleeve with a Total Height of 32,00 mm)

(H) To be coupled together (Old Sleeve with a Total Height of 32,20 mm)

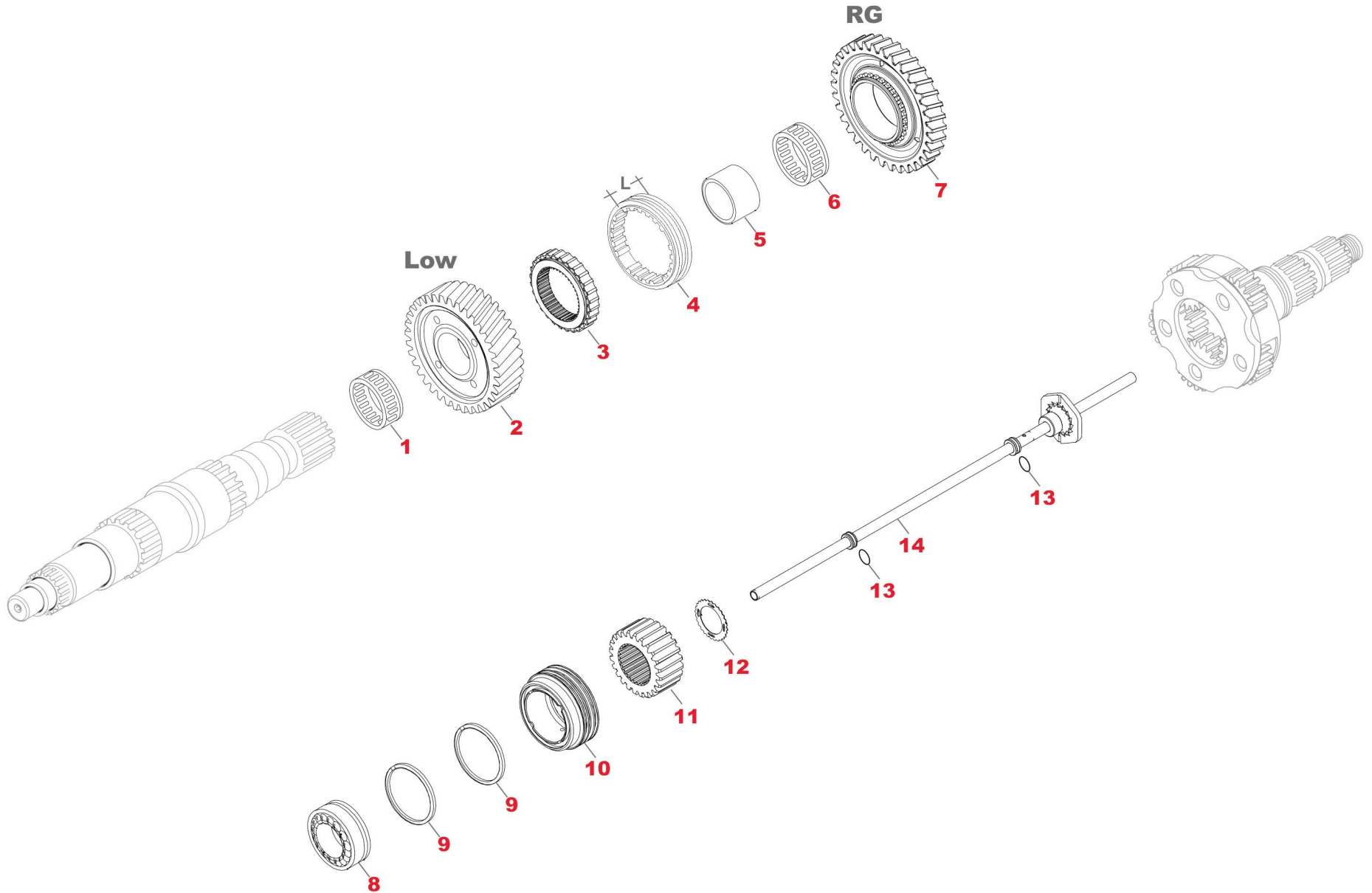
(L) To be coupled together (New Sleeve with a Total Height of 34,20 mm)



TRACTOR AUTOMOBILE SPARES
A WORLD OF QUALITY PARTS



VT2814B - VTO28214B



CH	FIG.	TAS no.	OEM no.	Description	Qty	Note	Note1	Ex/ Cross	Ex/ Cross
C03	1	T46230	1652575	NEEDLE BEARING (90X98X45,5)	1				
C03	2	T46232	20539768	LOW SPEED GEAR (37-28T.)	1				
C03	3	T46234	20366735	SYNCHRO HUB (28-42T.)	1		New Type		
C03	4	T38356	20366826	SYNCHRO SLIDING SLEEVE (28T.)	1		New Type L = 27,00 mm		
C03	4	T74192	21311067	SYNCHRO SLIDING SLEEVE (28T.)	1		Latest Type L = 29,00 mm		
C03	5	T43845	1652578	BUSH (90X80X46,2)	1			21652578	
C03	6	T46230	1652575	NEEDLE BEARING (90X98X45,5)	1				
C03	7	T46236	3152722	REVERSE GEAR (34-28T.)	1			1521908	23152722
C03	8	T22669	1656129	TAPERED ROLLER BEARING (70X150X39,8)	1				
C03	9	T46237	1652820	RING (T.4,50)	2			22328752	
C03	10	T43847	1656232	SPACER	1			21656232	
C03	11	T43849	1521910	SUN GEAR (24T.-28 SPL.)	1			1656226	
C03	12	T46238	20944716	WASHER	1			1652688	
C03	13	T46239	949656	O-RING (19X3)	2			925059	
C03	14	T46240	1656264	OIL PIPE	1			21656264	

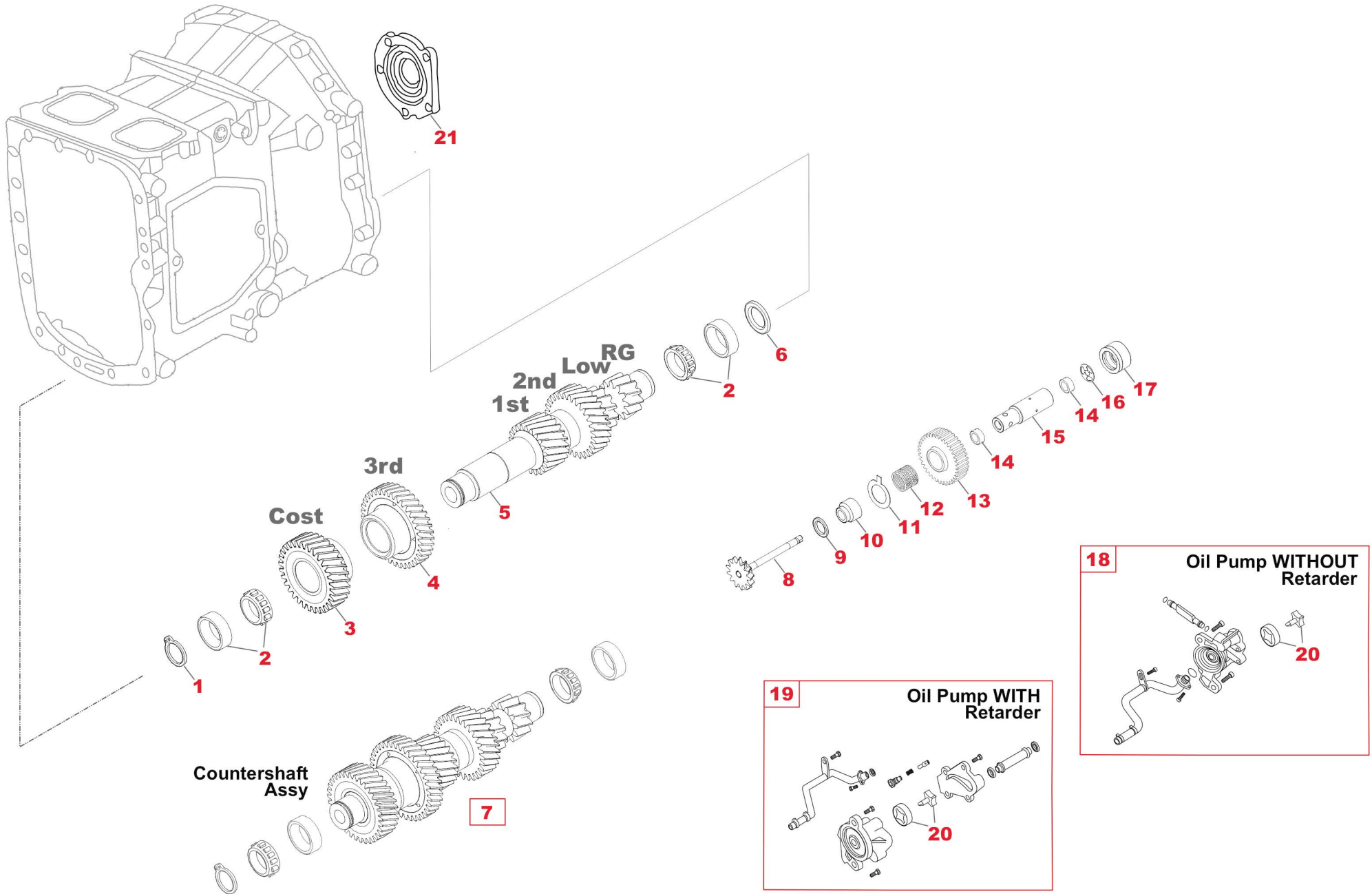
Notes



TRACTOR AUTOMOBILE SPARES
A WORLD OF QUALITY PARTS



VT2814B - VT02814B



CH	FIG.	TAS no.	OEM no.	Description	Qty	Note	Note1	Ex/ Cross	Ex/ Cross
C04	1	T47087	1652801	SEEGER RING (T.2,50)	1				
C04	1	T46246	1652800	SEEGER RING (T.2,40)	1				
C04	1	T47088	1652799	SEEGER RING (T.2,30)	1				
C04	1	T46245	1652798	SEEGER RING (T.2,20)	1				
C04	1	T47089	1652797	SEEGER RING (T.2,10)	1				
C04	1	T46244	1652796	SEEGER RING (T.2,00)	1				
C04	2	T37661	21627792	TAPERED ROLLER BEARING (60X110X38)	2			183665	1652563
C04	3	T18083	1521913	CONSTANT GEAR CNTRSHFT (44T.)	1	VT		1521422	20854437
C04	3	T74321	20366956	CONSTANT GEAR CNTRSHFT (34T.)	1	VTO			
C04	4	T18084	1521914	3RD SPEED GEAR CNTRSHFT (33T.)	1	VT		1521421	20854435
C04	4	T74325	20366957	3RD SPEED GEAR CNTRSHFT (37T.)	1	VTO			
C04	5	T46250	20539764	COUNTERSHAFT (12-12-29-22T.)	1				
C04	6	T55926	25640724	WASHER (T.1,86)	1				
C04	6	T55927	25640723	WASHER (T.1,82)	1				
C04	6	T55928	25640722	WASHER (T.1,78)	1				
C04	6	T55929	25640721	WASHER (T.1,74)	1				
C04	6	T55931	25640719	WASHER (T.1,66)	1				
C04	6	T55932	25640718	WASHER (T.1,62)	1				

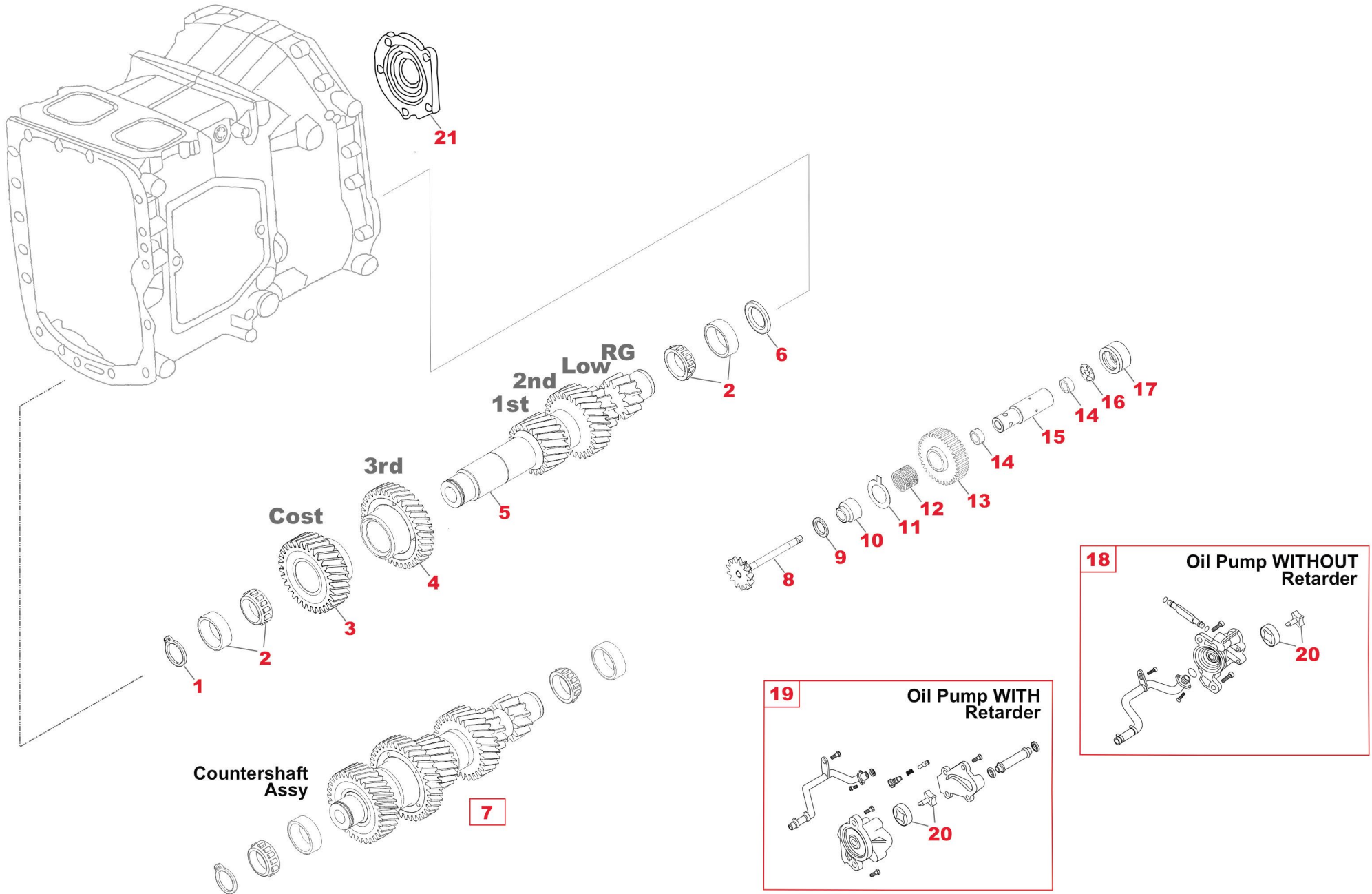
Notes



TRACTOR AUTOMOBILE SPARES
A WORLD OF QUALITY PARTS



VT2814B - VT02814B



CH	FIG.	TAS no.	OEM no.	Description	Qty	Note	Note1	Ex/ Cross	Ex/ Cross
C04	6	T55933	25640717	WASHER (T.1,58)	1				
C04	6	T55934	25640716	WASHER (T.1,54)	1				
C04	6	T55935	25640715	WASHER (T.1,50)	1				
C04	6	T55936	25640714	WASHER (T.1,46)	1				
C04	6	T55937	25640713	WASHER (T.1,42)	1				
C04	6	T55938	25640700	WASHER (T.0,90)	1				
C04	7	T94159	TAS94159	REPAIR KIT FOR VT2514B AND VT2814B	1	VT			
C04	7	T94157	TAS94157	REPAIR KIT FOR VTO2814B	1	VTO			
C04	8	T46264	3192293	OIL PUMP SHAFT (13T.)	1				
C04	9	T46265	1652841	WASHER	1				
C04	10	T46266	1652631	BUSH	1				
C04	11	T46267	1652176	WASHER	1				
C04	12	T46268	1652581	NEEDLE BEARING (42X50X30)	1			21652581	
C04	13	T46269	1521423	REVERSE GEAR (20T.)	1				
C04	14	T46270	183363	NEEDLE BEARING (14X20X12)	2				
C04	15	T46271	20366756	PIVOT REVERSE	1			1652538	
C04	16	T46272	1652948	LOCK RING	1				
C04	17	T46273	1652884	SPACER	1			21652884	

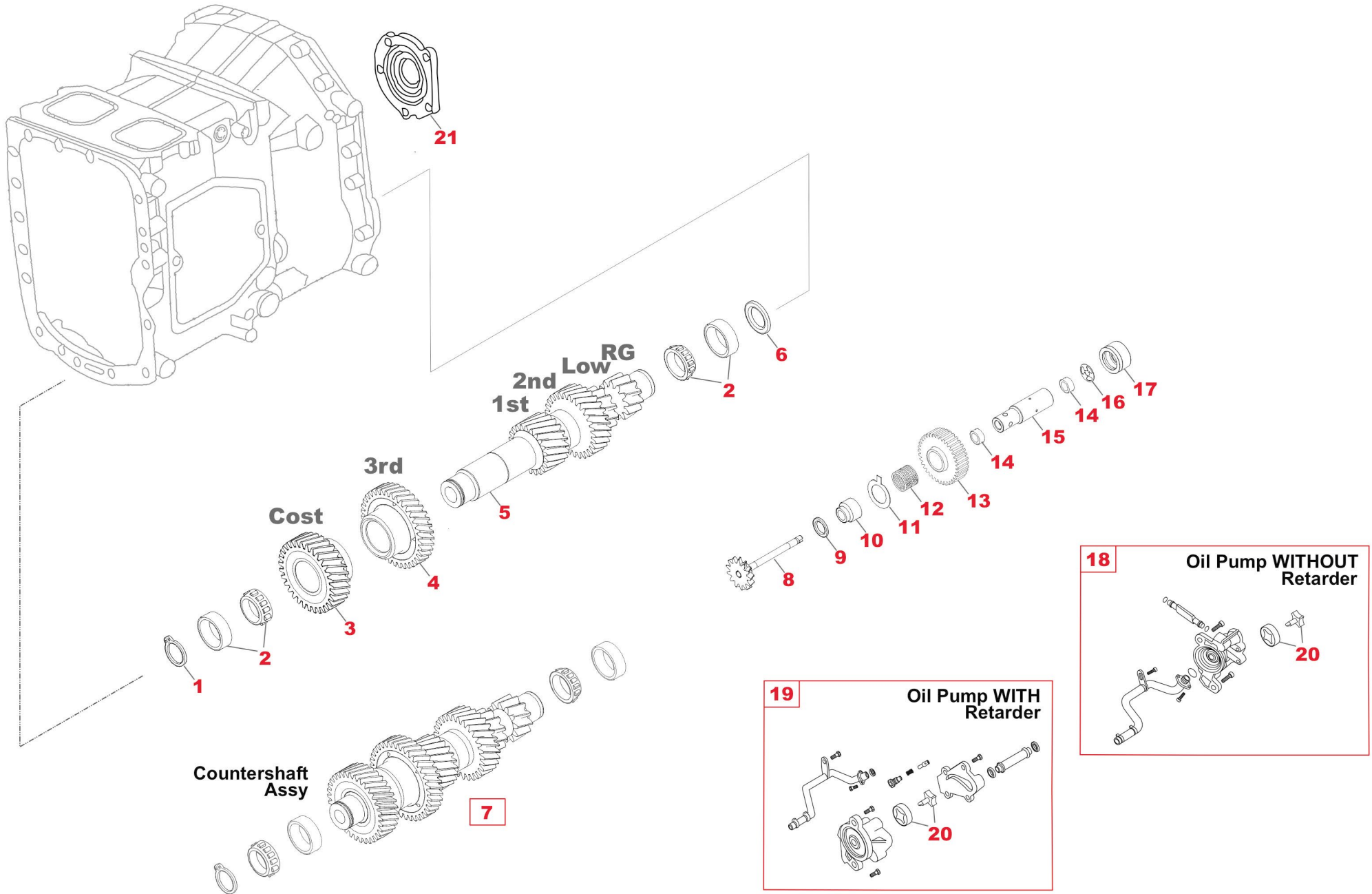
Notes



TRACTOR AUTOMOBILE SPARES
A WORLD OF QUALITY PARTS



VT2814B - VT02814B



CH	FIG.	TAS no.	OEM no.	Description	Qty	Nota	Note1	Ex/ Cross	Ex/ Cross
C04	18	T46274	1521900	OIL PUMP	1		Model W/OUT Retarder		
C04	19	T46281	1673452	OIL PUMP	1		Model WITH Retarder	1656267	
C04	20	T46280	1521787	OIL PUMP REPAIR KIT	1			1652671	
C04	21	T85511	1521841	COVER	1				

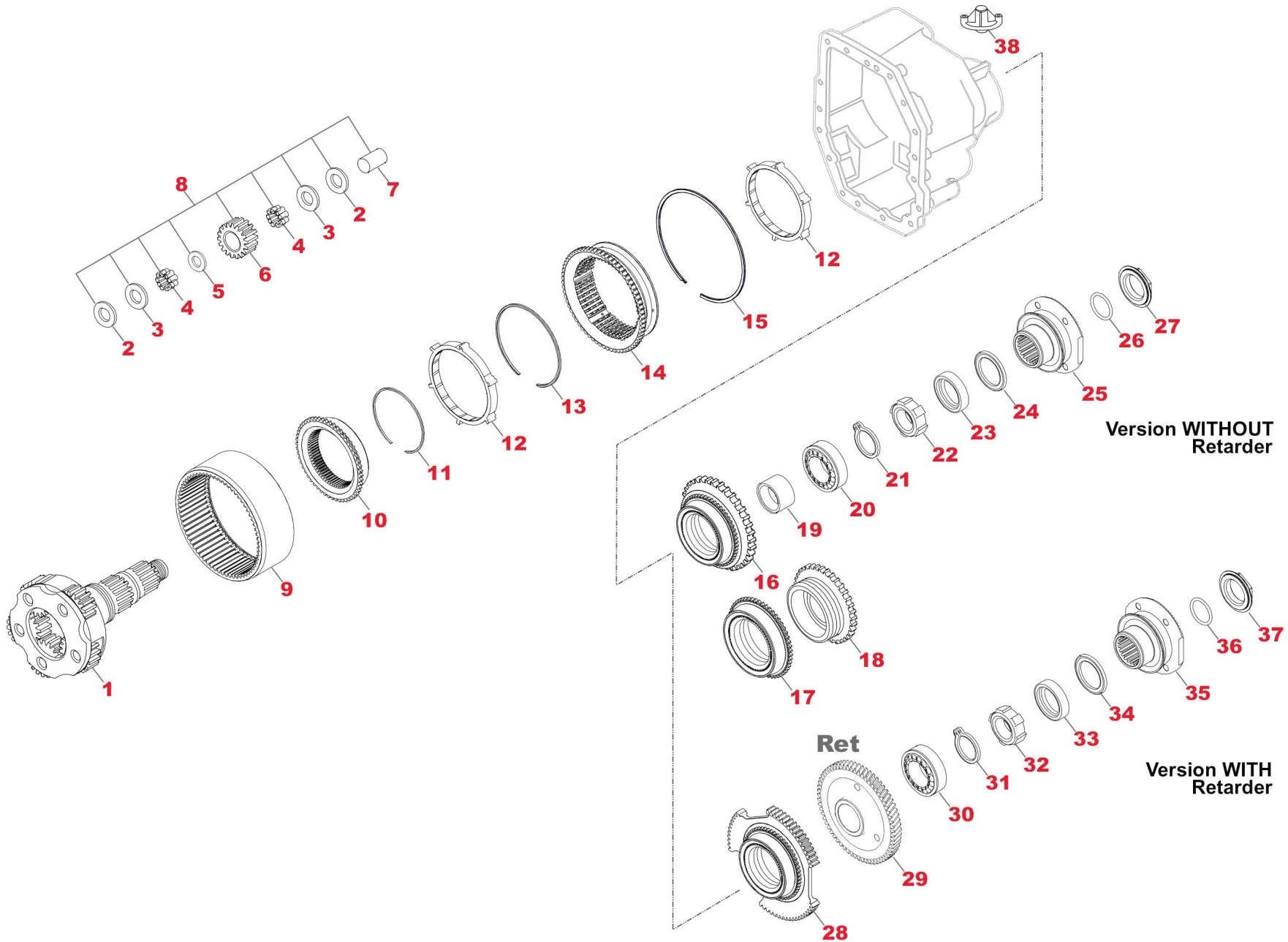
Notes



All original equipment manufacturers' numbers, symbols, pictures, models and description used in this catalogue are for reference only, and it is not implied that any part listed is the product of these manufactures. Tutti i nostri particolari non sono originali ma con essi intercambiabili. I riferimenti originali, le figure, i modelli sono esposti a semplice titolo indicativo. La nostra produzione riporta il nostro marchio.



VT2814B - VT02814B



CH	FIG.	TAS no.	OEM no.	Description	Qty	Nota	Note1	Ex/ Cross	Ex/ Cross
C05	1	T46292	1521407	PLANETARY CARRIER W/GEARS	1	ASSY	Models W/OUT Retarder		
C05	1	T46293	1672203	PLANETARY CARRIER W/GEARS	1	ASSY (L)	Models WITH Retarder		
C05	1	T94018	22502043	PLANETARY CARRIER W/GEARS	1	ASSY (M)	Models WITH Retarder (6x4)	20866363	20794933
C05	1	T70626	22502050	PLANETARY CARRIER W/GEARS	1	ASSY (M)	Models WITH Retarder (8x4)	20866364	20794931
C05	2	T46284	8171167	WASHER BRONZE (T.1,00)	10			1522390	
C05	3	T46285	8171165	WASHER IRON (T.1,00)	10			1522389	
C05	4	T46286	1656113	NEEDLE ROLLER (Ø6X18,9)	200				
C05	5	T46287	267375	SPACER (44,3X36X1,95)	5				
C05	6	T46288	1656208	PLANETARY GEAR (19T.)	5			1521911	
C05	7	T46290	1654054	PIVOT	5				
C05	8	T43839	85107014	PLANETARY REPAIR KIT	1		Kit composed by 5 Units	20276115	276115
C05	9	T43843	1656209	RING GEAR (66T.)	1			22428072	21656209
C05	10	T43814	1668452	SYNCHRO CONE (54-65T.)	1			21668452	
C05	11	T46300	943760	BLOCKING RING	1				
C05	12	T43816	1668456	SYNCHRO RING	2			1668454	1668455
C05	13	T46301	1668459	BLOCKING RING	1				
C05	14	T43740	1068946	SYNCHRO SLIDING SLEEVE (66-54T.)	1			1668458	21068946
C05	15	T46302	8171420	BLOCKING RING	1			1654062	

Notes

(L) To be coupled together

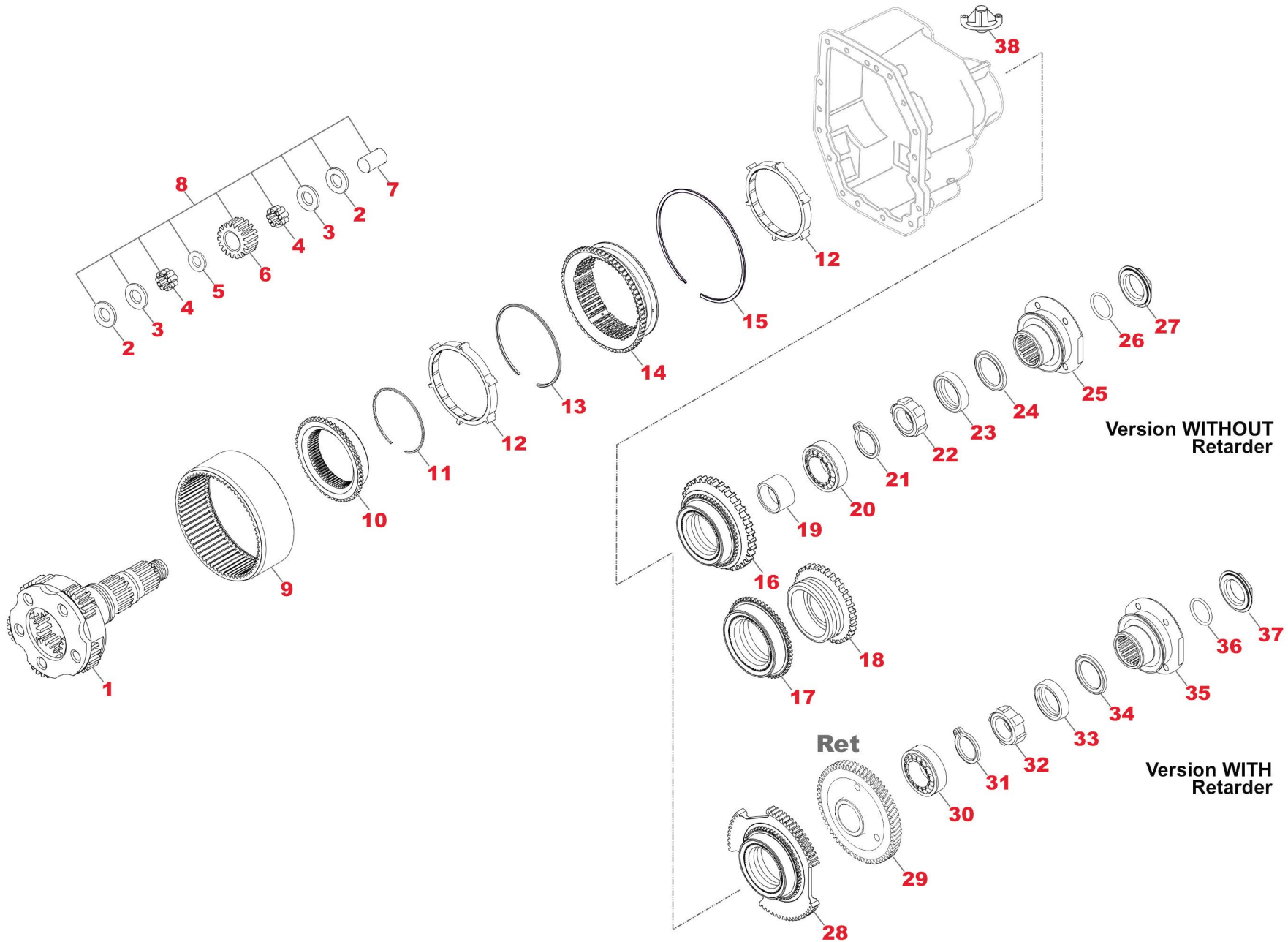
(M) To be coupled together



TRACTOR AUTOMOBILE SPARES
A WORLD OF QUALITY PARTS



VT2814B - VT02814B



CH	FIG.	TAS no.	OEM no.	Description	Qty	Note	Note1	Ex/ Cross	Ex/ Cross
C05	16	T43812	21235526	SYNCHRO CONE (54T.)	1	Old Type		1668450	21668450
C05	17	T94024	21170063	SYNCHRO CONE (54T.)	1	New Type			
C05	18	T94022	21170061	COUPLING RING	1	New Type			
C05	19	T46304	1669997	BUSH	1		Single Power Steering		
C05	19	T46987	20471104	BUSH	1		Double Power Steering		
C05	20	T46306	21170624	BALL BEARING (70X140X26)	1			21001091	1652604
C05	21	T46308	914556	LOCK RING (T.4,00)	1				
C05	21	T46311	1652804	LOCK RING (T.3,90)	1				
C05	21	T46310	1652803	LOCK RING (T.3,80)	1				
C05	21	T46309	1652802	LOCK RING (T.3,70)	1				
C05	22	T46312	3191944	WHEEL SENSOR	1		Single Power Steering		
C05	22	T46988	1521751	WHEEL SENSOR	1		Double Power Steering		
C05	23	T38580	1652776	OIL SEAL RING (90X145X10)	1				
C05	24	T46316	1652622	OIL SEAL RING (90X111X6/8)	1			1523124	
C05	25	T46318	8172618	FLANGE OUTPUT	1		Single Power Steering		
C05	25	T46989	8172620	FLANGE OUTPUT	1		Double Power Steering		
C05	26	T46320	976053	O-RING (59X70,4X5,7)	1				
C05	27	T46322	8171338	NUT (M60X2)	1			1672160	8171956

Notes

(L) To be coupled together

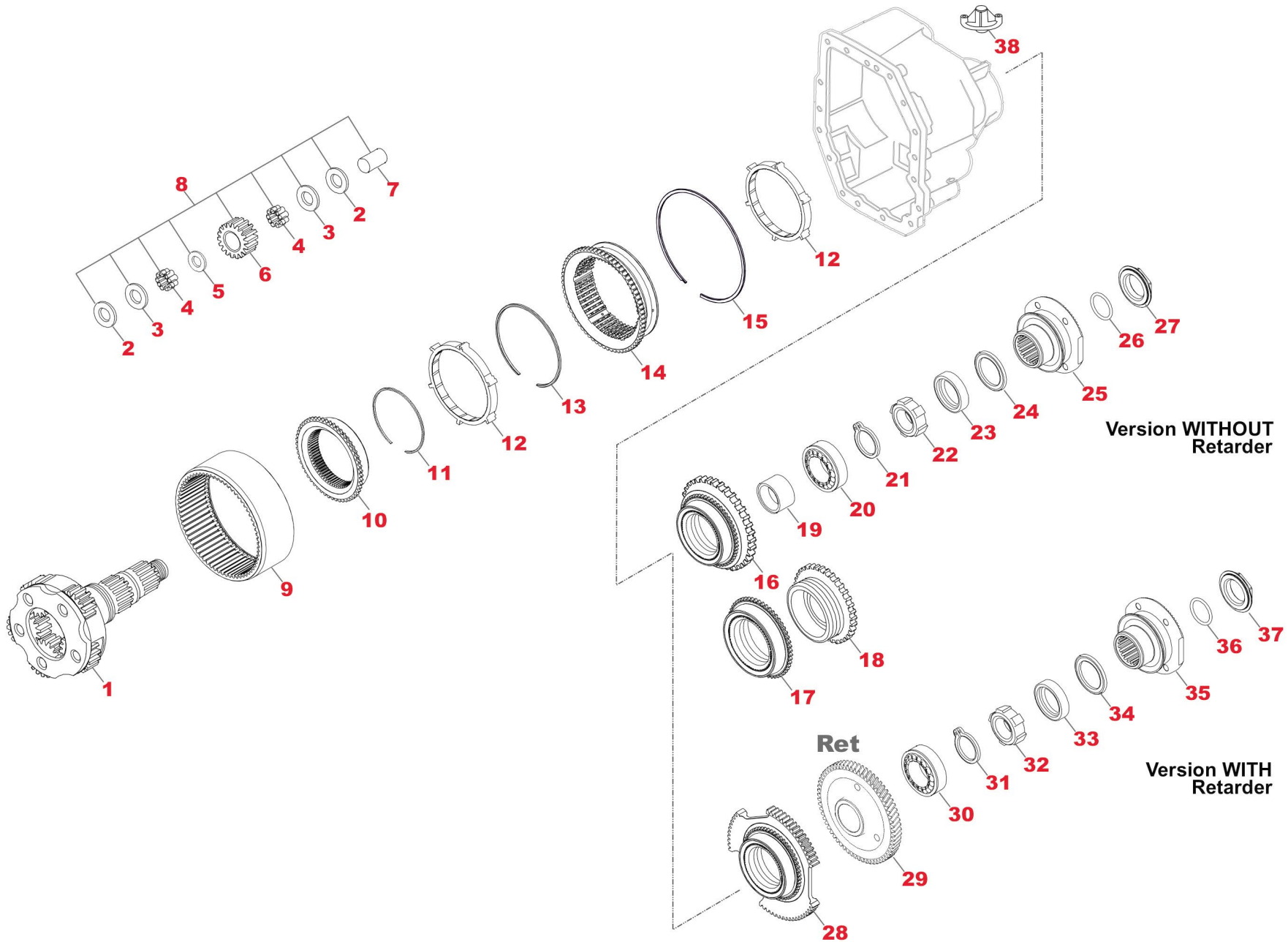
(M) To be coupled together



TRACTOR AUTOMOBILE SPARES
A WORLD OF QUALITY PARTS



VT2814B - VT02814B



CH	FIG.	TAS no.	OEM no.	Description	Qty	Note	Note1	Ex/ Cross	Ex/ Cross
C05	28	T46323	1672262	SYNCHRO CONE (45T.)	1				
C05	29	T46324	1521257	RETARDER GEAR (63T.)	1	(L)			
C05	29	T46325	20873038	RETARDER GEAR	1	(M)			
C05	30	T46306	21170624	BALL BEARING (70X140X26)	1			21001091	1652604
C05	31	T46308	914556	LOCK RING (T.4,00)	1				
C05	31	T46311	1652804	LOCK RING (T.3,90)	1				
C05	31	T46310	1652803	LOCK RING (T.3,80)	1				
C05	31	T46309	1652802	LOCK RING (T.3,70)	1				
C05	32	T46312	3191944	WHEEL SENSOR	1	(L)			
C05	32	T46313	20774242	WHEEL SENSOR	1	(M)			
C05	33	T38580	1652776	OIL SEAL RING (90X145X10)	1	(L)			
C05	33	T46315	20791305	OIL SEAL RING (95X145X10)	1	(M)			
C05	34	T46316	1652622	OIL SEAL RING (90X111X6/8)	1	(L)		1523124	
C05	34	T46317	20791222	OIL SEAL RING (90X111X8)	1	(M)			
C05	35	T46327	8172622	FLANGE OUTPUT	1	(L)			
C05	35	T74193	22238213	FLANGE OUTPUT	1	(M)		21369347	20865939
C05	36	T46320	976053	O-RING (59X70,4X5,7)	1	(L)			
C05	36	T46321	976055	O-RING (69,2X5,7)	1	(M)			

Notes

(L) To be coupled together

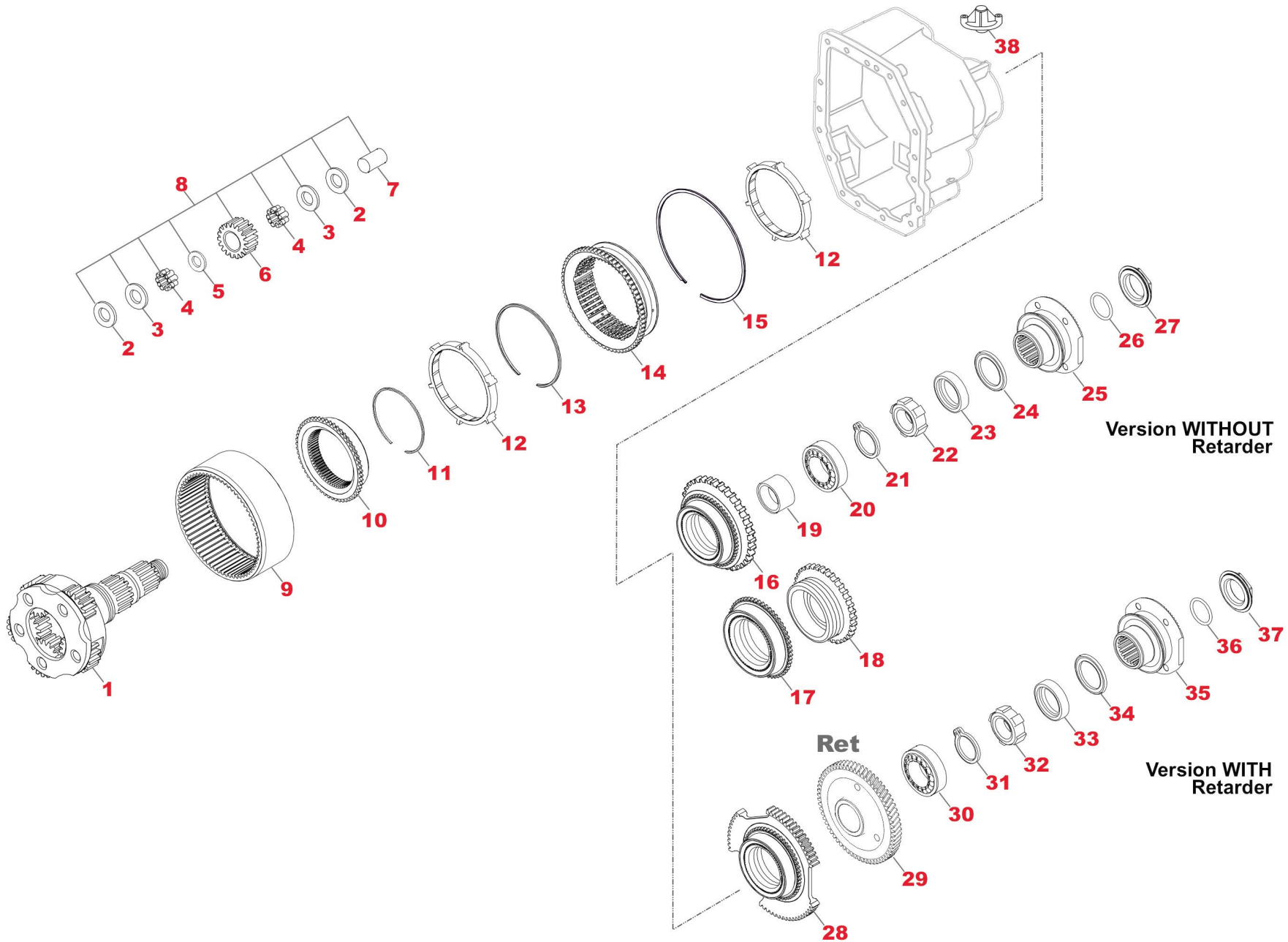
(M) To be coupled together



TRACTOR AUTOMOBILE SPARES
A WORLD OF QUALITY PARTS



VT2814B - VT02814B



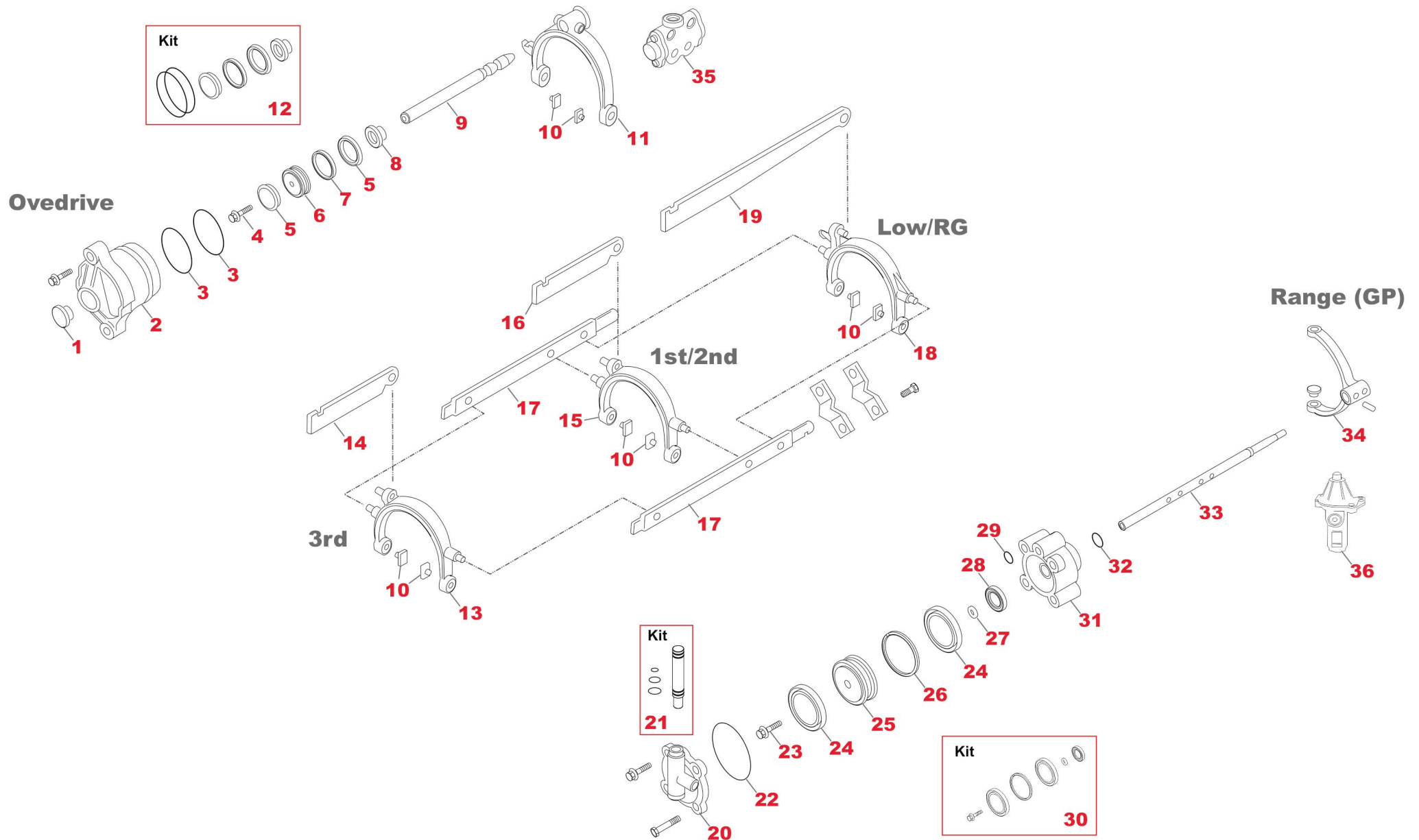
CH	FIG.	TAS no.	OEM no.	Description	Qty	Note	Note1	Ex/ Cross	Ex/ Cross
C05	37	T46322	8171338	NUT (M60X2)	1			1672160	8171956
C05	38	T85510	8172165	COVER	1			8172068	

Notes
(L) To be coupled together
(M) To be coupled together

All original equipment manufacturers' numbers, symbols, pictures, models and description used in this catalogue are for reference only, and it is not implied that any part listed is the product of these manufactures. Tutti i nostri particolari non sono originali ma con essi intercambiabili. I riferimenti originali, le figure, i modelli sono esposti a semplice titolo indicativo. La nostra produzione riporta il nostro marchio.



VT2814B - VT02814B



CH	FIG.	TAS no.	GEM no.	Description	Qty	Note	Note1	Ex/ Cross	Ex/ Cross
C06	1	T78265	20366642	PLUG	1				
C06	2	T59436	1521976	CYLINDER	1			1521587	
C06	3	T51081	976044	O-RING (70X3)	2				
C06	4	T78266	984756	SCREW	1			979864	965186
C06	5	T47148	1669537	OIL SEAL RING (52X64X4,8)	2				
C06	6	T80294	3150146	PISTON	1	(S)	Old Type 9,10 mm		
C06	6	T78267	20761838	PISTON	1	(T)	New Type 8,50 mm		
C06	7	T51083	1069418	SEAL RING (63X59,9X8)	1				
C06	8	T51084	3192302	OIL SEAL RING	1				
C06	9	T78625	1521524	TIE ROD	1	(S)	Old Type		
C06	9	T73103	20761839	TIE ROD	1	(T)	New Type		
C06	10	T10001	382565	SLIDING BLOCK (BRONZE)	8				
C06	11	T46217	1521934	FORK	1				
C06	12	T50210	3092575	OIL SEALS RING KIT	1				
C06	13	T46241	1521517	FORK	1				
C06	14	T41582	1521519	TIE ROD	1				
C06	15	T46242	1521523	FORK	1				
C06	16	T41580	1521516	TIE ROD	1				

Notes

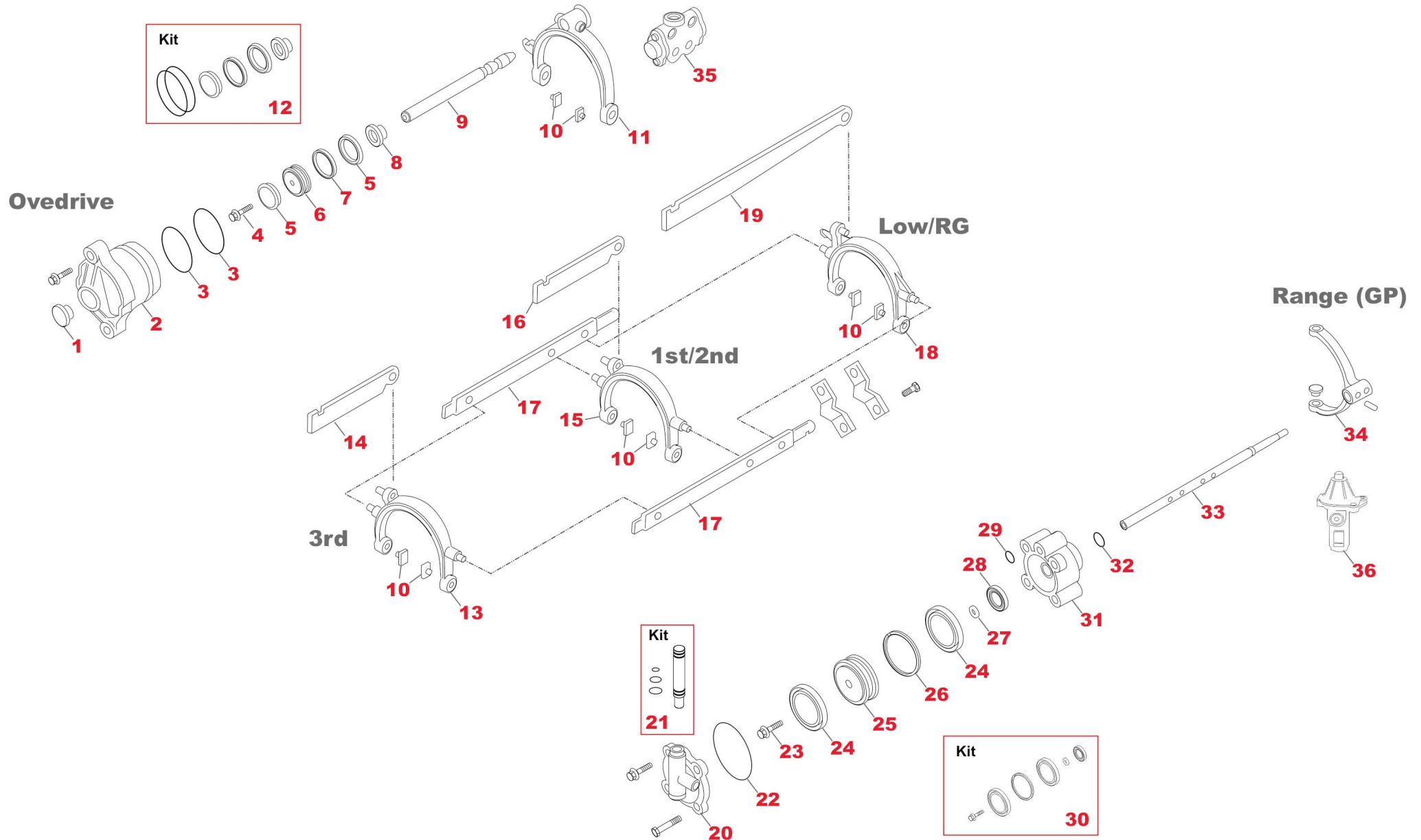
- (S) To be coupled together (Old Version with 9,10 mm Piston)
(T) To be coupled together (New Version with 8,50 mm Piston)



TRACTOR AUTOMOBILE SPARES
A WORLD OF QUALITY PARTS



VT2814B - VT02814B



CH	FIG.	TAS no.	GEM no.	Description	Qty	Note	Note1	Ex/ Cross	Ex/ Cross
C06	17	T41579	1521935	TIE ROD	2				
C06	18	T46243	1521932	FORK REVERSE	1				
C06	19	T41581	1521936	TIE ROD	1				
C06	20	T55939	21450362	VALVE	1			20590252	20366720
C06	21	T48443	3092513	REPAIR KIT	1				
C06	22	T55941	3094588	O-RING	1				
C06	23	T78266	984756	SCREW	1			979864	965186
C06	24	T47328	3192614	OIL SEAL RING (91X74,8X5,5)	2				
C06	25	T47345	1521943	PISTON	1				
C06	26	T47369	20365523	SEAL RING	1				
C06	27	T47341	466922	O-RING (12,3X2,4)	1				
C06	28	T47359	1652751	OIL SEAL RING (28X39X9/11)	1				
C06	29	T47153	968617	O-RING (7,1X1,6)	1				
C06	30	T47348	3093230	OIL SEALS RING KIT	1			3092050	276820
C06	31	T47057	1656239	CYLINDER	1				
C06	32	T47342	949659	O-RING (34X3)	1				
C06	33	T48268	1521944	TIE ROD	1		Models W/OUT Retarder		
C06	33	T55942	1521956	TIE ROD	1		Models WITH Retarder		

Notes

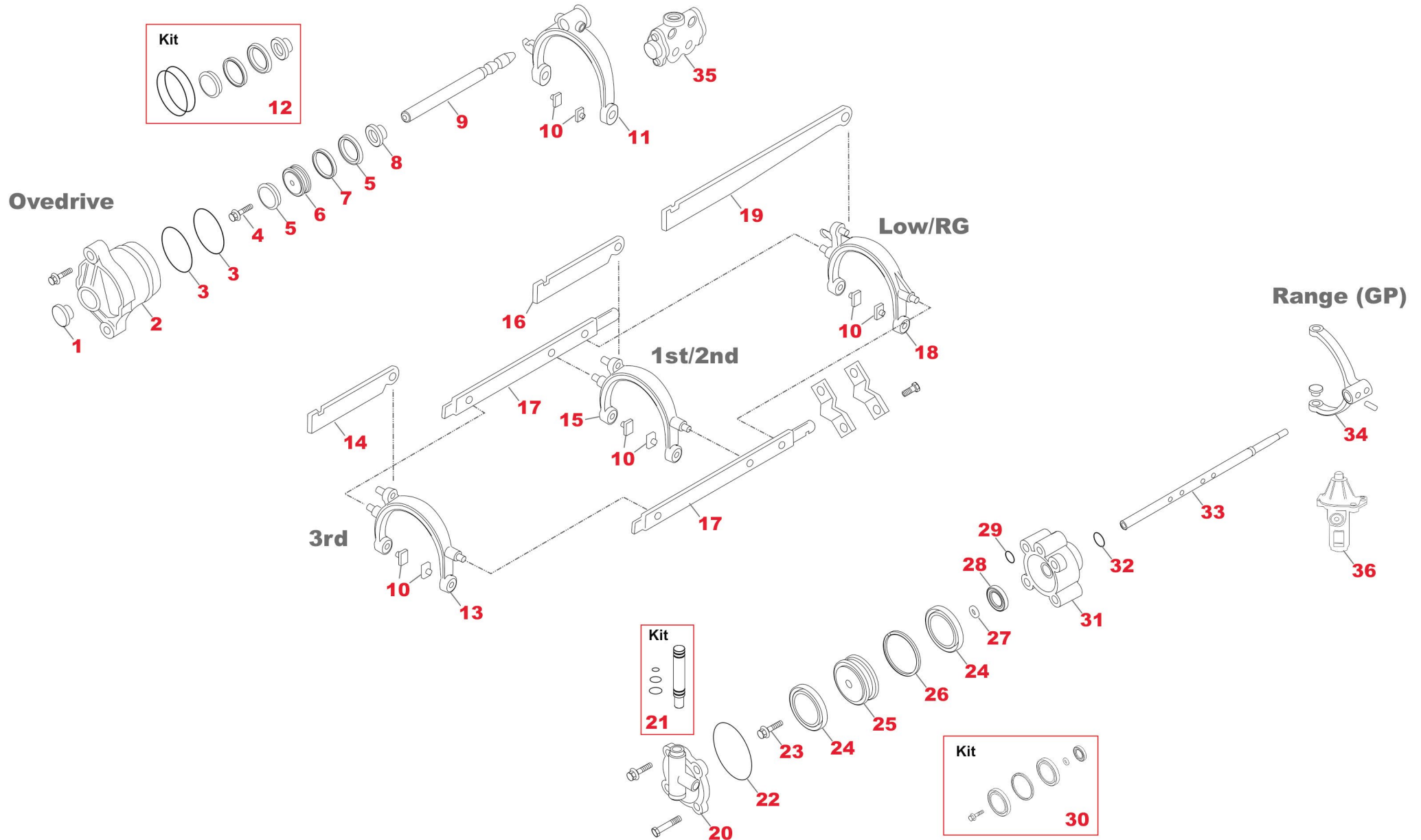
- (S) To be coupled together (Old Version with 9,10 mm Piston)
(T) To be coupled together (New Version with 8,50 mm Piston)



TRACTOR AUTOMOBILE SPARES
A WORLD OF QUALITY PARTS



VT2814B - VT02814B



CH	FIG.	TAS no.	GEM no.	Description	Qty	Note	Note1	Ex/ Cross	Ex/ Cross
C06	34	T46329	1652919	FORK	1		Assy With Roller		
C06	35	T59424	20775173	VALVE	1	VT		21740038	8171247
C06	35	T78269	20775168	VALVE	1	VTO		8171245	
C06	36	T63664	1672231	VALVE	1				

Notes

(S) To be coupled together (Old Version with 9,10 mm Piston)
(T) To be coupled together (New Version with 8,50 mm Piston)

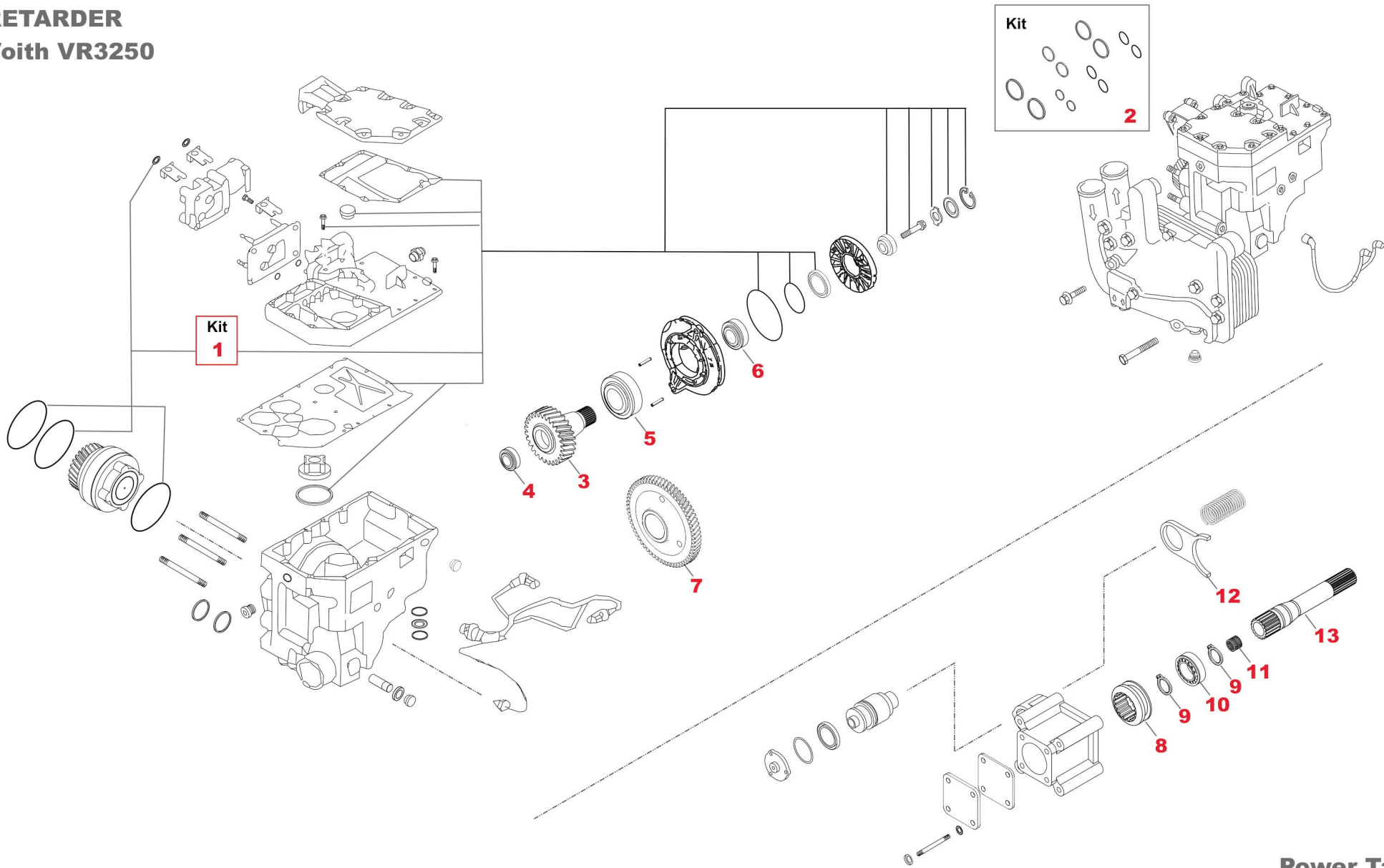


All original equipment manufacturers' numbers, symbols, pictures, models and description used in this catalogue are for reference only, and it is not implied that any part listed is the product of these manufactures.
Tutti i nostri particolari non sono originali ma con essi intercambiabili. I riferimenti originali, le figure, i modelli sono esposti a semplice titolo indicativo. La nostra produzione riporta il nostro marchio.



VT2814B - VT02814B

RETARDER Voith VR3250



P.T.O.
Power Take Off

CH	FIG.	TAS no.	OEM no.	Description	Qty	Note	Note1	Ex/ Cross	Ex/ Cross
C07	1	T84066	1530 0046 010	GASKET KIT VOITH RETARDER VR3250 FOR I-SHIFT	1				
C07	2	T76020	8171156	O-RING KIT	1				
C07	3	T81915	67.1153.15	SHAFT VOITH RETARDER VR3250 FOR I-SHIFT	1				
C07	4	T41636	H53054513	NEEDLE BEARING	1			67.2996.10	
C07	5	T41634	1900 1001 810	NEEDLE BEARING ROLLER(60X130X31)	1			NJ312EM.C3	
C07	6	T41635	1900 0874 410	NEEDLE BEARING (40X90X23)	1			QJ 308	
C07	7	T46324	1521257	RETARDER GEAR (63T.)	1				
C07	7	T46325	20873038	RETARDER GEAR	1				
C07	8	T55314	1667266	SLIDING SLEEVE (16T.)	1				
C07	9	T47737	914472	SEEGER RING (T.2,00)	2				
C07	10	T94020	1655380	BEARING (50X90X23)	1				
C07	11	T41731	1655383	ROLLER BEARING (30X35X13)	1			1655383	
C07	12	T41633	1653858	FORK	1				
C07	13	T51549	1653840	SHAFT P.T.O.	1		Models W/Out Retarder		
C07	13	T73364	1672126	SHAFT P.T.O.	1		Models With Retarder		

Notes



TRACTOR AUTOMOBILE SPARES
A WORLD OF QUALITY PARTS

VL-CT-004



GEARBOX AND DIFFERENTIAL SPARE PARTS

Sede Amministrativa / Head Office

Via Argine, 306, 80147

Napoli (Italy)

Tel: +39 081 7520645

Fax: +39 081 7529475

email: web@tas-spa.com

<http://www.tas-spa.com>

Stabilimento Produttivi / Production Plant

Via Dell'Industria, 1

Argelato- Bologna (Italy)

Tel: +39 051 758154

Fax: +39 051 732707

email: web@tas-spa.com

<http://www.tas-spa.com>

www.tas-spa.com